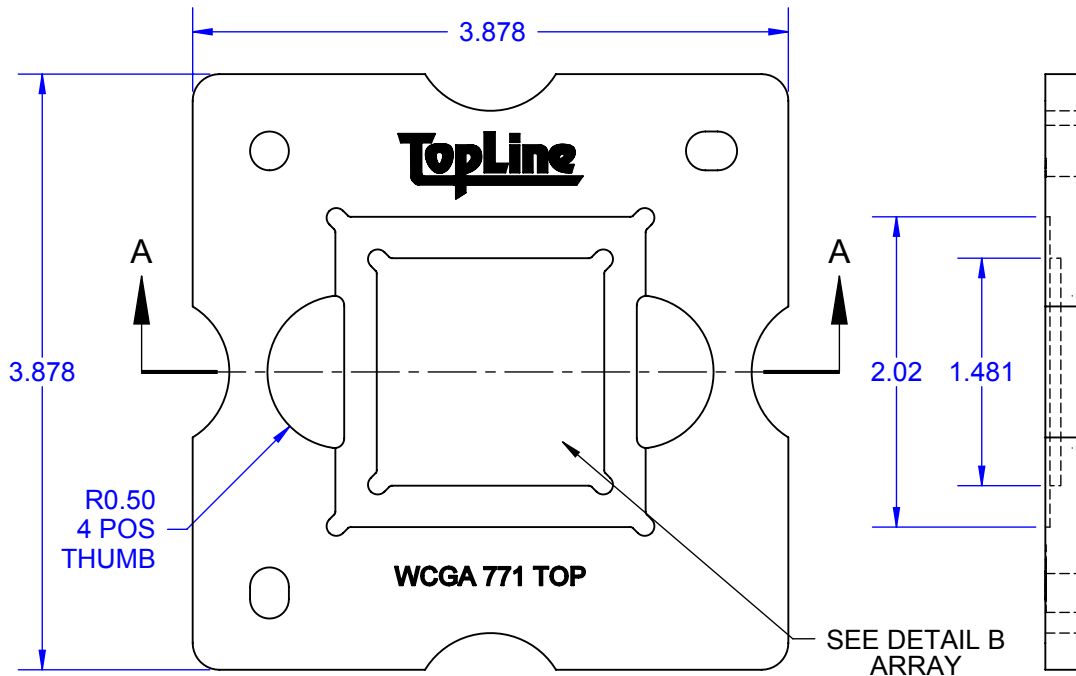
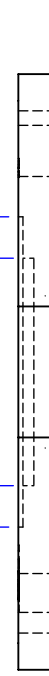


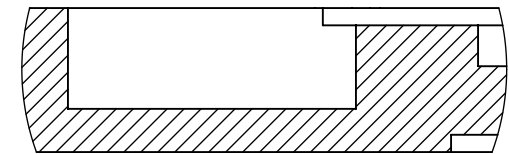
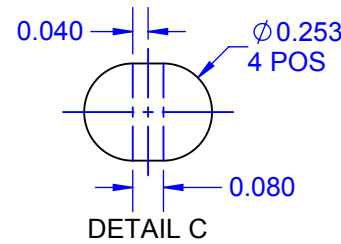
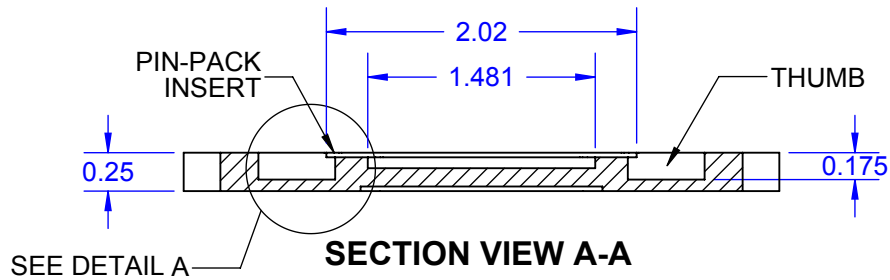
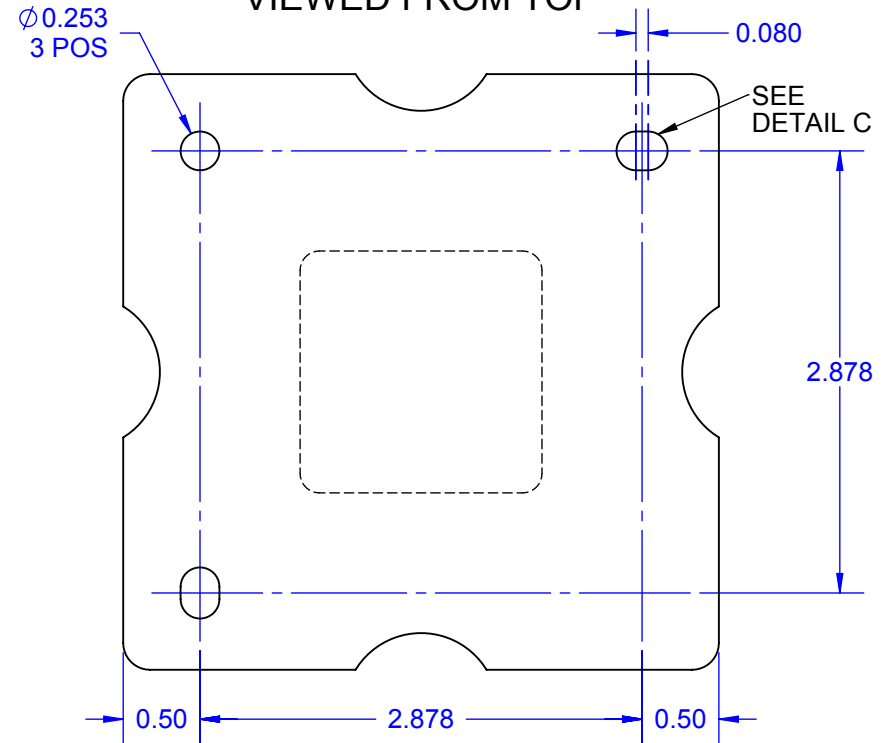
**TOP GRAPHITE  
TOP SIDE**



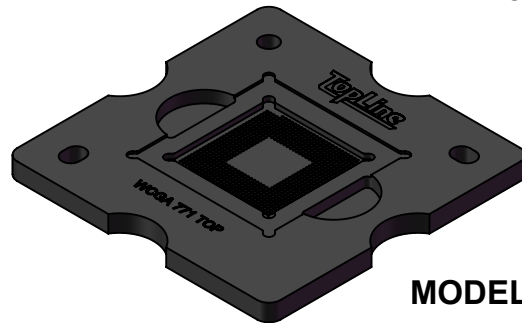
**EDGE**



**TOP GRAPHITE  
BOTTOM SIDE  
VIEWED FROM TOP**



**DETAIL A  
SCALE 3 : 1**



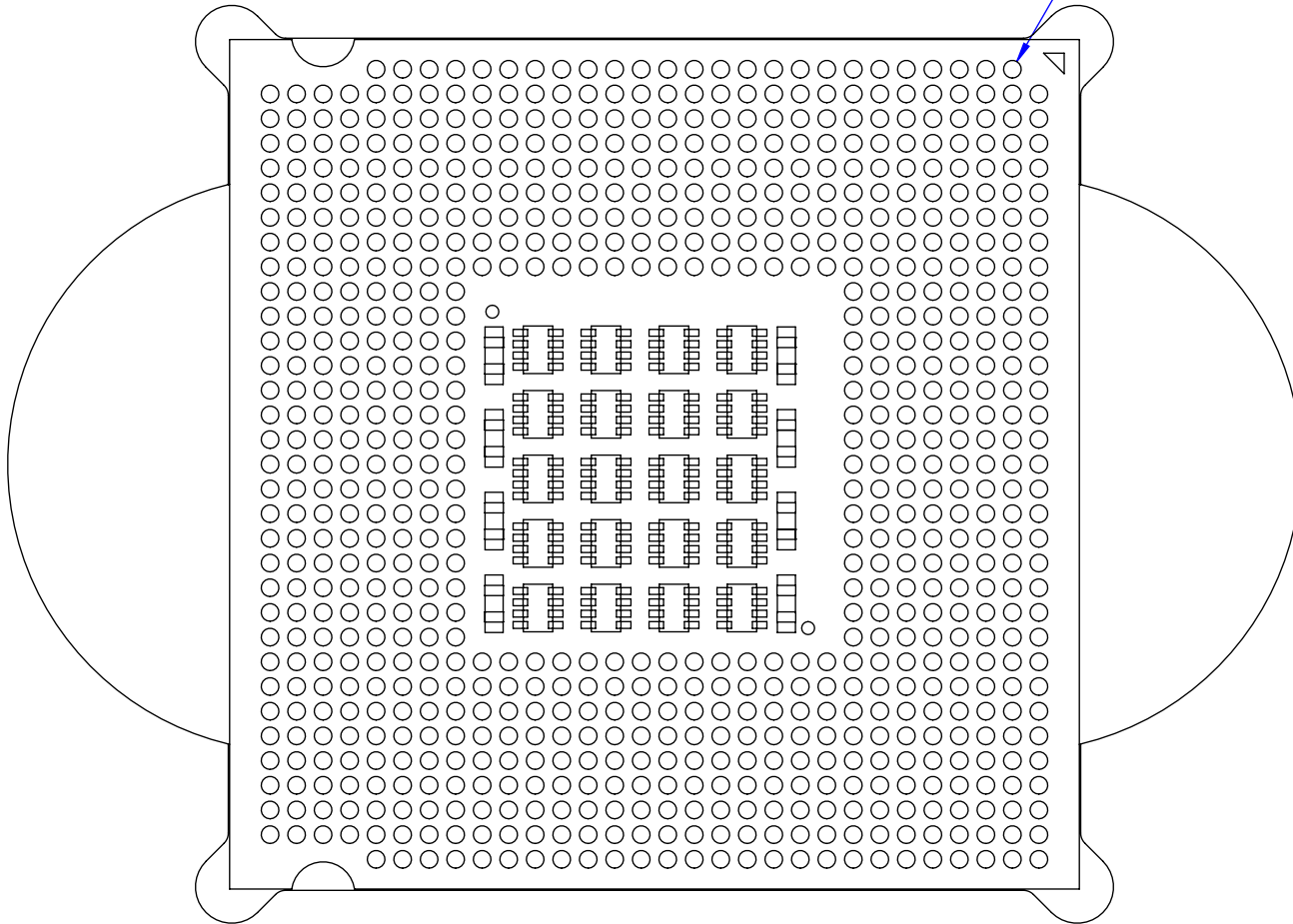
**MODEL**

**NOTES:**  
1. DIMENSIONS in INCHES.

APPROVALS	DATE	<b>TopLine®</b>			
DRAWN T.Au	12/22/14				
ENG M. Hart	12/22/14	TITLE <b>C7-GRAPHITE-771A COLUMN ATTACHMENT TOOLS</b>			
MFG		SCALE	SIZE	DRAWING NO.	REV
QA		1:1.25	A	793383	A
CUST		DO NOT SCALE DRAWING			SHEET 1 OF 7
REVISED					

**DETAIL B  
ARRAY  
30x33 MATRIX**

LGA PADS  $\phi 0.031$   
ARRAY  $\phi 0.0255$   
771 POS



**TopLine®**

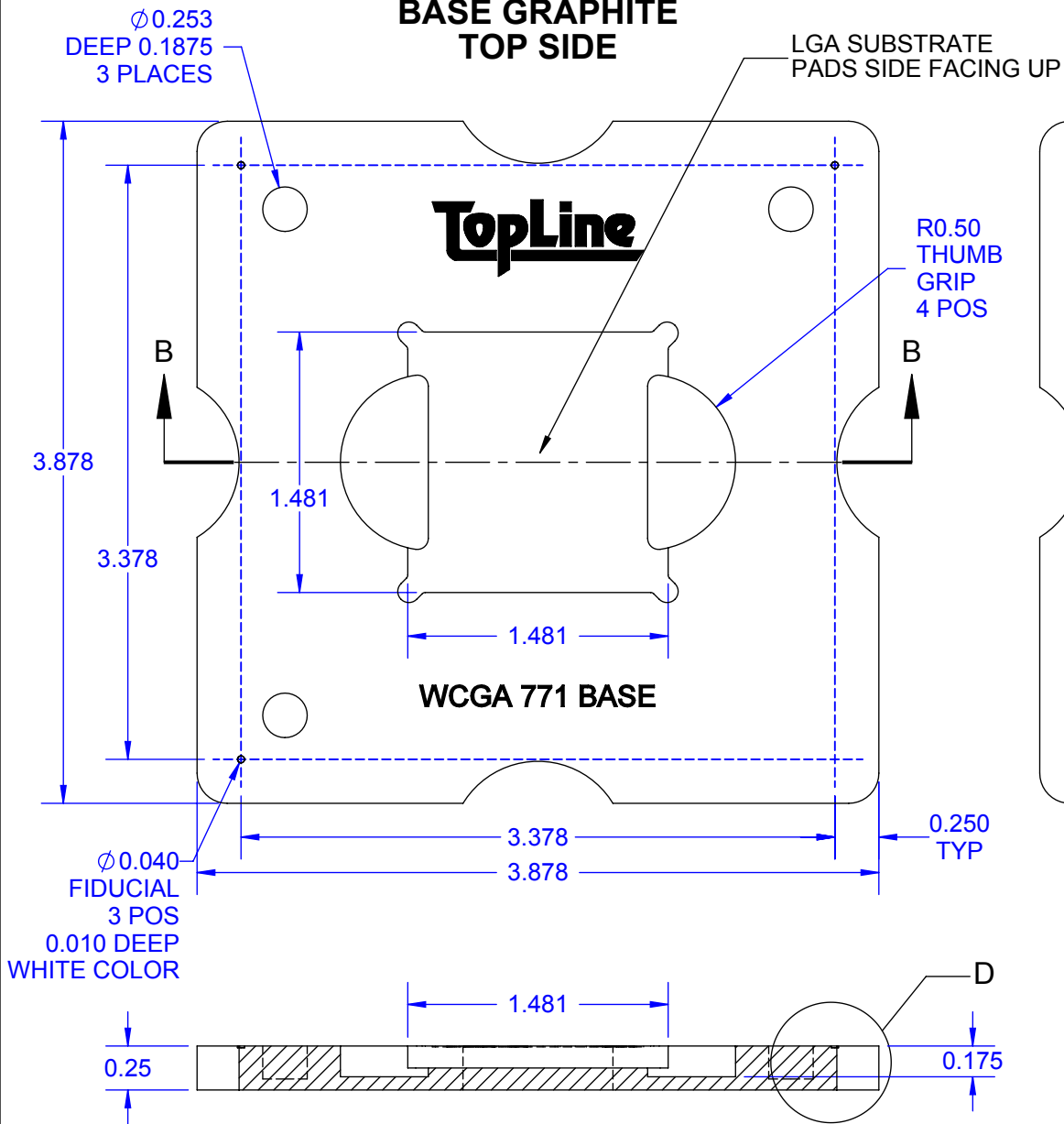
TITLE C7-GRAPHITE-771A  
COLUMN ATTACHMENT TOOLS

SCALE 2:1	SIZE A	DRAWING NO. 793383	REV A
--------------	-----------	-----------------------	----------

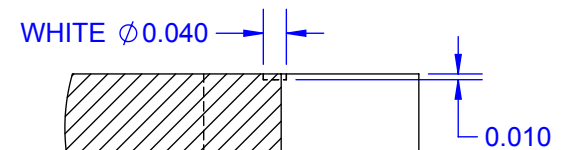
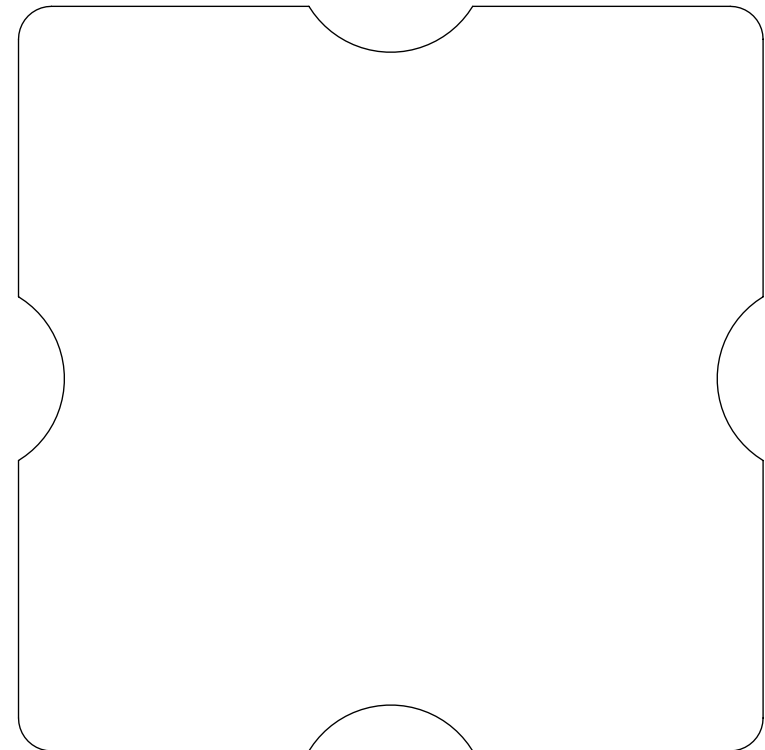
DO NOT SCALE DRAWING

SHEET 2 OF 7

**BASE GRAPHITE  
TOP SIDE**



**BASE GRAPHITE  
BOTTOM SIDE**



FIDUCIAL - DETAIL D  
SCALE 3:1

NOTES:  
1. DIMENSIONS in INCHES.

**TopLine®**

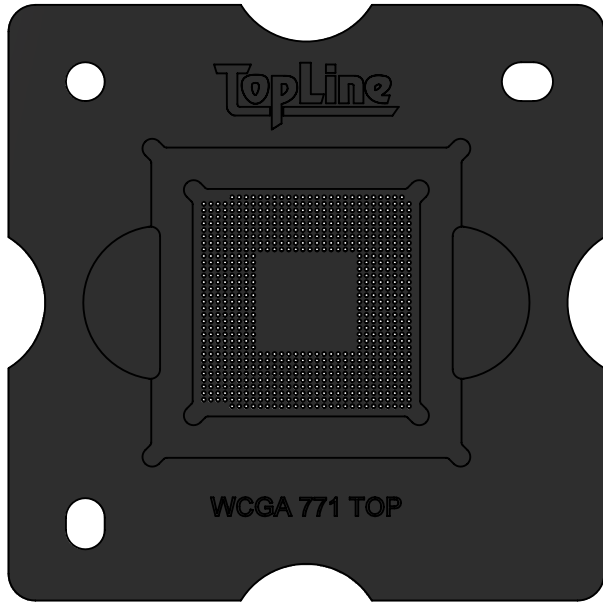
TITLE C7-GRAPHITE-771A  
COLUMN ATTACHMENT TOOLS

SCALE 1:1	SIZE A	DRAWING NO. 793383	REV A
--------------	-----------	-----------------------	----------

DO NOT SCALE DRAWING

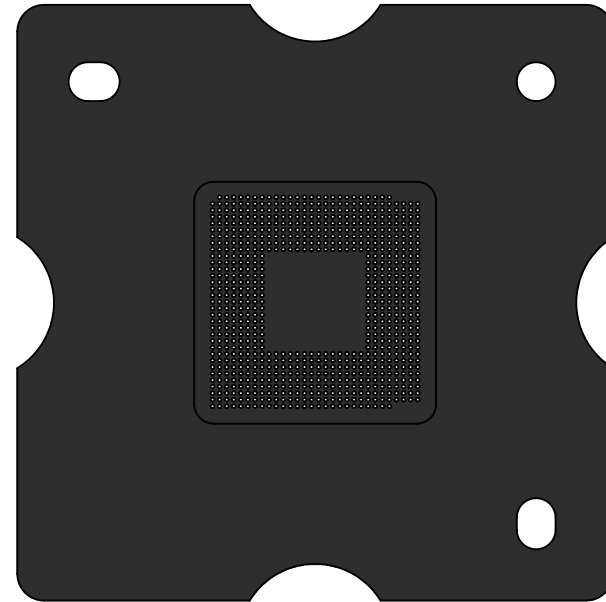
SHEET 3 OF 7

UPPER GRAPHITE  
TOP SIDE  
SHOWN WITHOUT PIN-PACK™

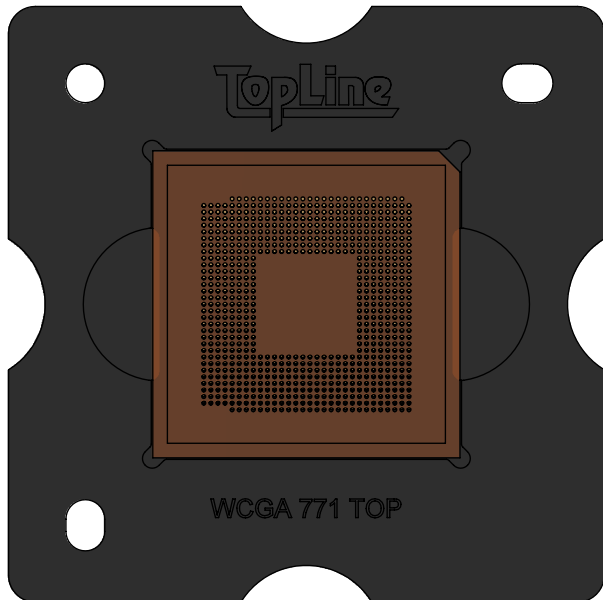


MODELS

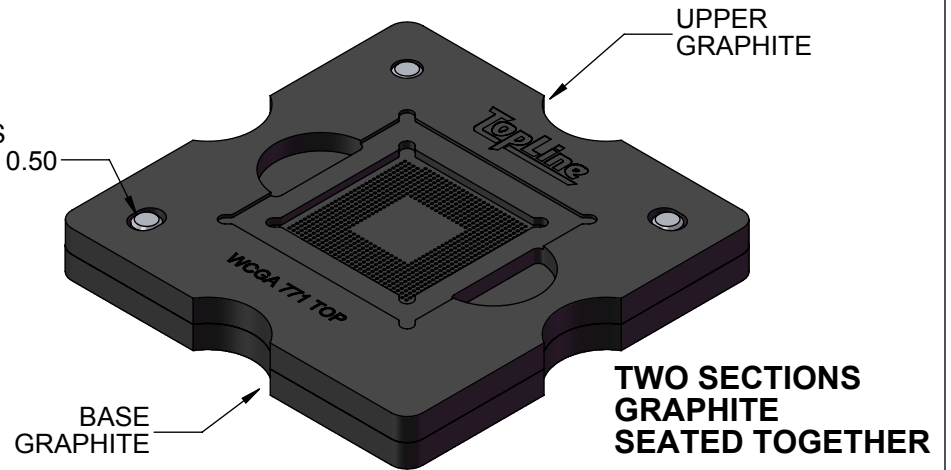
UPPER GRAPHITE  
BOTTOM VIEW  
RIGHT READING



UPPER GRAPHITE  
TOP SIDE  
SHOWN WITH PIN-PACK™



3x PEGS  
0.2945 x 0.50



**TopLine**®

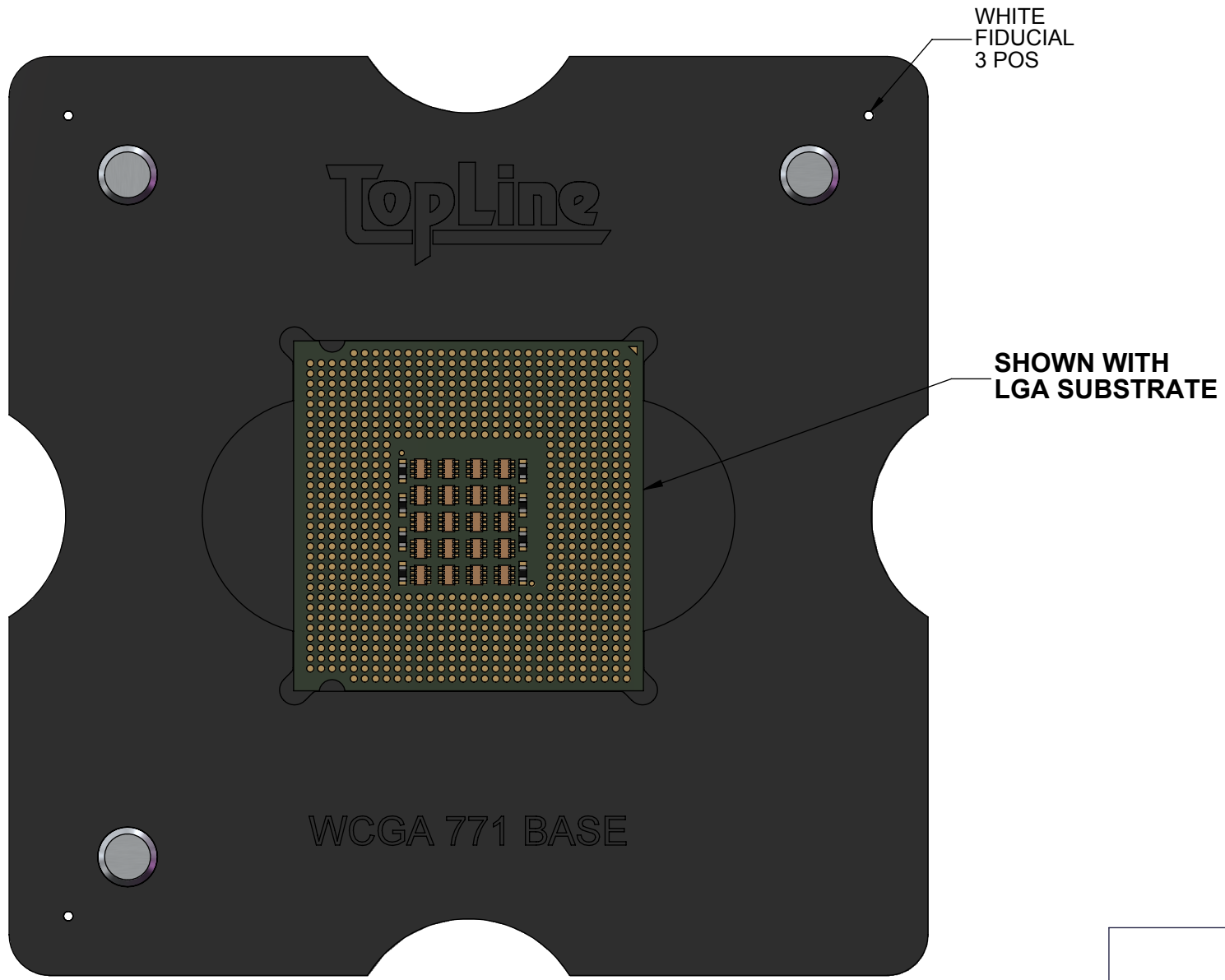
TITLE C7-GRAPHITE-771A  
COLUMN ATTACHMENT TOOLS

SCALE 1:1.25	SIZE A	DRAWING NO. 793383	REV A
-----------------	-----------	-----------------------	----------

DO NOT SCALE DRAWING

SHEET 4 OF 7

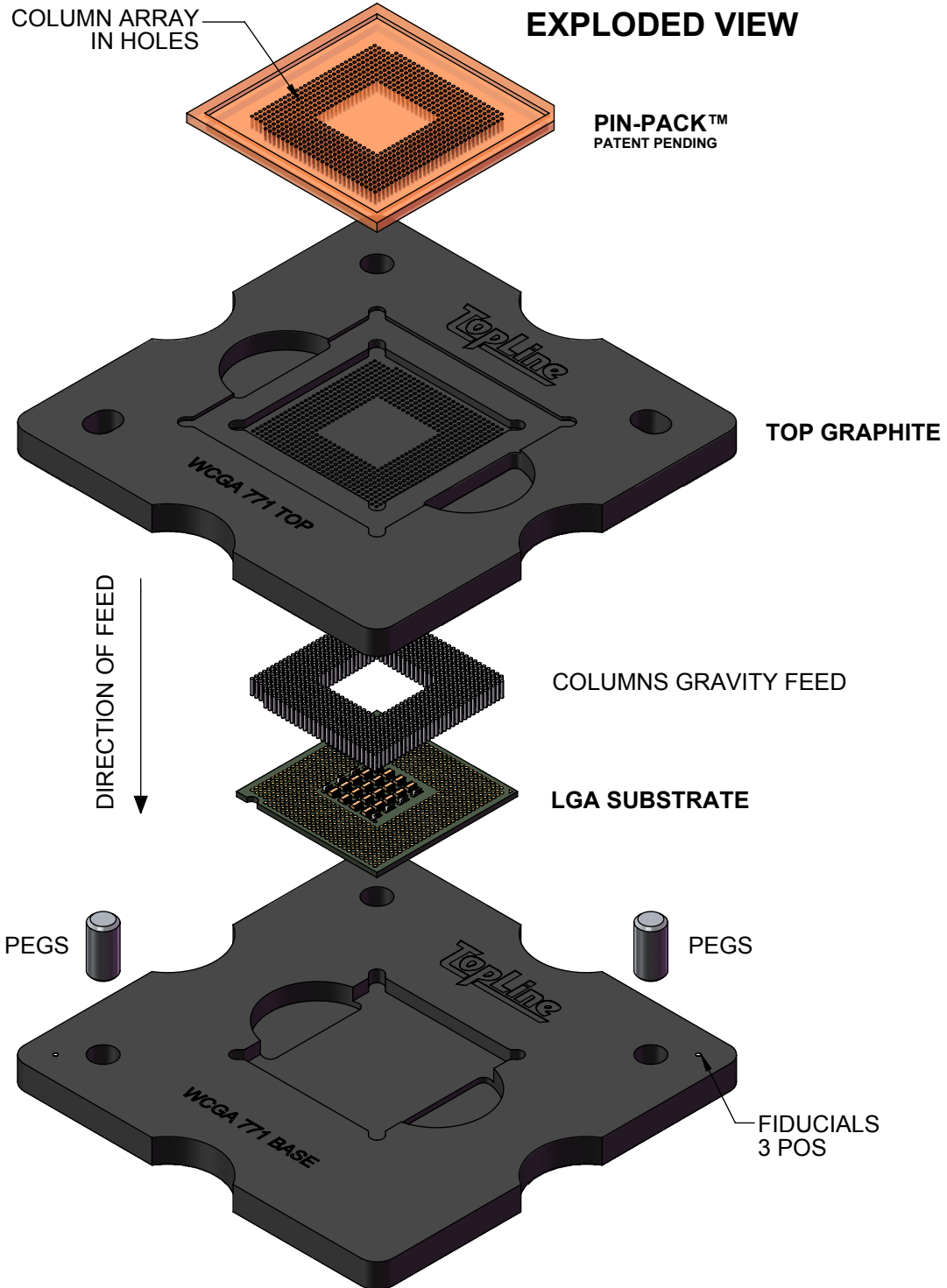
# BASE GRAPHITE TOP SIDE



NOTE 1. APPLY SOLDER PASTE TO SUBSTRATE PADS BEFORE COVERING WITH TOP GRAPHITE.

<b>TopLine<sup>®</sup></b>			
TITLE      C7-GRAPHITE-771A COLUMN ATTACHMENT TOOLS			
SCALE	SIZE	DRAWING NO.	REV
2:1	A	793383	A
DO NOT SCALE DRAWING			SHEET 5 OF 7

# EXPLODED VIEW



<b>TopLine®</b>			
TITLE C7-GRAPHITE-771A COLUMN ATTACHMENT TOOLS			
SCALE 1:1.25	SIZE A	DRAWING NO. 793383	REV A
DO NOT SCALE DRAWING			SHEET 6 OF 7

**TOOL PART NUMBERS & ACCESSORIES**

MODEL NUMBER	DESCRIPTION	LGA X/Y SIZE	LGA DEPTH	PAD MATRIX	PITCH	DWG
C7-GRAPHITE-771A	GRAPHITE SET	37.5mm SQ 1.477-inch	4.0414mm 0.159-inch	30x33	1.17/1.09mm	793383
C7-BASE-771A	GRAPHITE BOTTOM	37.5mm SQ 1.477-inch	4.0414mm 0.159-inch	ALL	ALL	337403
C7-TOP-771A	GRAPHITE TOP	37.5mm SQ 1.477-inch	ALL	30x33	1.17/1.09mm	593383
C7-PEG	ALIGNMENT PEG	6.3 x 1.27mm 0.25 x 0.50-inch	ALL	ALL	ALL	702550
PP83C771Y20x150	Pin-Pack Pb80/Sn20 Copper	0.51 x 3.18mm 0.020 x 0.150-inch	ALL	30x33	1.17/1.09mm	839333
PP83C771Y18x150	Pin-Pack Pb80/Sn20 Copper	0.46 x 3.18mm 0.018 x 0.150-inch	ALL	30x33	1.17/1.09mm	839334
PP90U771Y20x150	Pin-Pack Pb90/Sn10	0.51 x 3.18mm 0.020 x 0.150-inch	ALL	30x33	1.17/1.09mm	909333
PP94E771Y20x150	Pin-Pack Pb90/Sn10 Copper	0.51 x 3.18mm 0.020 x 0.150-inch	ALL	30x33	1.17/1.09mm	949333
PP94E771Y18x150	Pin-Pack Pb90/Sn10 Copper	0.46 x 3.18mm 0.018 x 0.150-inch	ALL	30x33	1.17/1.09mm	949334

**TopLine®**

TITLE C7-GRAPHITE-771A  
COLUMN ATTACHMENT TOOLS

SCALE NONE	SIZE A	DRAWING NO. 793383	REV A
---------------	-----------	-----------------------	----------

DO NOT SCALE DRAWING

SHEET 7 OF 7