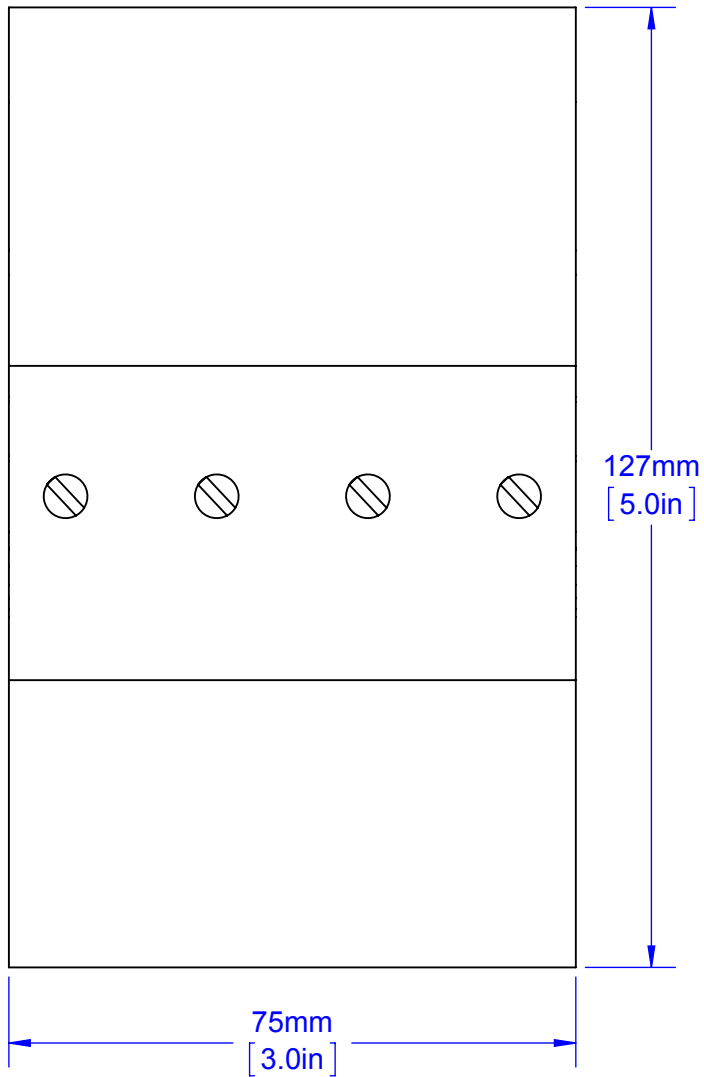
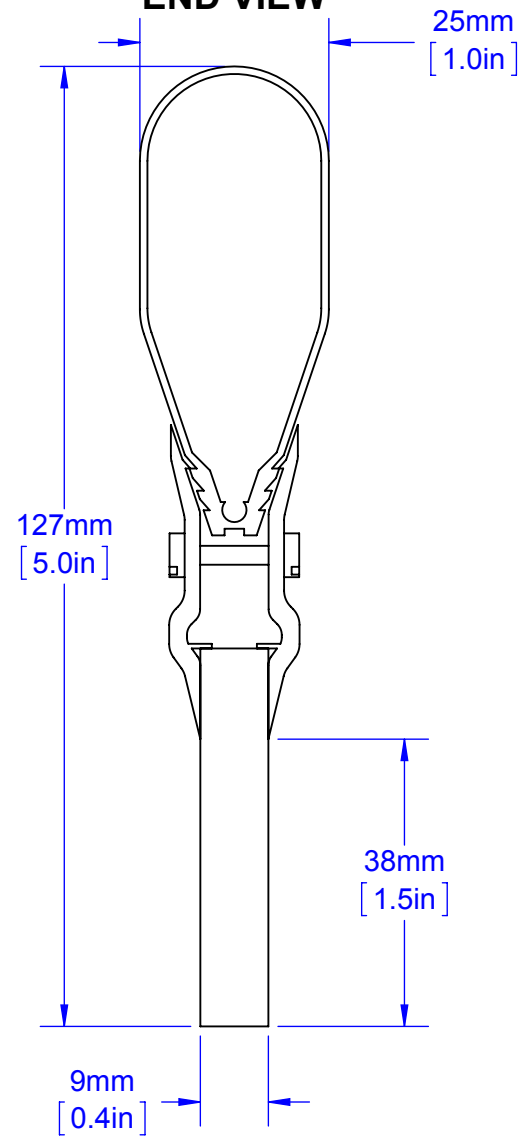


FRONT VIEW



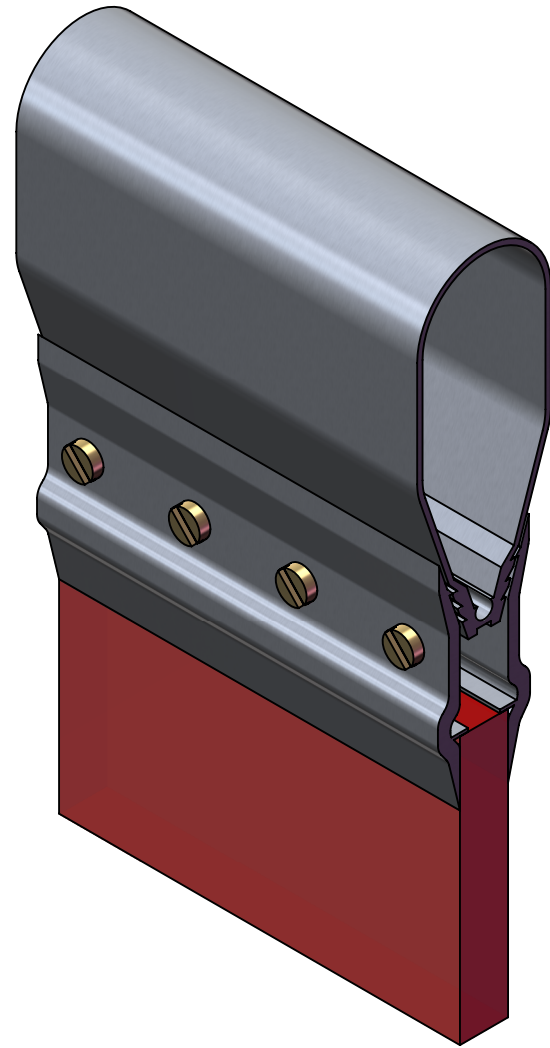
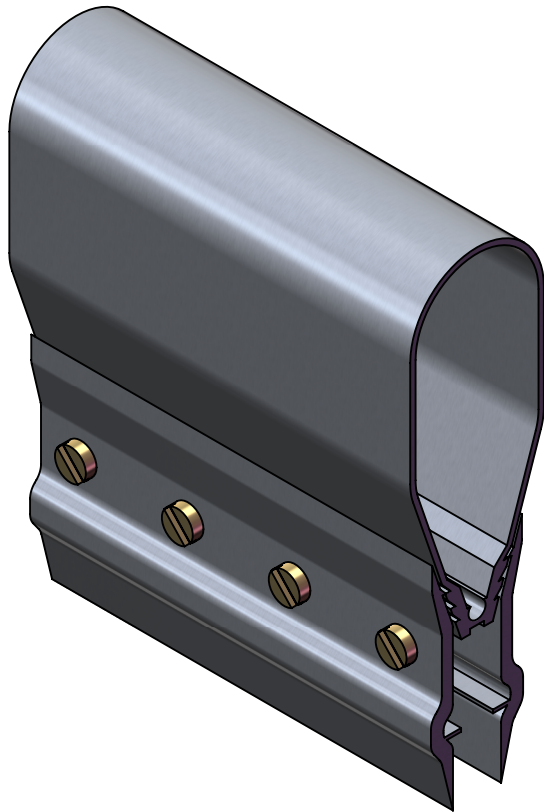
END VIEW



PART NUMBER TABLE		
PART NUMBER	DUROMETER	DRAWING
C7-SQUEEGEE-1A	90	703001
C7-SQUEEGEE-3A	75/90/75	700303

APPROVALS	DATE	TopLine®			
DRAWN T. Au	07/18/15				
ENG M. Hart	07/18/15	TITLE C7-SQUEEGEE 3" (75mm) BLADE			
MFG		SCALE	SIZE	DRAWING NO.	REV
QA		1:1	A	703000	A
CUST		DO NOT SCALE DRAWING			SHEET 1 OF 2
REVISED					

MODELS



APPROVALS	DATE	TopLine®			
DRAWN T. Au	07/18/15				
ENG M. Hart	07/18/15	TITLE C7-SQUEEGEE 3" (75mm) BLADE			
MFG					
QA		SCALE	SIZE	DRAWING NO.	REV
CUST		1:1	A	703000	A
REVISED		DO NOT SCALE DRAWING			SHEET 2 OF 2