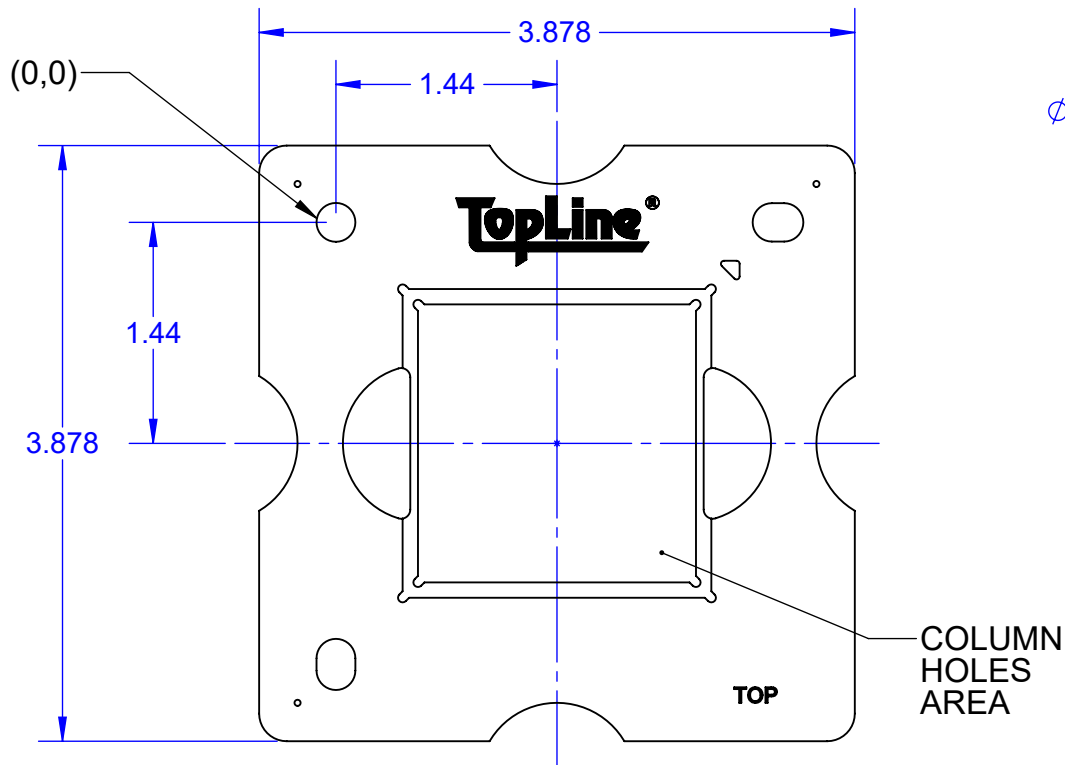
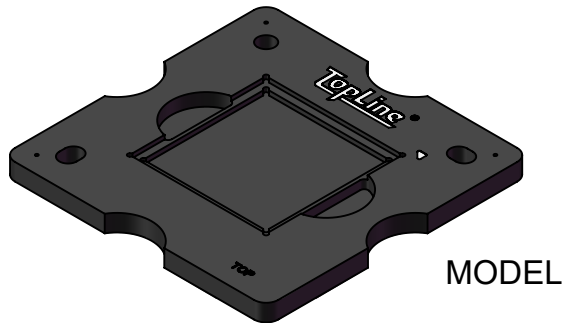
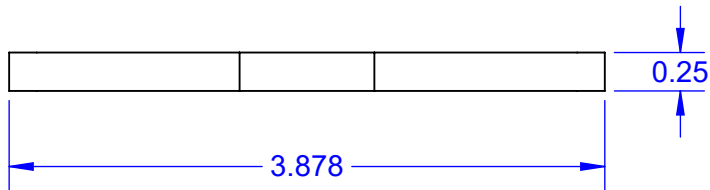
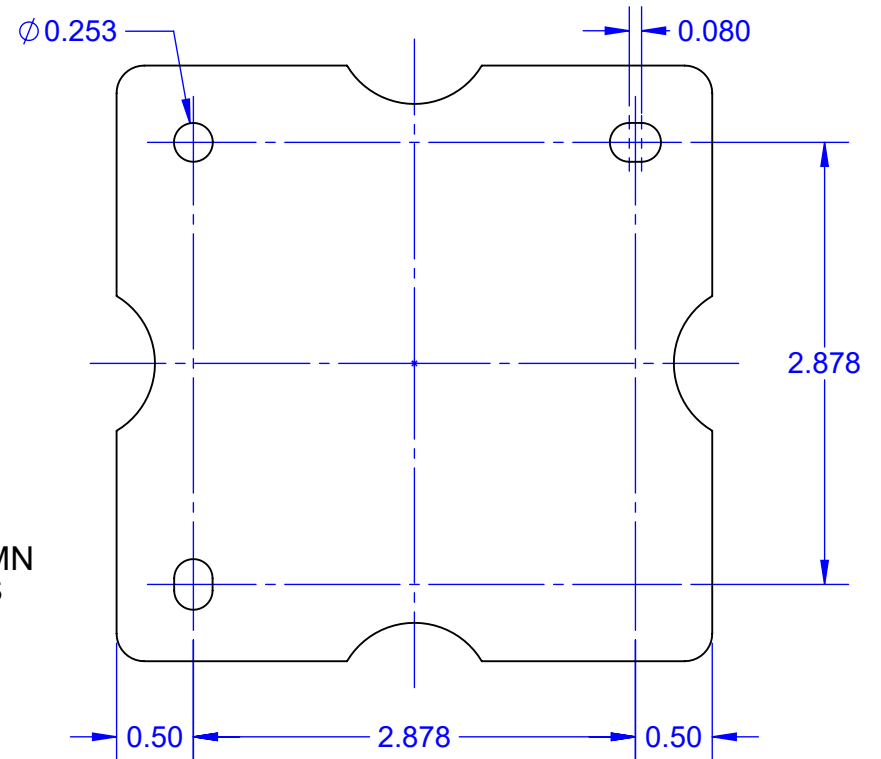


**UPPER GRAPHITE
TOP SIDE**



**UPPER GRAPHITE
BOTTOM SIDE
VIEWED FROM TOP**

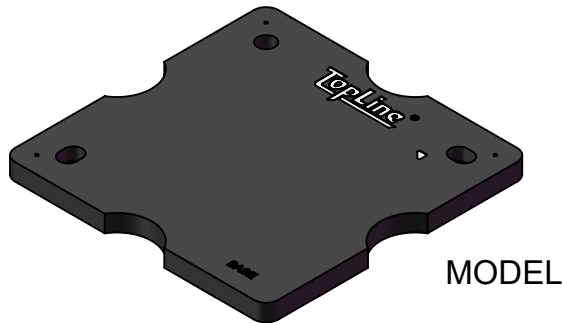
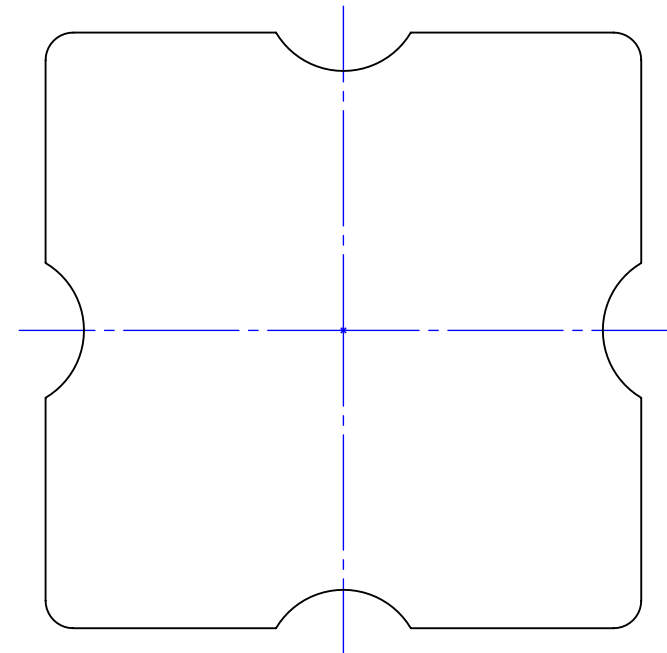
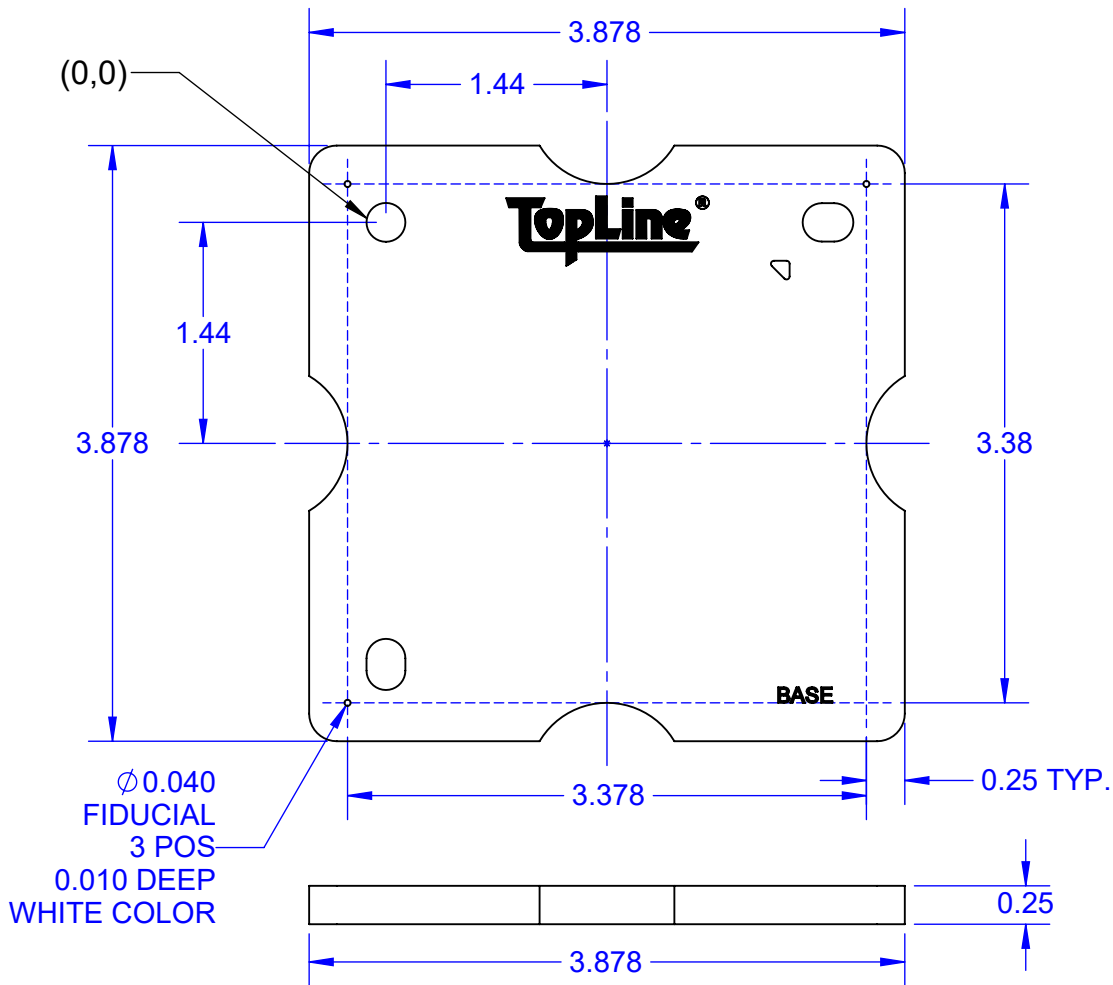


MODEL

| | | | | | |
|-------------|----------|----------------------|-----------|-----------------------|--------------|
| APPROVALS | DATE | TopLine® | | | |
| DRAWN T. Au | 09/19/15 | | | | |
| ENG M. Hart | 09/19/15 | TITLE CCGA TOP | | | |
| MFG | | SCALE 1:1.25 | SIZE A | DRAWING NO. 790000 | REV B |
| QA | | | | | |
| CUST | | DO NOT SCALE DRAWING | | | SHEET 1 OF 2 |
| REVISED | | | | | |

**BASE GRAPHITE
TOP SIDE**

**BASE GRAPHITE
BOTTOM SIDE**



MODEL

| | | | |
|----------------------|------|-------------|--------------|
| TopLine® | | | |
| TITLE | | CCGA BOTTOM | |
| SCALE | SIZE | DRAWING NO. | REV |
| 1:1.25 | A | 790000 | B |
| DO NOT SCALE DRAWING | | | SHEET 2 OF 2 |