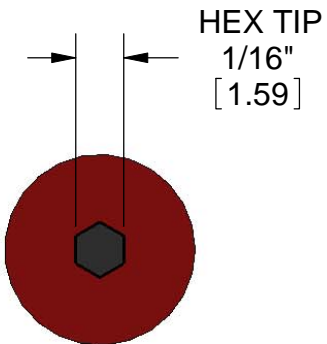
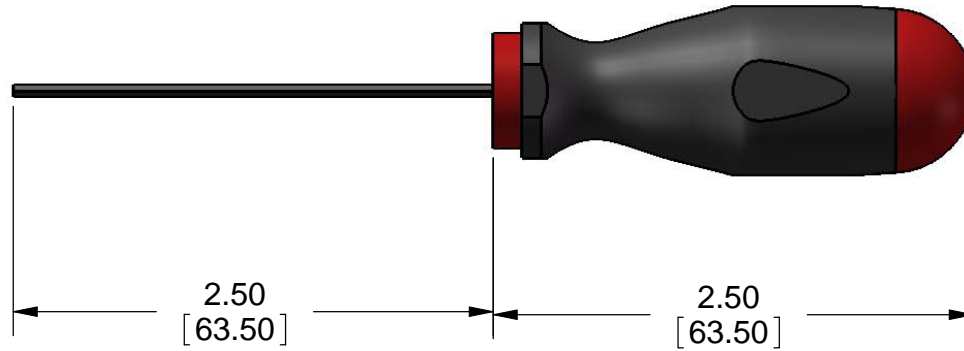
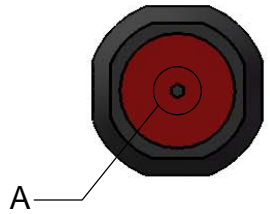
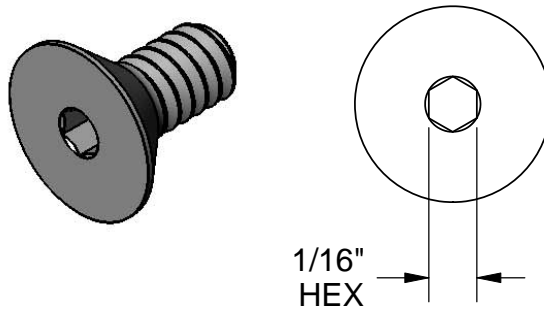


SCREW DRIVER
HEX 1-16



HEX TIP
1/16"
[1.59]

EXAMPLE SCREW
HEX 1/16"
SCALE = 4:1



1/16"
HEX

DETAIL A
SCALE 4 : 1

NOTES: (UNLESS OTHERWISE SPECIFIED).
1) DIMENSIONS: INCH [MM].

APPROVALS	DATE	TopLine [®]			
DRAWN J. Hines	6/12/16				
ENG M. Hart	6/12/16	TITLE		SCREW DRIVER HEX TIP 1/16"	
MFG		SCALE 1:1	SIZE A	DRAWING NO. 704000	REV A
QA			DO NOT SCALE DRAWING		SHEET 1 OF 1
CUST					
REVISED					