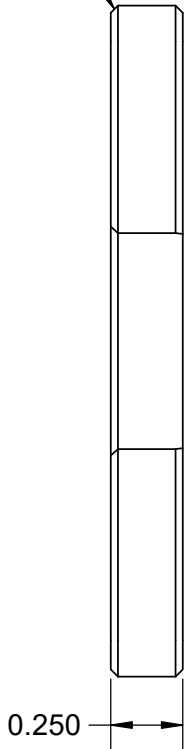
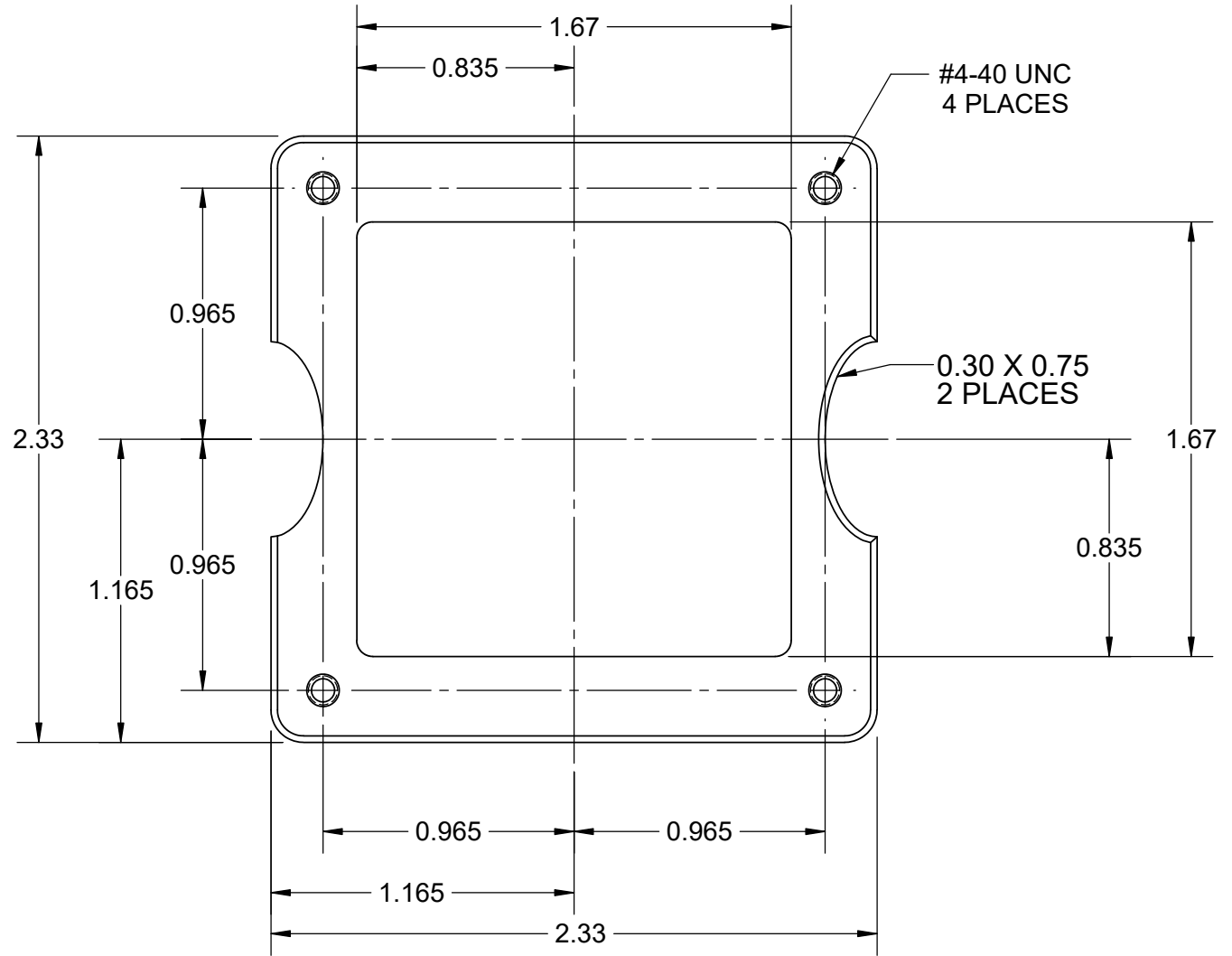


SIDE VIEW

0.025 X 45.00°  
2 PLACES

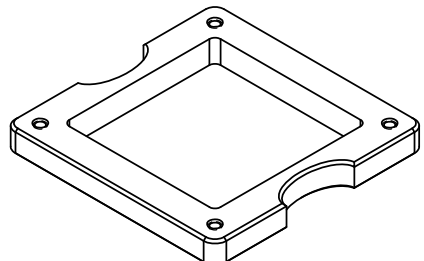


TOP VIEW




#4-40 UNC  
4 PLACES

0.30 X 0.75  
2 PLACES



MODEL VIEW  
SCALE= 2:3

NOTES: (UNLESS OTHERWISE SPECIFIED).  
1) DIMENSIONS: INCH.  
2) MATERIAL: ALUMINUM.

APPROVALS		DATE				
DRAWN J. Hines		3/18/2010				
ENG M. Hart		3/18/2010	TITLE ALUMINUM FRAME			
MFG			2.33" SQ			
QA			SCALE 3:2	SIZE A	DRAWING NO. 030006	REV A
CUST			DO NOT SCALE DRAWING			SHEET 1 OF 1
REVISED						