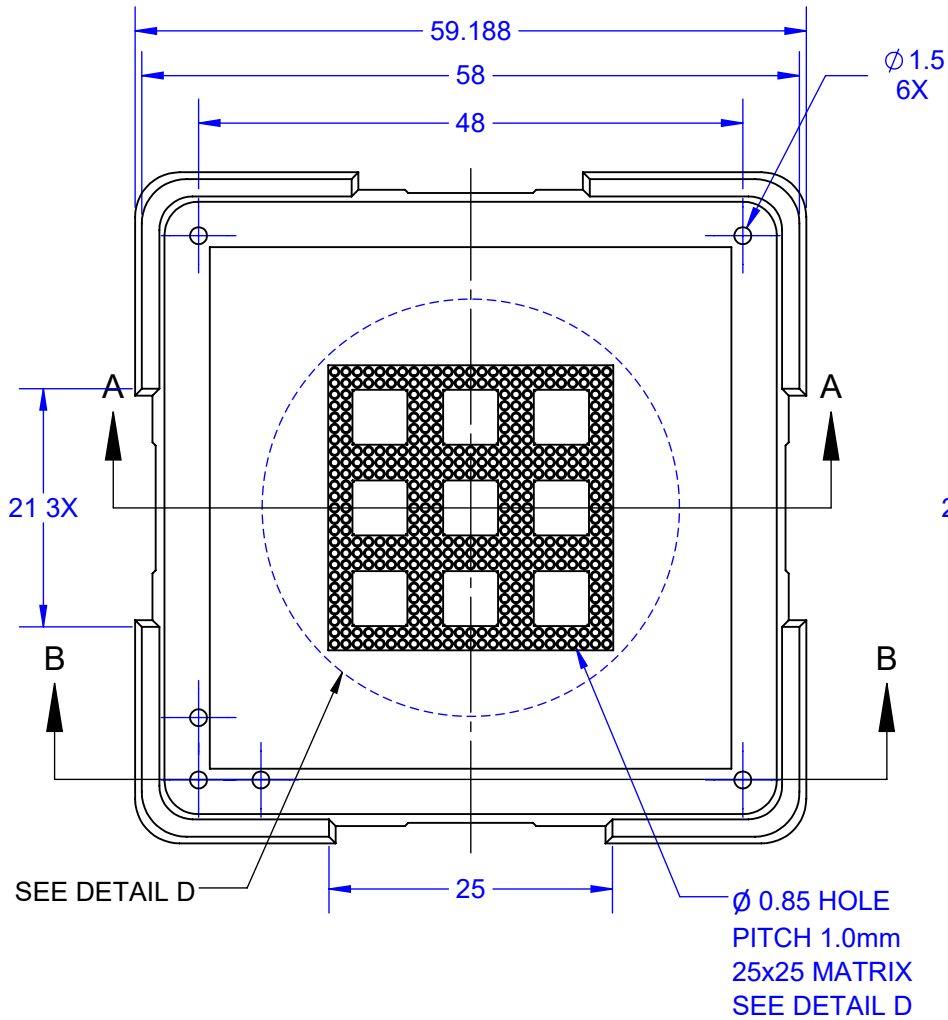
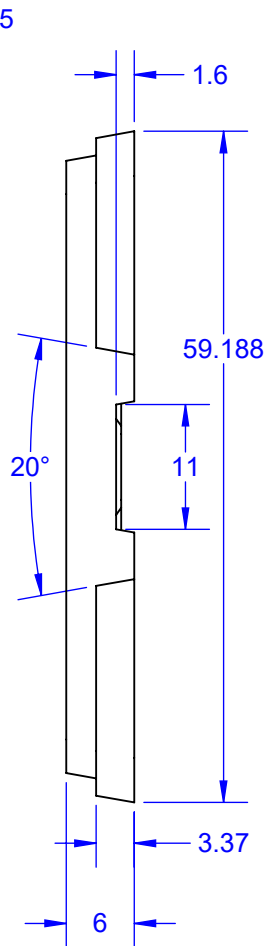


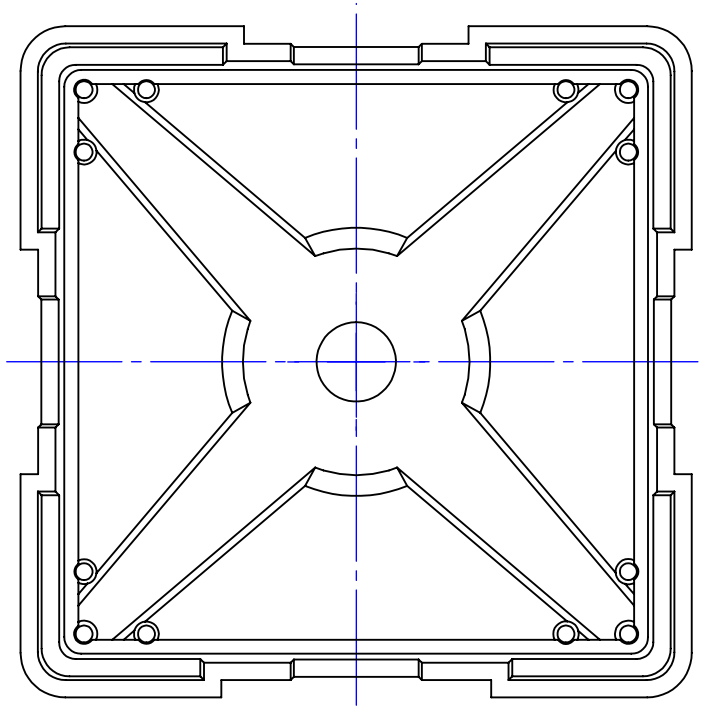
TOP



SIDE

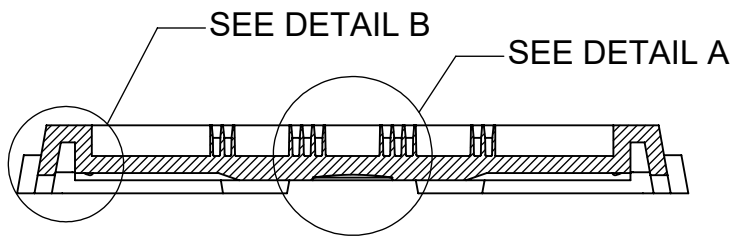


BOTTOM



NOTES:

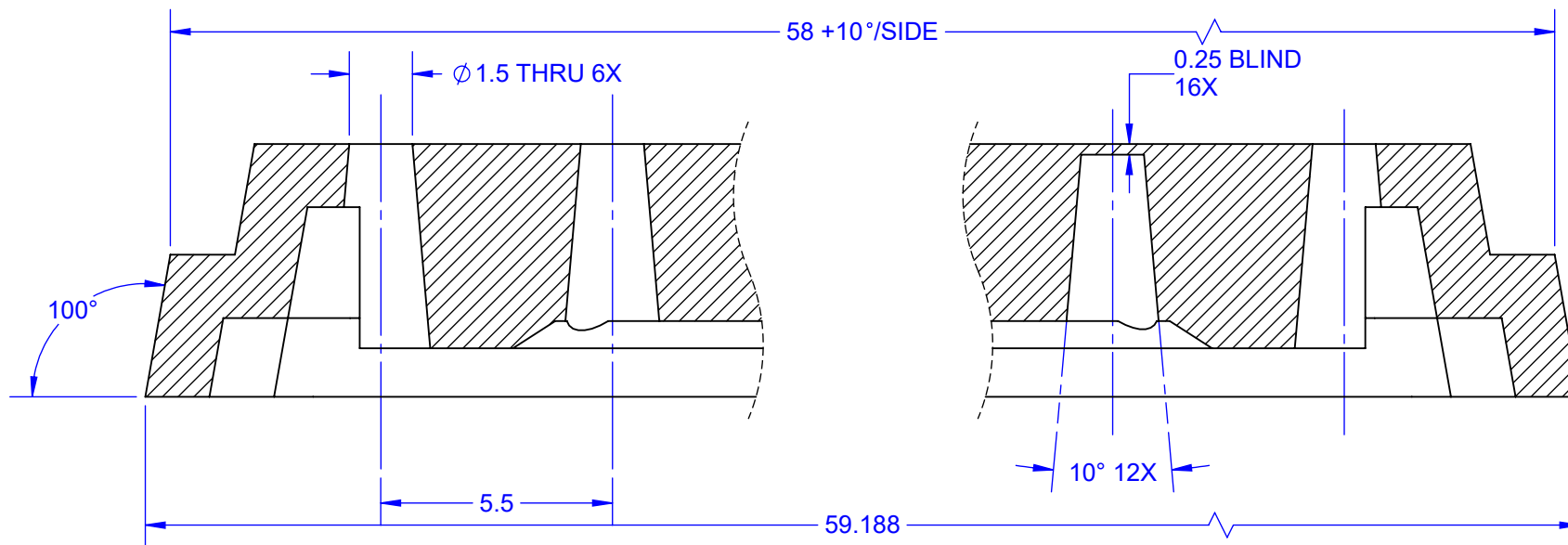
1. DIMENSION MM.
2. MATERIAL: BLUE ABS PERMASTAT® 600
3. TEMPERATURE 60° MAX.
4. MASS 10.3 GRAMS.
5. PERMANENT ESD ANTI-STATIC
6. RESISITIVITY $10^{10} \sim 10^{12} \Omega / \text{SQ}$



SECTION A-A

APPROVALS	DATE	TopLine®			
DRAWN T. Au	6/5/2022				
ENG M. Hart	6/5/2022	TITLE CCGA UNIVERSAL CARRIER PITCH 1.0MM			
MFG		SCALE	SIZE	DRAWING NO.	REV
QA		3:2	A	031000	C
CUST		DO NOT SCALE DRAWING			SHEET 1 OF 7
REVISED					

SECTION B-B CORNER FIDUCIAL



TopLine®

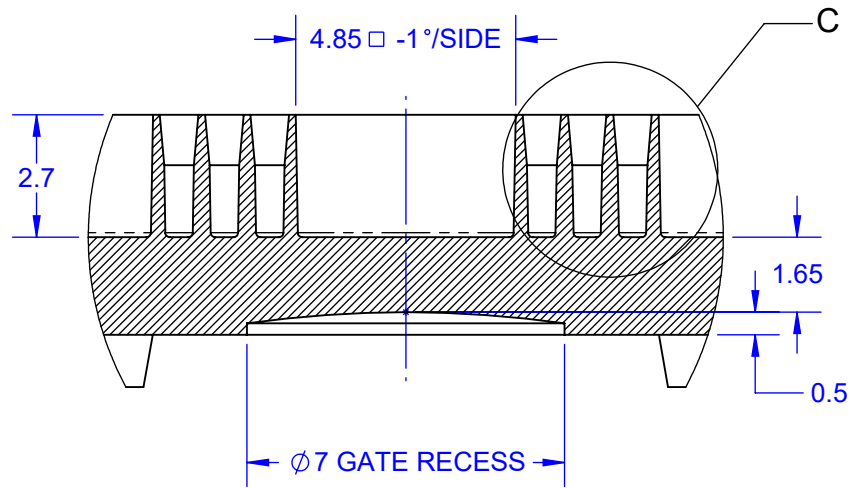
TITLE CCGA UNIVERSAL CARRIER
PITCH 1.0MM

SCALE 6:1	SIZE A	DRAWING NO. 031000	REV C
--------------	-----------	-----------------------	----------

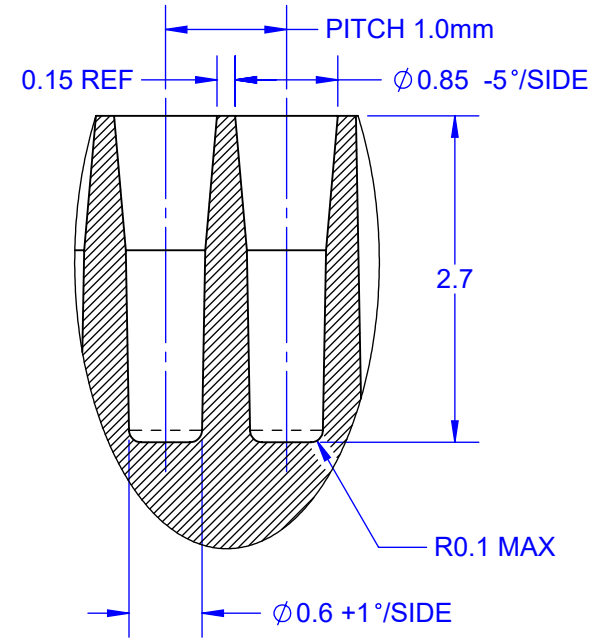
DO NOT SCALE DRAWING

SHEET 2 OF 7

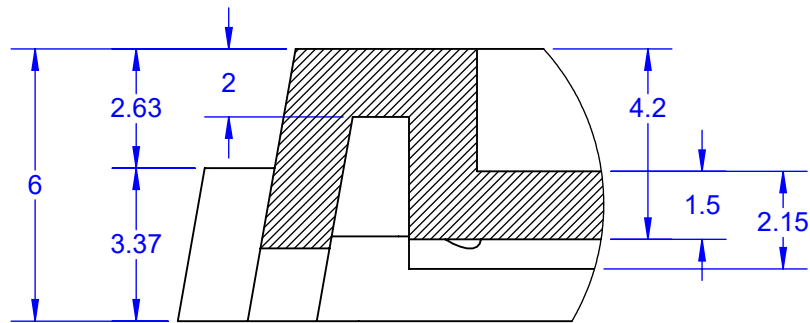
DETAIL A



DETAIL C SCALE 16 : 1



DETAIL B



TopLine®

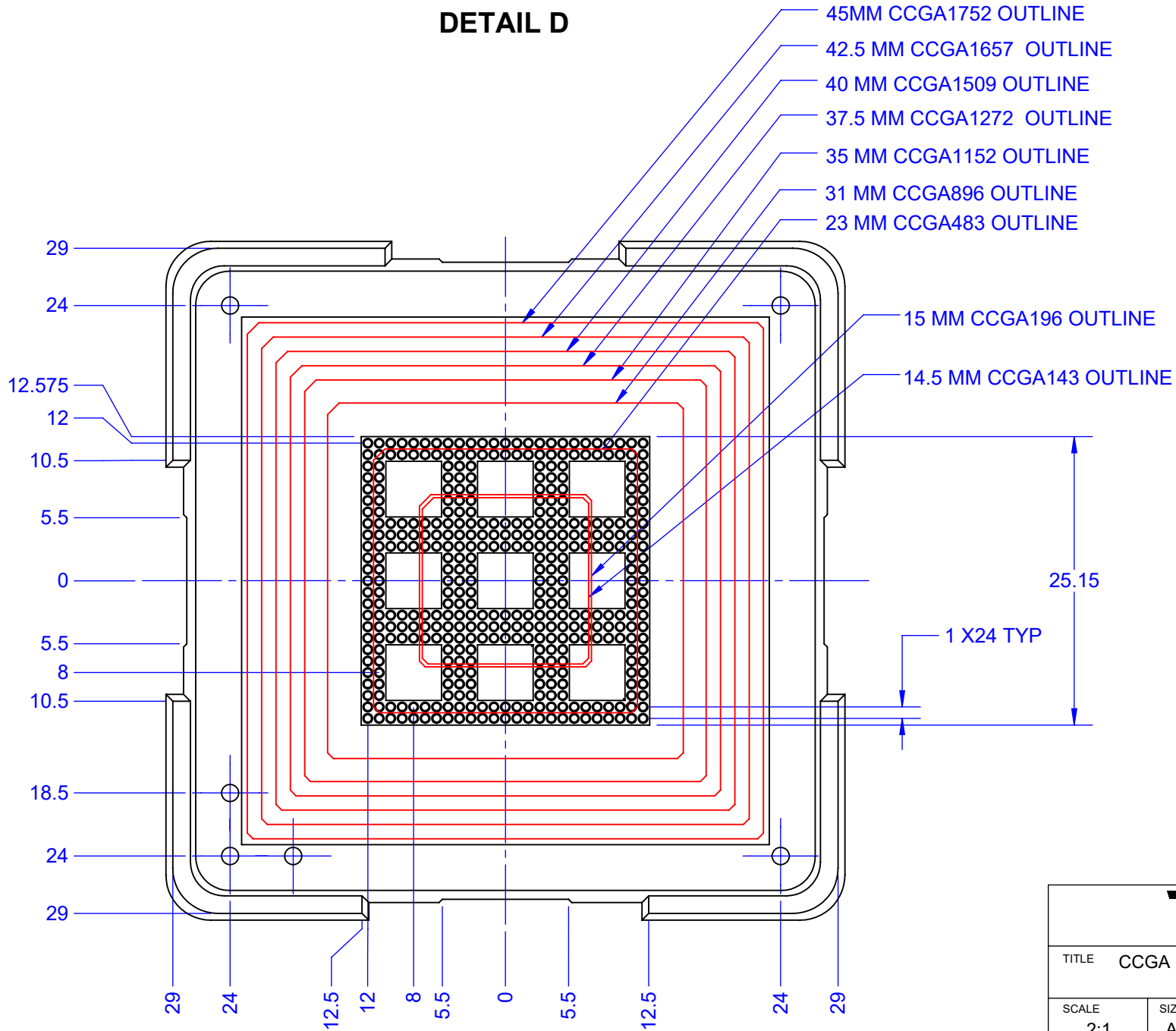
TITLE CCGA UNIVERSAL CARRIER
PITCH 1.0MM

SCALE 6:1	SIZE A	DRAWING NO. 031000	REV C
--------------	-----------	-----------------------	----------

DO NOT SCALE DRAWING

SHEET 3 OF 7

DETAIL D



TopLine®

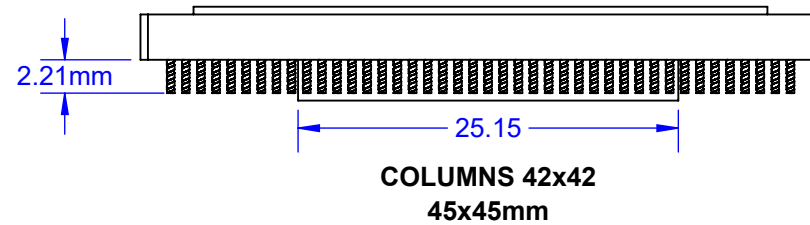
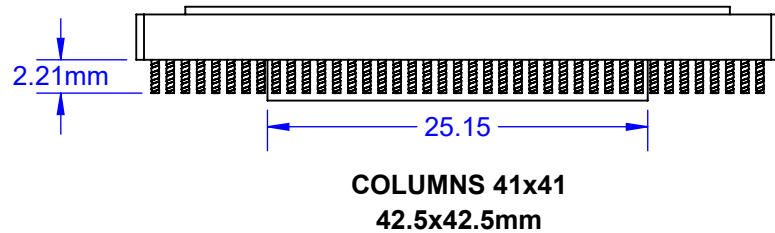
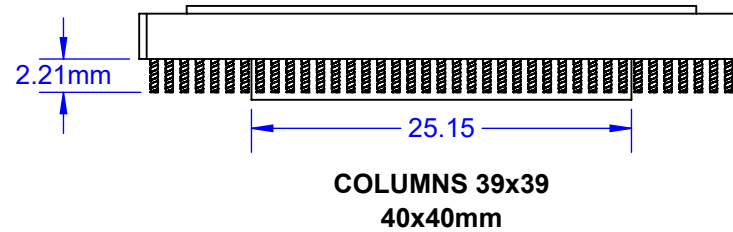
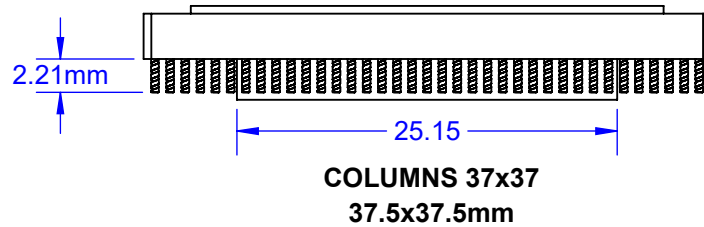
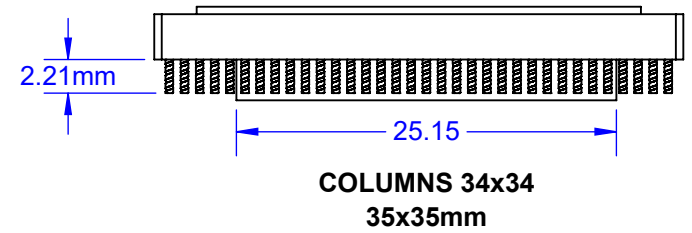
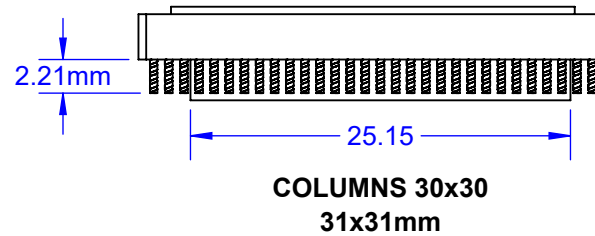
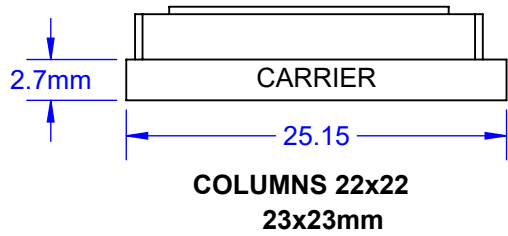
TITLE CCGA UNIVERSAL CARRIER
 PITCH 1.0MM

SCALE	SIZE	DRAWING NO.	REV
2:1	A	031000	C

DO NOT SCALE DRAWING

SHEET 4 OF 7

SIDE VIEW SEATING OF CCGA ON BLUE CARRIER



NOTES:

1. NOT TO SCALE.
2. COLUMNS MORE 22x22 MATRIX OVERHANGS PEDESTAL

TopLine®

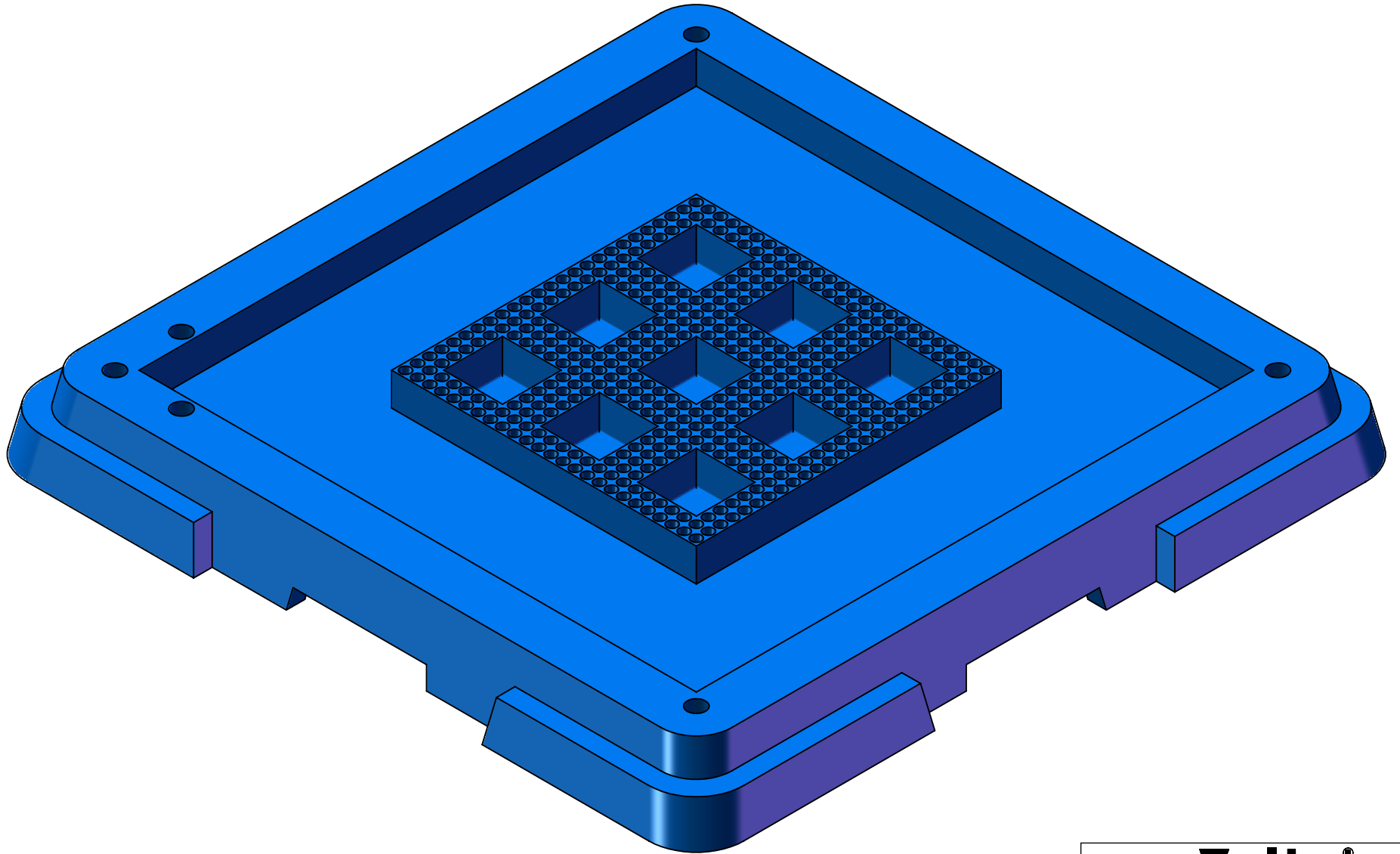
TITLE CCGA UNIVERSAL CARRIER
PITCH 1.0MM

SCALE 2:1	SIZE A	DRAWING NO. 031000	REV B
--------------	-----------	-----------------------	----------

DO NOT SCALE DRAWING

SHEET 5 OF 7

MODEL
TOP



TopLine[®]

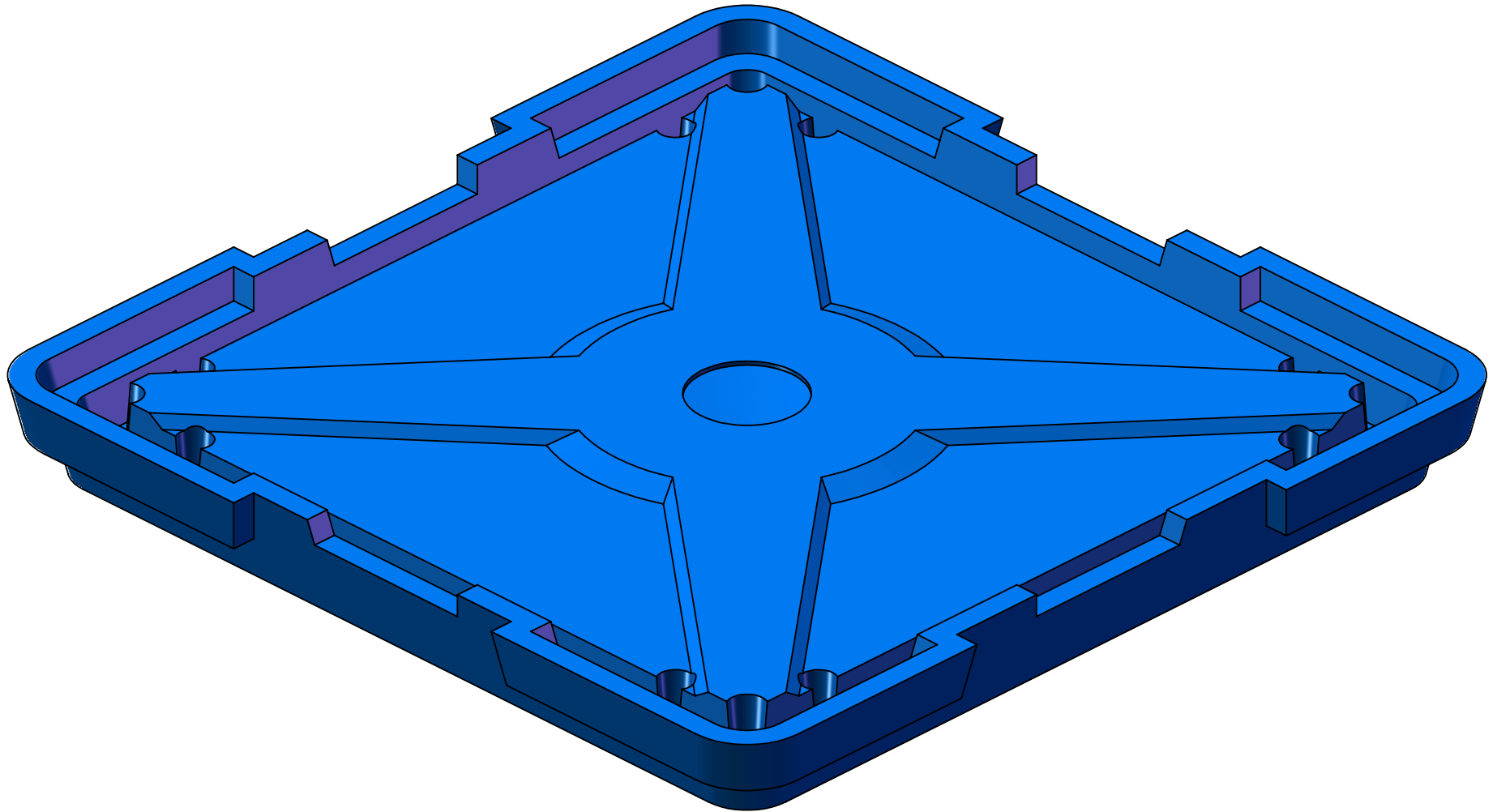
TITLE CCGA UNIVERSAL CARRIER
PITCH 1.0MM

SCALE 3:1	SIZE A	DRAWING NO. 031000	REV C
--------------	-----------	-----------------------	----------

DO NOT SCALE DRAWING

SHEET 6 OF 7

**MODEL
BOTTOM**



TopLine®

TITLE CCGA UNIVERSAL CARRIER
PITCH 1.0MM

SCALE 3:1	SIZE A	DRAWING NO. 031000	REV C
--------------	-----------	-----------------------	----------

DO NOT SCALE DRAWING

SHEET 7 OF 7