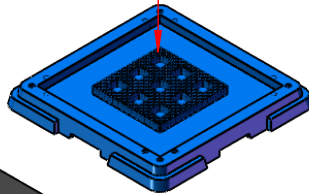


# EXPLODED VIEW CCGA TRAY BOX SYSTEM 1.0MM PITCH

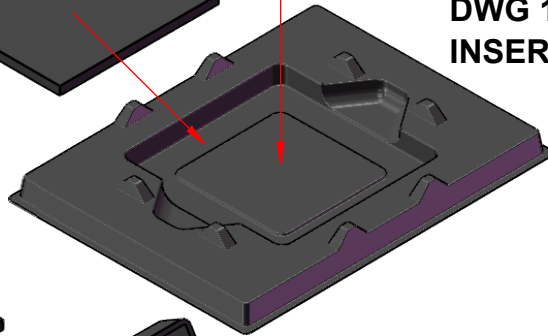
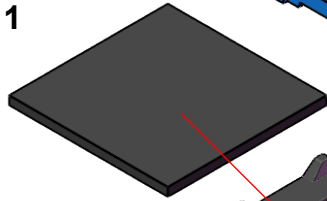


DWG 021432  
 $10^4 \sim 10^6 \Omega$

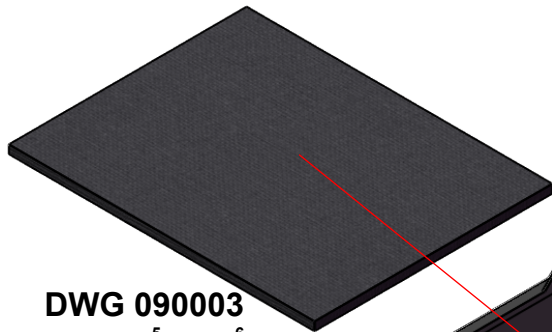
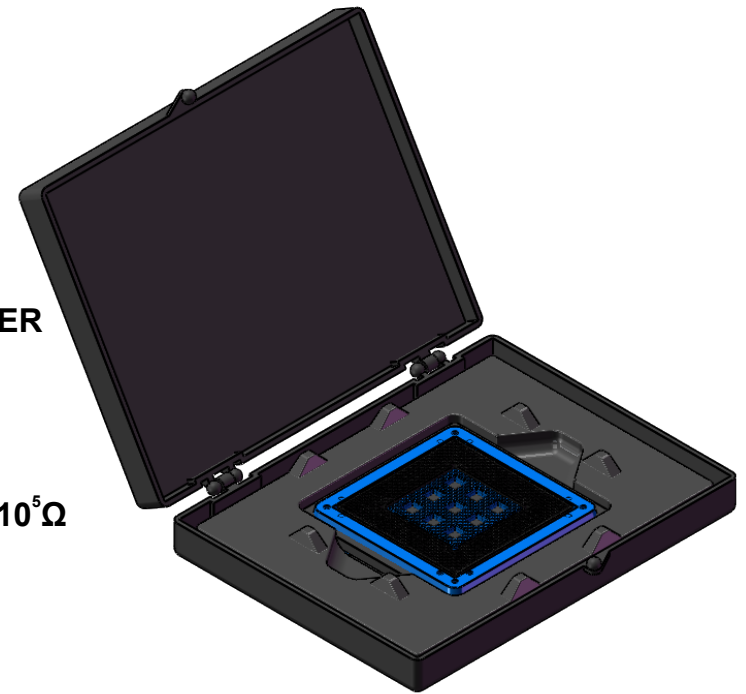


DWG 031000  
BLUE CARRIER

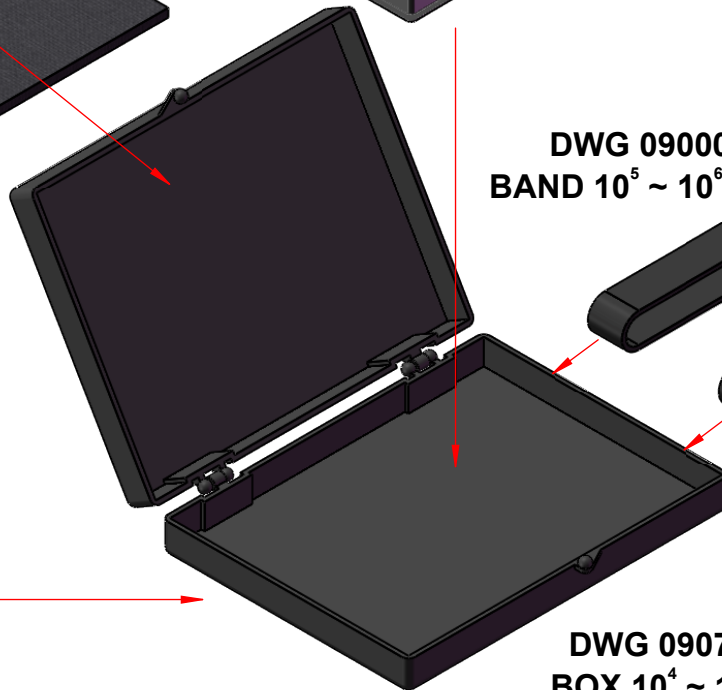
DWG 090011  
 $10^5 \sim 10^6 \Omega$



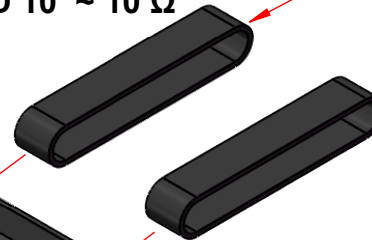
DWG 140099  
INSERT  $10^4 \sim 10^5 \Omega$



DWG 090003  
FOAM  $10^5 \sim 10^6$



DWG 090005  
BAND  $10^5 \sim 10^6 \Omega$



CUSTOMER LABEL



CLOSED BOX

DWG 090009  
INSERT  $10^{12} \Omega$

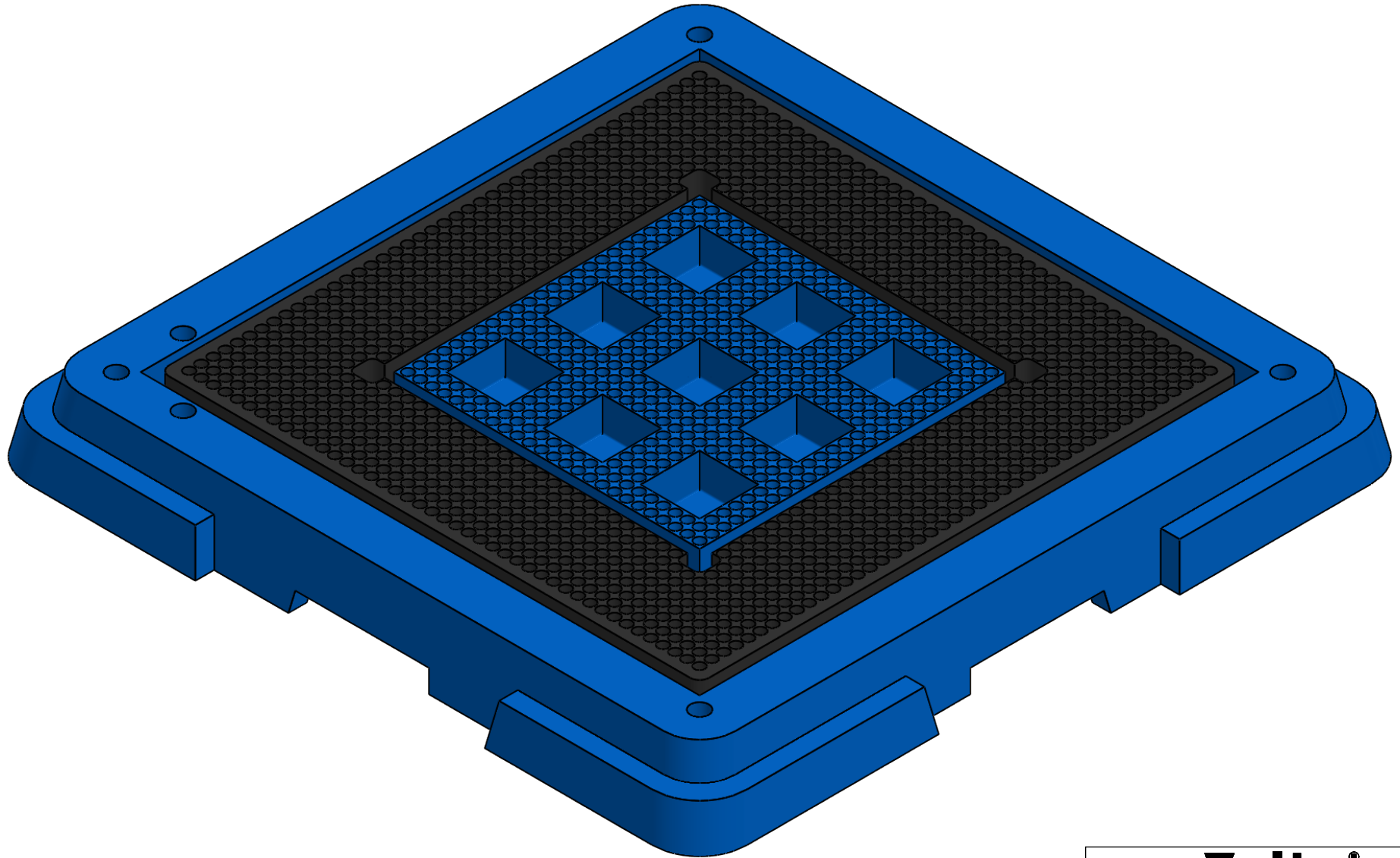


DWG 090750  
BOX  $10^4 \sim 10^5 \Omega$

**TopLine®**  
CCGA1752T1.0DC427CN  
Pins 1752      Size: 45mm  
DP# 169385      Pitch 1.0mm  
Qty 1      Pb80/Sn20      XJ9

APPROVALS	DATE	<b>TopLine®</b>			
DRAWN T. Au	11/9/2019				
ENG M. Hart	11/9/2019	TITLE CCGA1849 TRAY BOX BLUE CARRIER			
MFG		SCALE	SIZE	DRAWING NO.	REV
QA		1:2	A	931434	A
CUST		DO NOT SCALE DRAWING			SHEET 1 OF 11
REVISED					

MODEL  
TOP



**TopLine®**

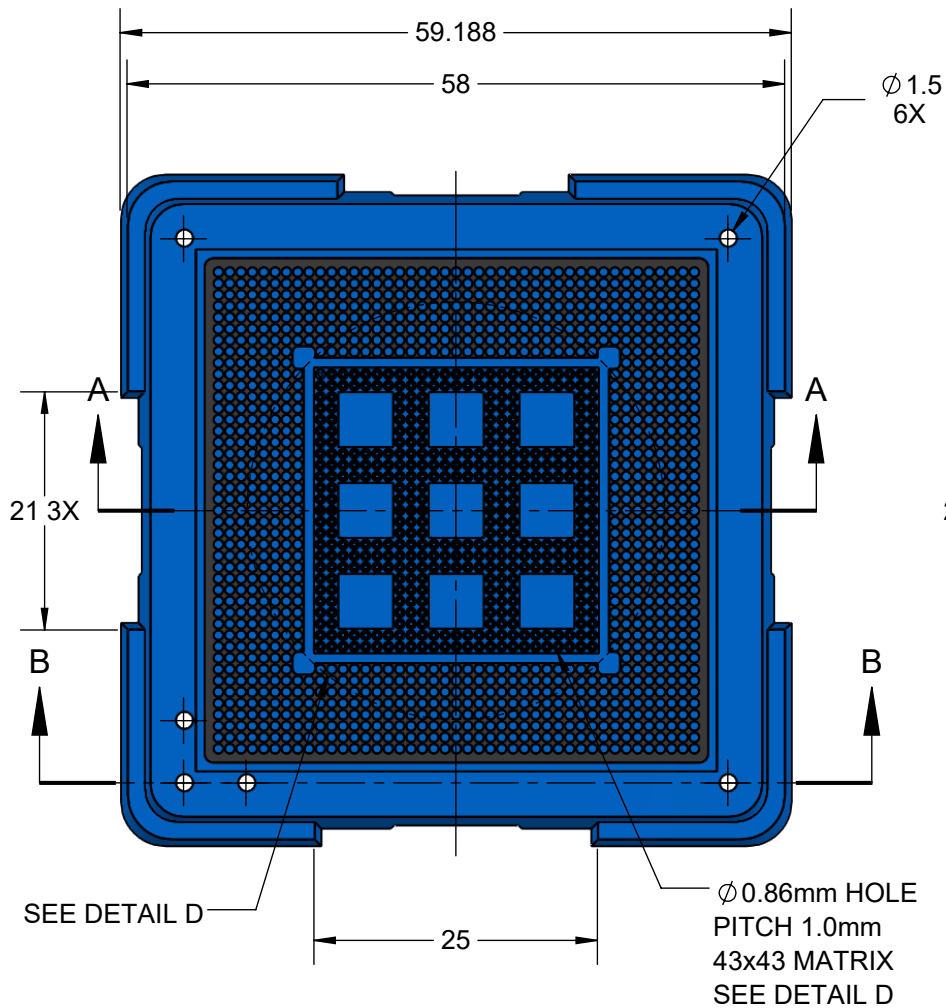
TITLE CCGA1849 TRAY BOX  
BLUE CARRIER

SCALE 3:1	SIZE A	DRAWING NO. 931434	REV
--------------	-----------	-----------------------	-----

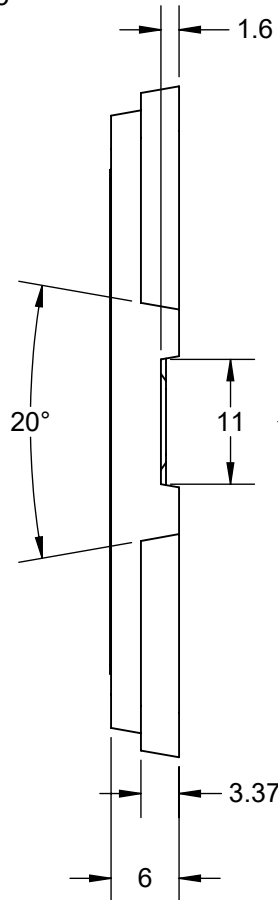
DO NOT SCALE DRAWING

SHEET 2 OF 11

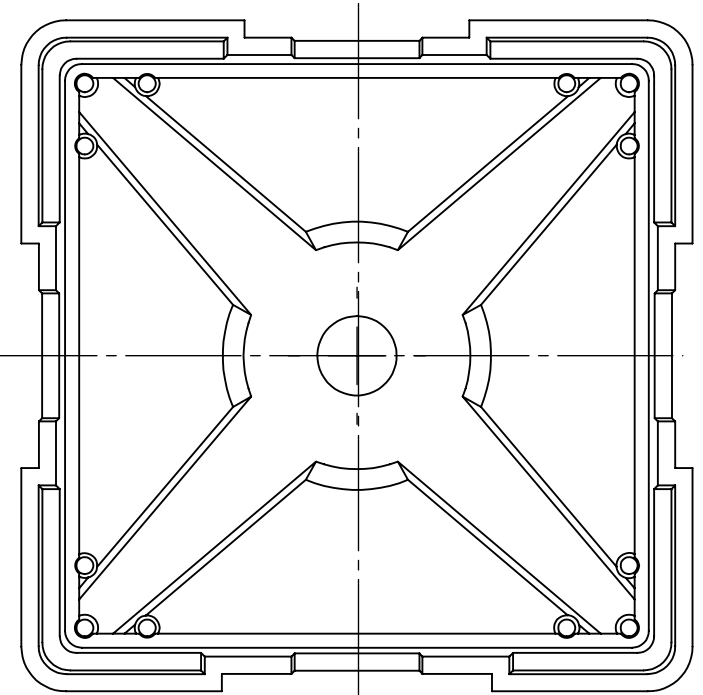
**TOP**



**SIDE**



**BOTTOM**



**NOTES:**

1. DIMENSION MM.
2. MATERIAL: BLUE ABS PERMASTAT® 600.
3. TEMPERATURE 60° MAX.
4. MASS 10.3 GRAMS.
5. PERMANENT ESD ANTI-STATIC
6. SURFACE RESISTIVITY  $10^{10} \sim 10^{12} \Omega$

**TopLine®**

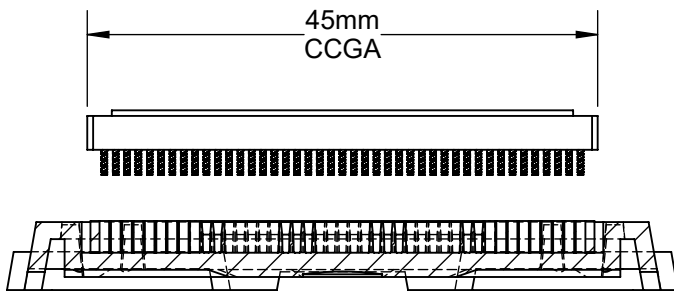
TITLE CCGA1849 TRAY BOX  
BLUE CARRIER

SCALE 3:2	SIZE A	DRAWING NO. 931434	REV
--------------	-----------	-----------------------	-----

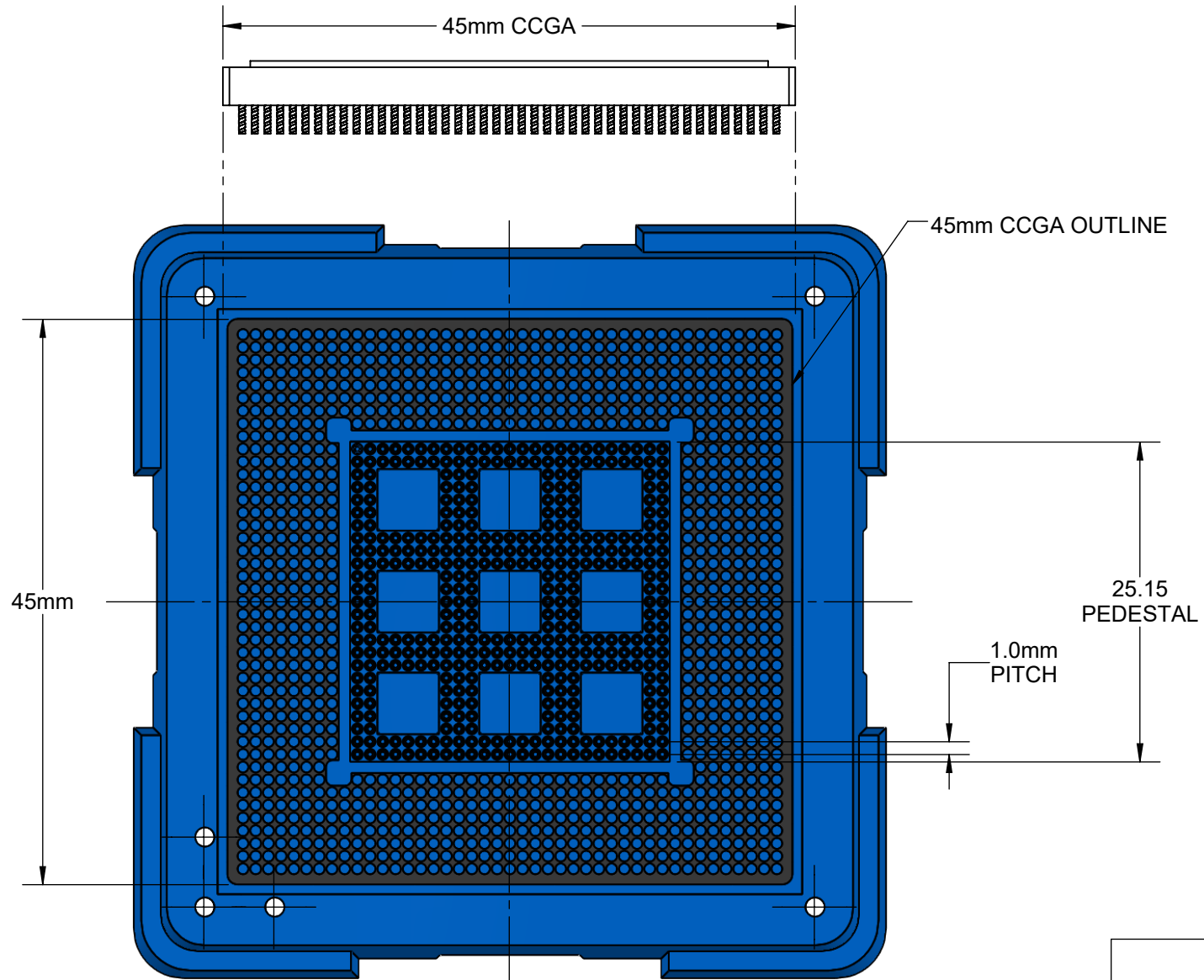
DO NOT SCALE DRAWING

SHEET 3 OF 11

**SECTION A-A**



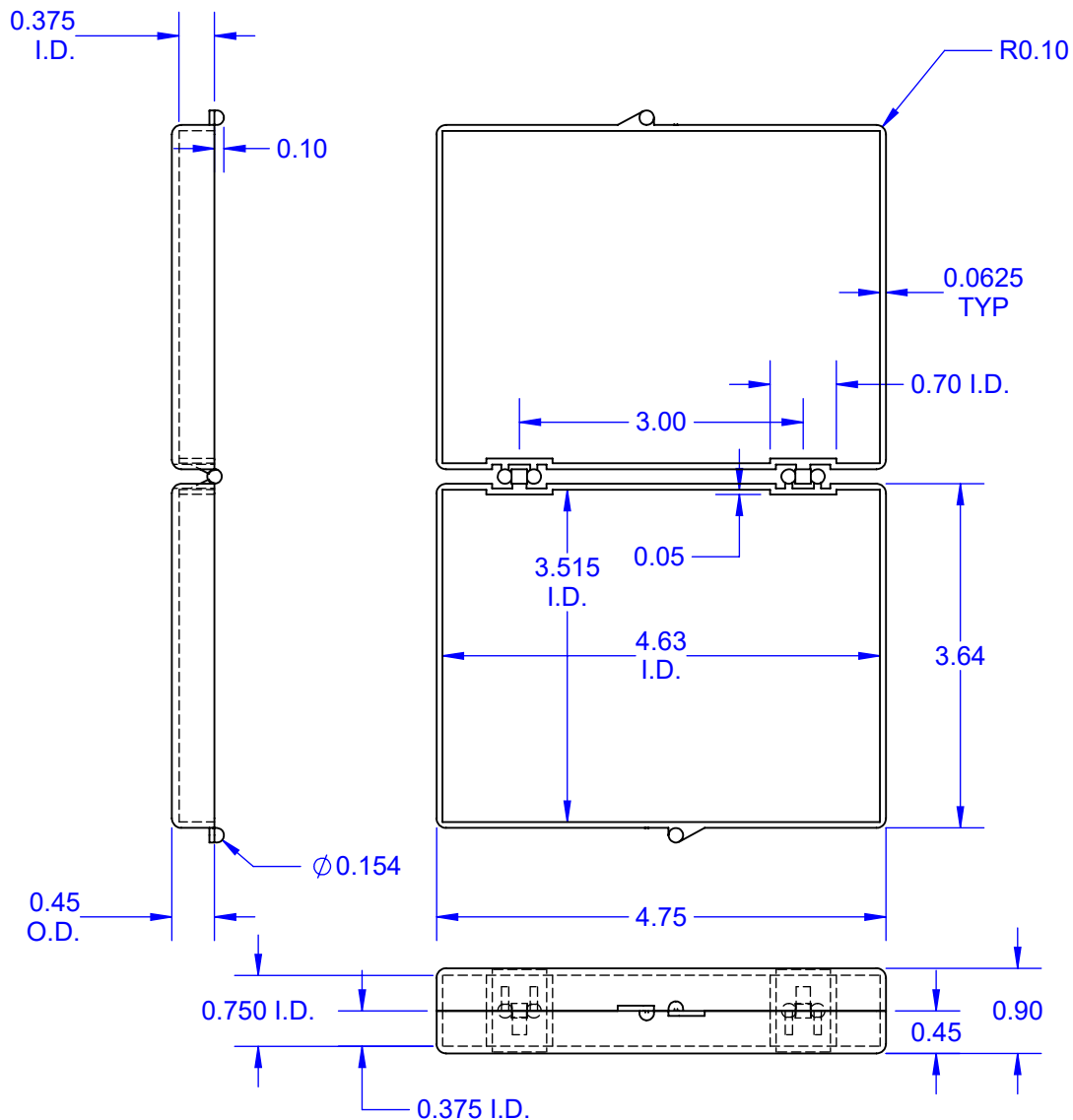
# DETAIL D



- NOTES:  
 1. DIMENSIONS MM.  
 2. NOT TO SCALE

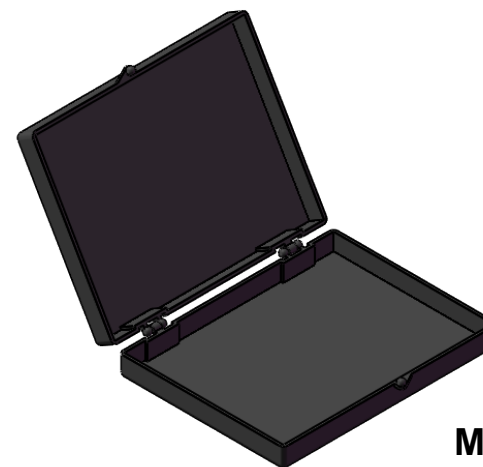
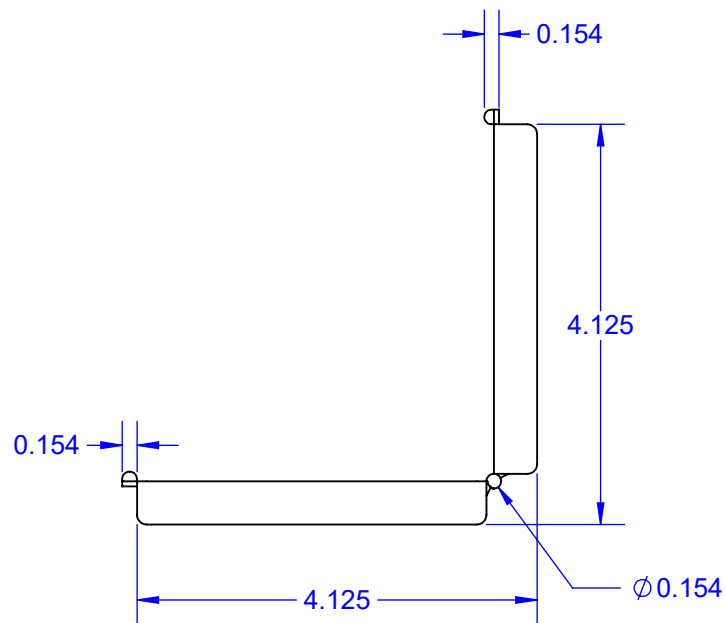
<b>TopLine®</b>			
TITLE		CCGA1849 TRAY BOX BLUE CARRIER	
SCALE	SIZE	DRAWING NO.	REV
2:1	A	931434	
DO NOT SCALE DRAWING			SHEET 4 OF 11

**TOP (OPEN)**



**FRONT (CLOSED)**

**SIDE VIEW (OPEN)**



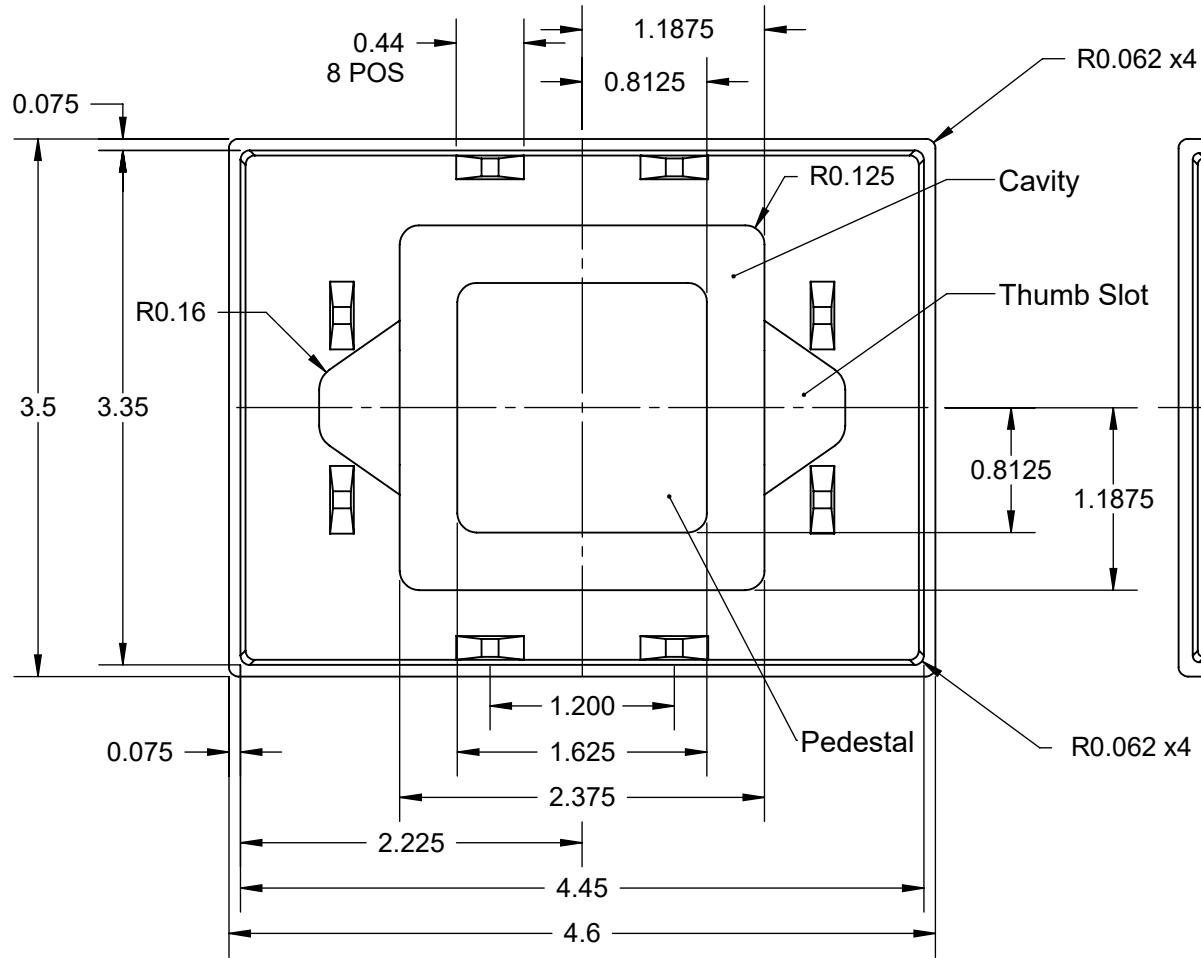
**MODEL**

Notes: (Unless Otherwise Specified).

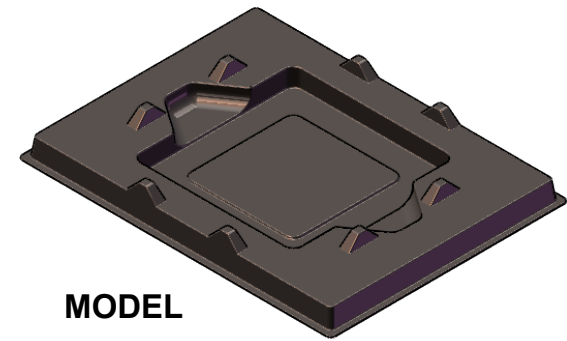
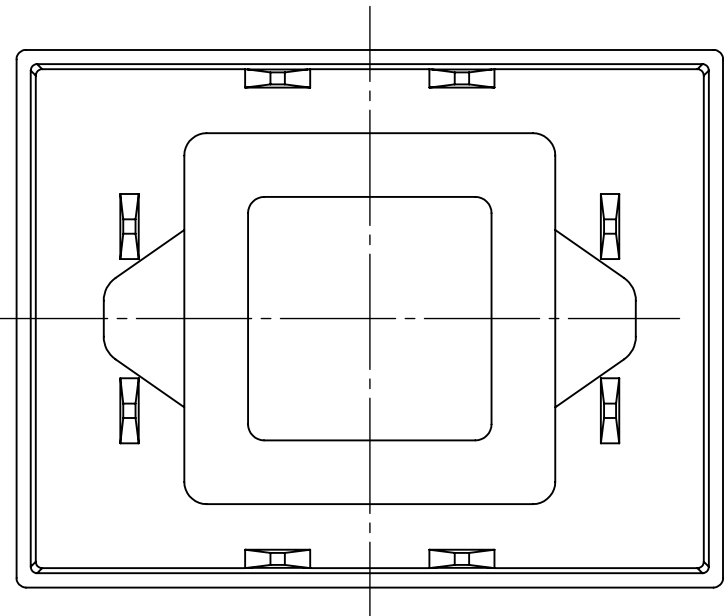
- 1) SURFACE RESISTIVITY:  $10^3 \Omega$  TO  $10^6 \Omega$  PER SQUARE.
- 2) MATERIAL: CARBON FILLED POLYPROPYLENE.
- 3) DIMENSIONS IN INCHES.

<b>TopLine®</b>			
TITLE		EC1-19mm EMPTY HINGE BOX	
SCALE	SIZE	DRAWING NO.	REV
1:2	A	090750	A
DO NOT SCALE DRAWING			SHEET 5 OF 11

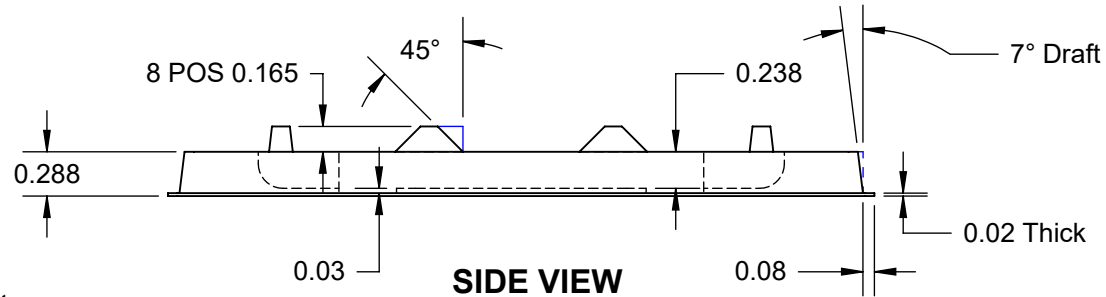
**TOP VIEW**



**BOTTOM VIEW**



**MODEL**

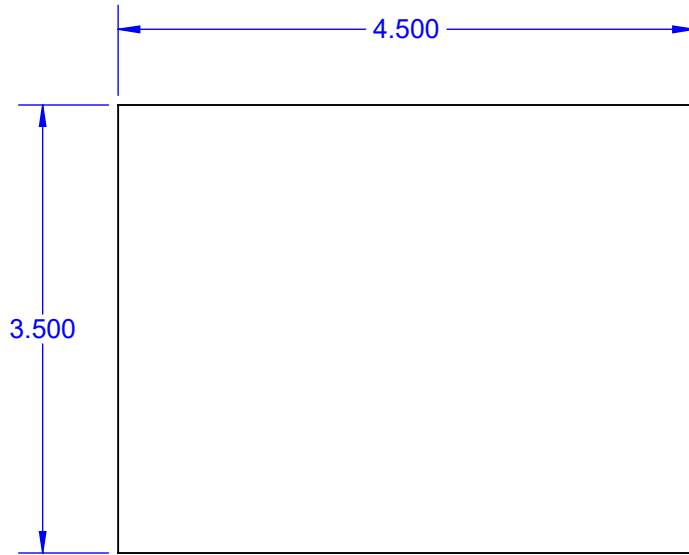


**SIDE VIEW**

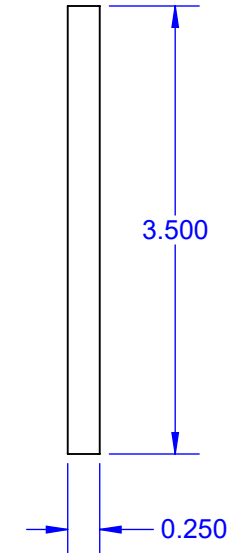
- Notes:  
 1. DIMENSIONS INCH  
 2. SURFACE RESISTIVITY  $10^4 \sim 10^5 \Omega$

<b>TopLine®</b>			
TITLE CCGA TRAY INSERT FOR 4.625 x 3.5 HINGE BOX			
SCALE	SIZE	DRAWING NO.	REV
2:2.5	A	140099	A
DO NOT SCALE DRAWING			SHEET 6 OF 11

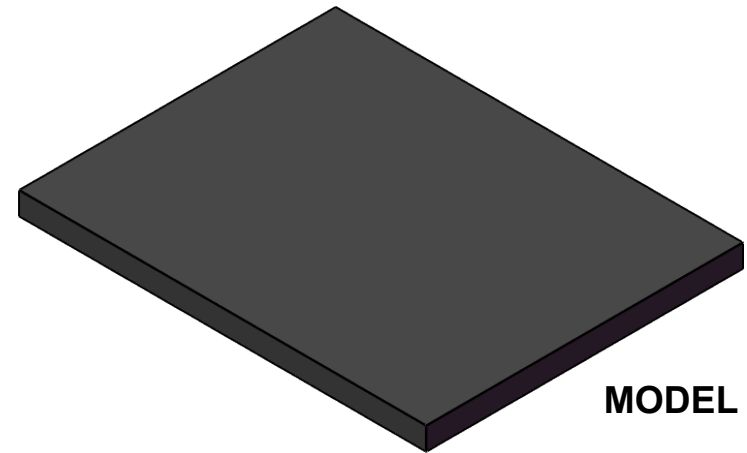
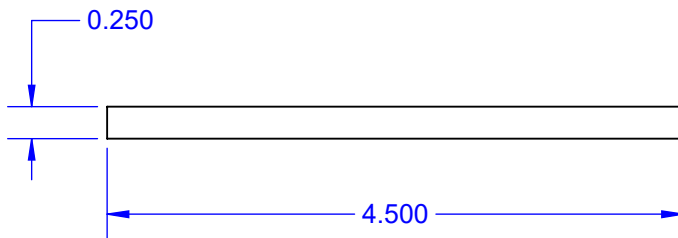
### TOP



### EDGE



### SIDE



MODEL

Notes: (Unless Otherwise Specified).

- 1) SURFACE RESISTIVITY:  $10^3 \Omega$  TO  $10^6 \Omega$  PER SQUARE.
- 2) SOFT CONDUCTIVE FOAM.
- 3) DENSITY 1.7 PFC Min.

**TopLine**<sup>®</sup>

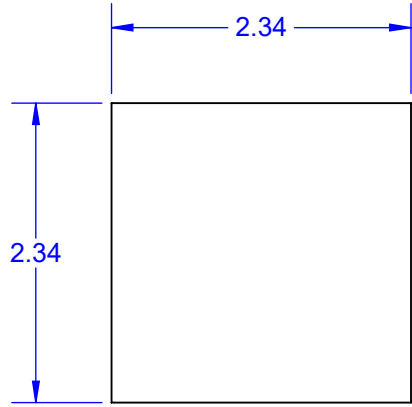
TITLE EC1-FOAM-SOFT-.25-B  
LOW DENSITY FOAM

SCALE	SIZE	DRAWING NO.	REV
1:1.5	A	090003	A

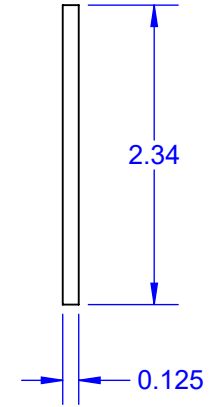
DO NOT SCALE DRAWING

SHEET 7 OF 11

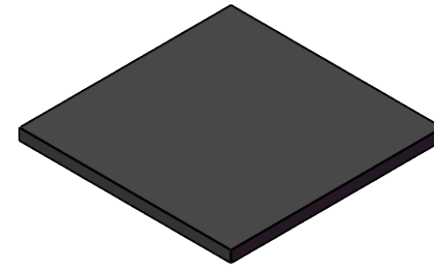
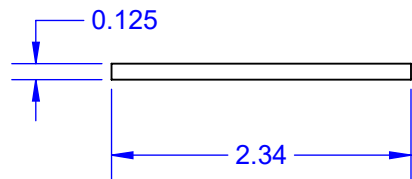
**TOP**



**EDGE**



**SIDE**



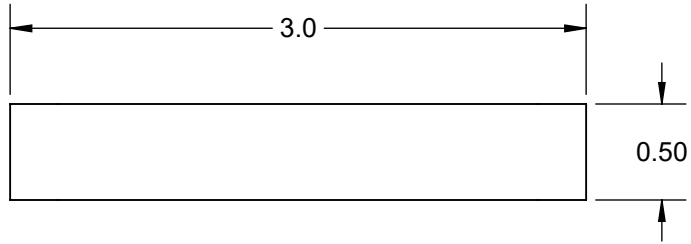
**MODEL**

Notes: (Unless Otherwise Specified).

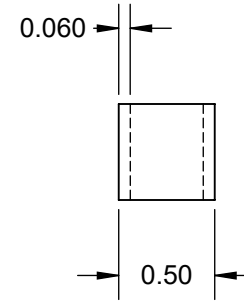
- 1) SURFACE RESISTIVITY:  $10^3 \Omega$  TO  $10^6 \Omega$  PER SQUARE.
- 2) SOFT CONDUCTIVE FOAM.
- 3) DENSITY 1.7 PFC Min.

<b>TopLine®</b>			
TITLE		LOW DENSITY FOAM FOAM-SOFT-2.34-A	
SCALE	SIZE	DRAWING NO.	REV
1:1.5	A	090011	A
DO NOT SCALE DRAWING			SHEET 8 OF 11

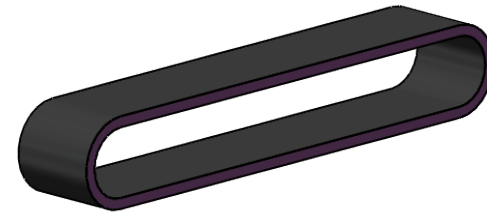
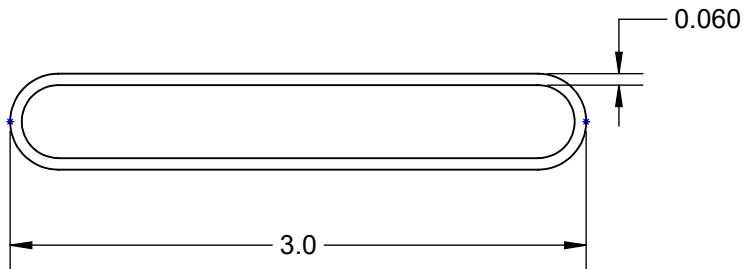
### TOP



### EDGE



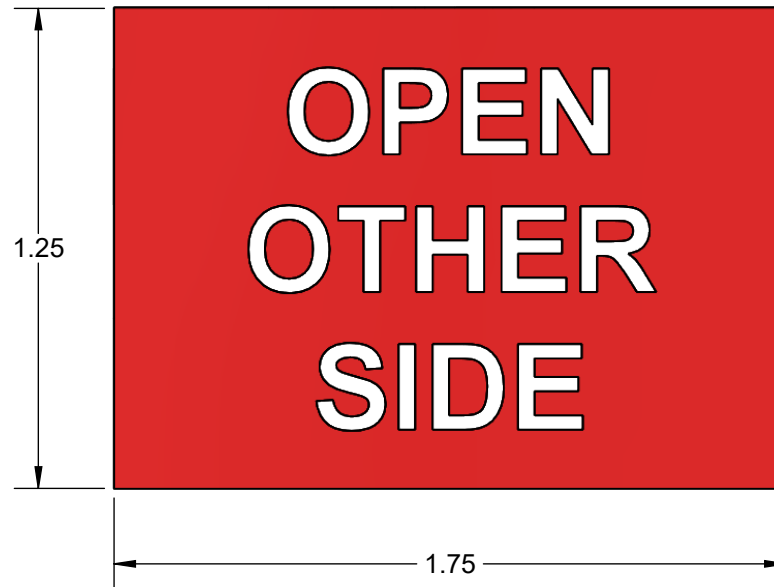
### SIDE



### MODEL

- Notes: (Unless Otherwise Specified).
- 1) SURFACE RESISTIVITY:  $10^5 \sim 10^6$ .
  - 2) DIMENSIONS IN INCHES (RESTING POSITION).

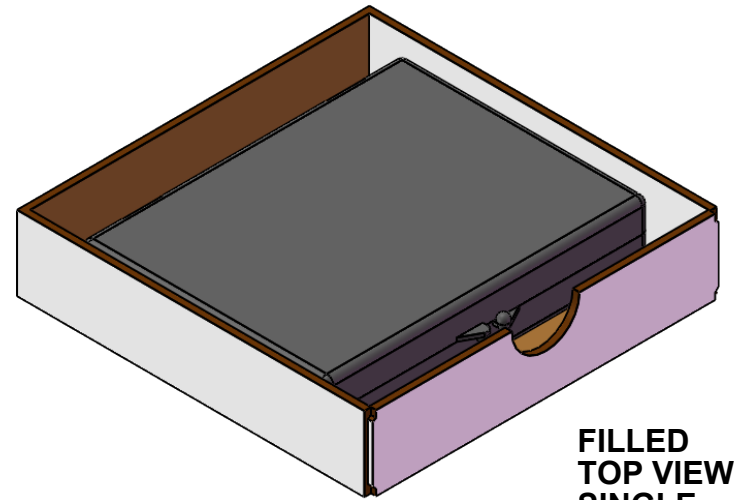
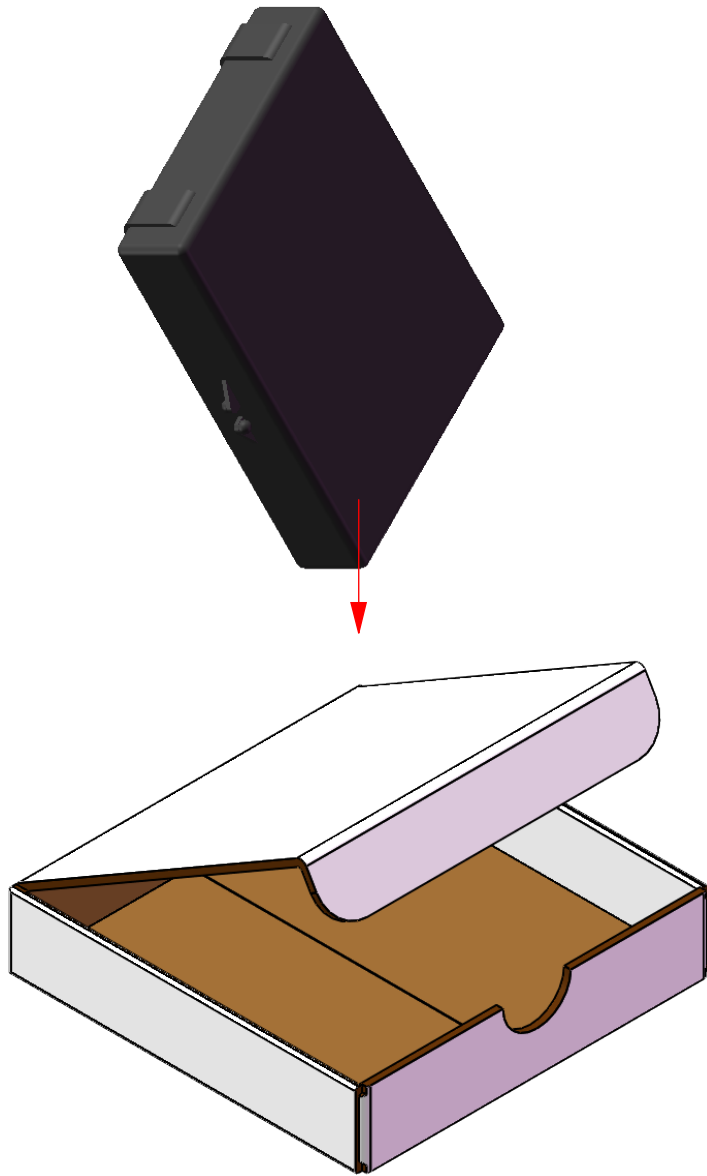
<b>TopLine®</b>			
TITLE		RUBBER BAND-3.0-C BLACK CONDUCTIVE	
SCALE	SIZE	DRAWING NO.	REV
1:1	A	090005	A
DO NOT SCALE DRAWING			SHEET 9 OF 11



Notes: (Unless Otherwise Specified).

1. DIMENSIONS INCHES.
2. MATERIAL: PAPER LABEL WITH ADHESIVE.
3. COLOR: RED.
4. PURPOSE: IDENTIFY BOTTOM OF HINGE BOX.

<b>TopLine®</b>			
TITLE		LABEL FOR BOTTOM OF HINGE BOX	
SCALE	SIZE	DRAWING NO.	REV
2:1	A	090009	A
DO NOT SCALE DRAWING			SHEET 10 OF 11



**FILLED  
TOP VIEW  
SINGLE**

- NOTES: (Unless Otherwise Specified).
1. DIMENSIONS INCHES.
  2. MEASUREMENT INCLUDES RUBBER BANDS.
  3. BOX SIZE SUBJECT TO CHANGE.

<b>TopLine®</b>			
TITLE CCGA TRAY BOX CARRIER CARTON			
SCALE 1:2	SIZE A	DRAWING NO. 900001	REV A
DO NOT SCALE DRAWING		SHEET 11 OF 11	