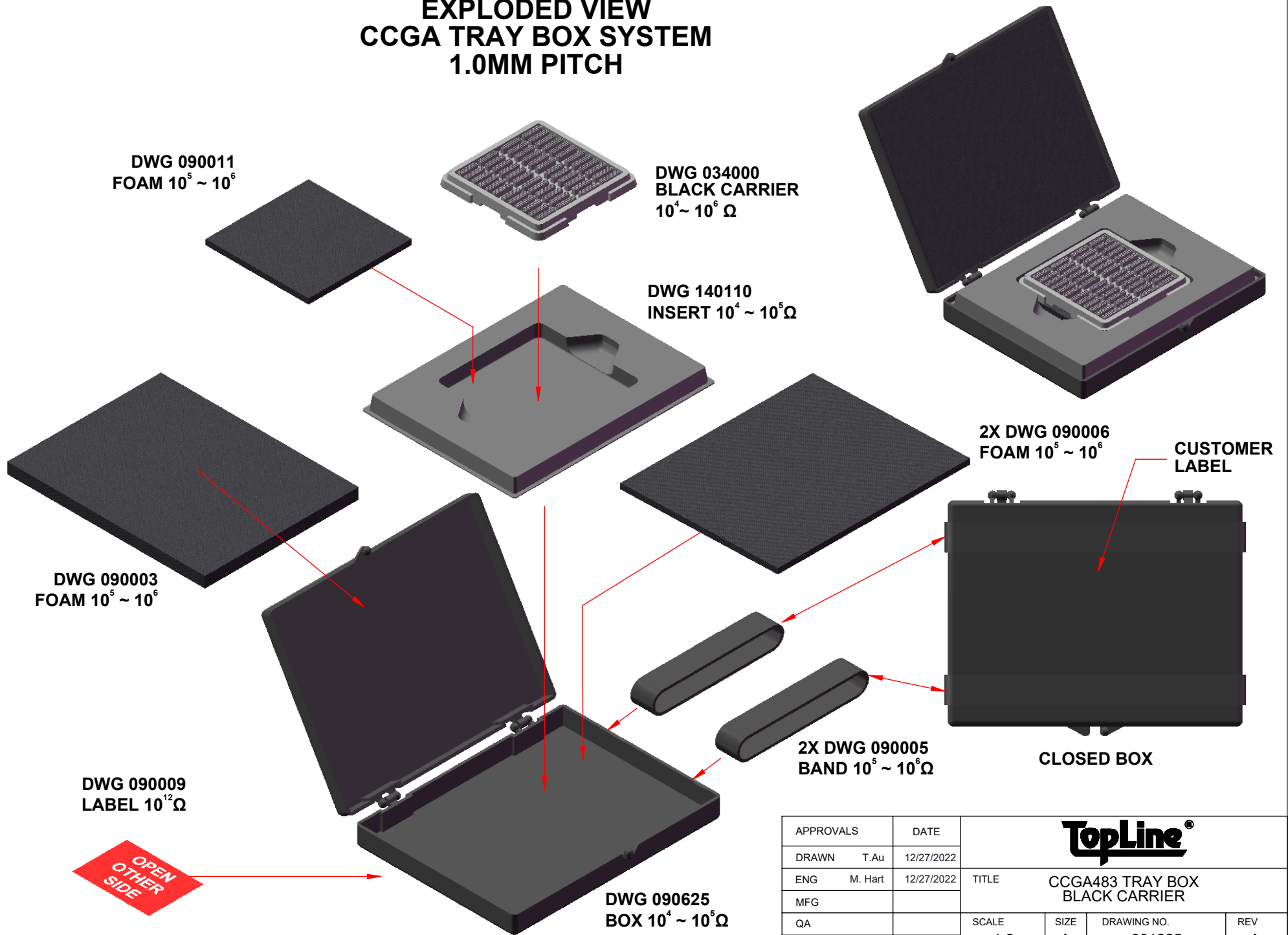


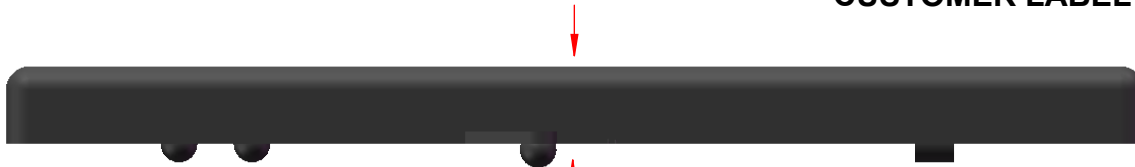
EXPLODED VIEW CCGA TRAY BOX SYSTEM 1.0MM PITCH



APPROVALS	DATE	TopLine®			
DRAWN T. Au	12/27/2022				
ENG M. Hart	12/27/2022	TITLE CCGA483 TRAY BOX BLACK CARRIER			
MFG		SCALE	SIZE	DRAWING NO.	REV
QA		1:2	A	931225	A
CUST		DO NOT SCALE DRAWING			SHEET 1 OF 13
REVISED					

**EXPLODED SIDE VIEW
PITCH 1.0mm**

CUSTOMER LABEL



DWG 090625 BOX TOP



**DWG 090003 FOAM (LOW PROFILE CCGA)
DWG 090006 FOAM (HIGH PROFILE CCGA)**



CCGA COMPONENT



DWG 034000 CARRIER



DWG 090011 FOAM (OPTIONAL LOW PROFILE CCGA)



DWG 140110 INSERT



**DWG 090006 FOAM
2X - LOW PROFILE CCGA
1X - HIGH PROFILE CCGA**



**DWG 090625
BOX BOTTOM**

DWG 090009 LABEL

TopLine®

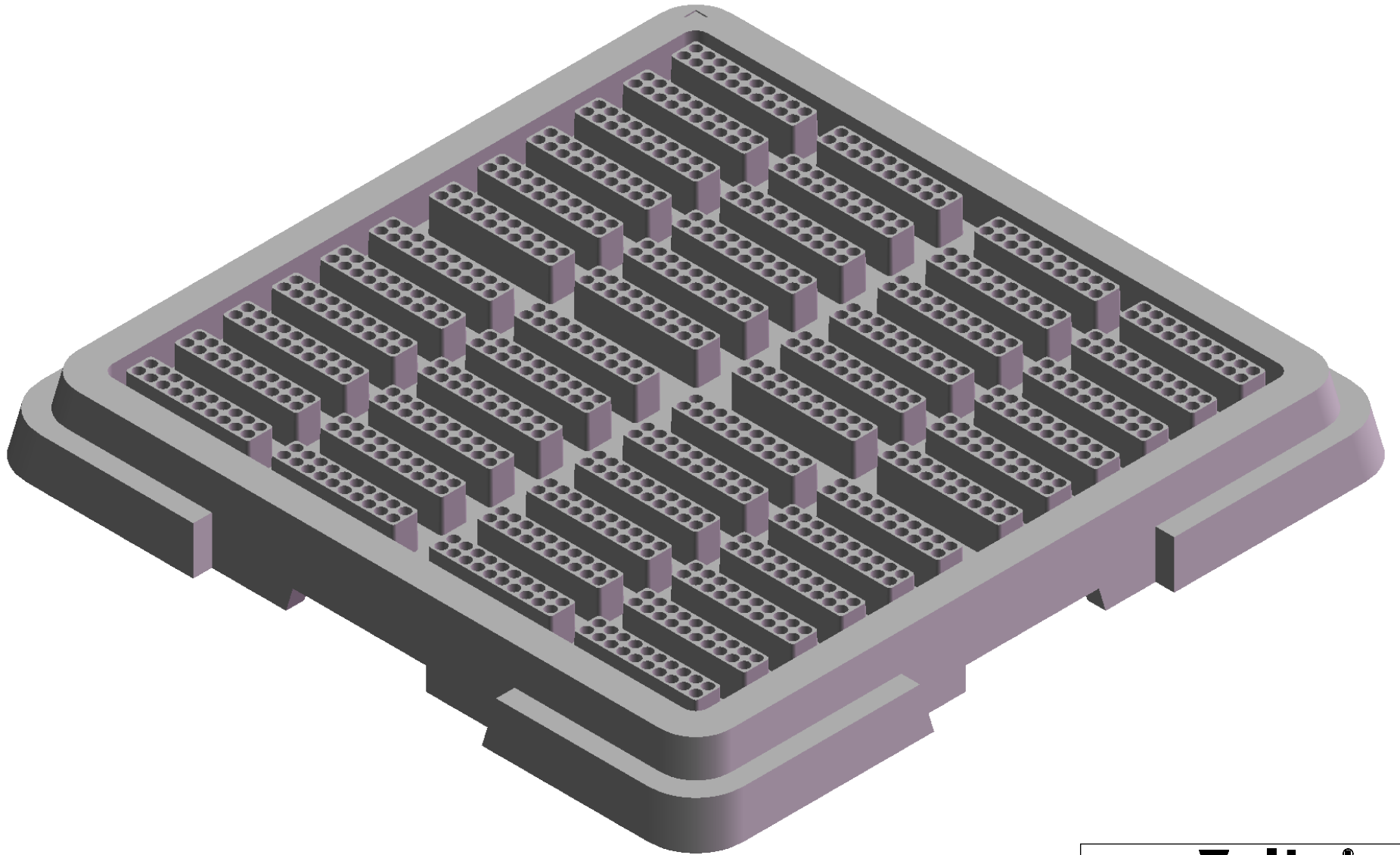
TITLE CCGA483 TRAY BOX
BLACK CARRIER

SCALE 1:2	SIZE A	DRAWING NO. 931225	REV A
--------------	-----------	-----------------------	----------

DO NOT SCALE DRAWING

SHEET 2 OF 13

MODEL
TOP



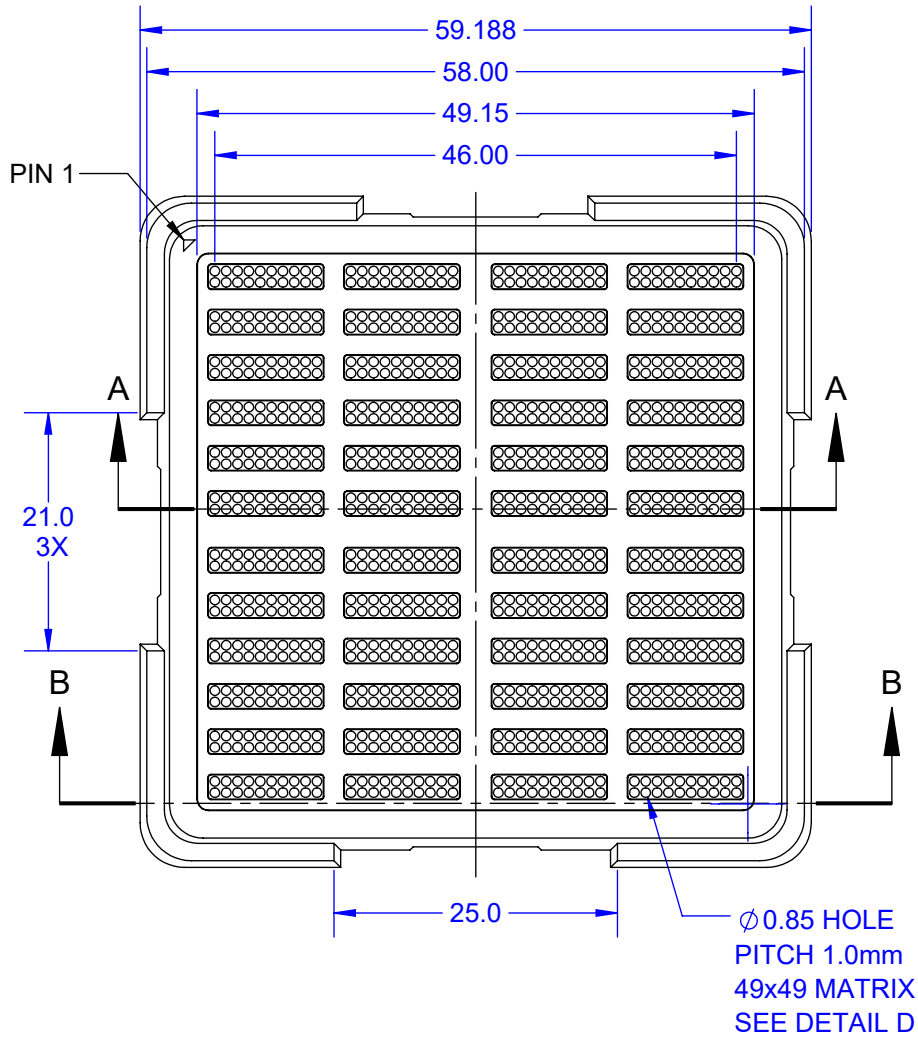
TopLine[®]

TITLE CCGA483 TRAY BOX
BLACK CARRIER

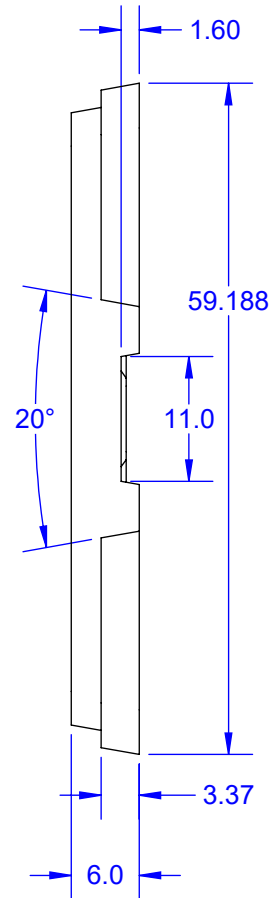
SCALE 3:1	SIZE A	DRAWING NO. 931225	REV A
--------------	-----------	-----------------------	----------

DO NOT SCALE DRAWING SHEET 3 OF 13

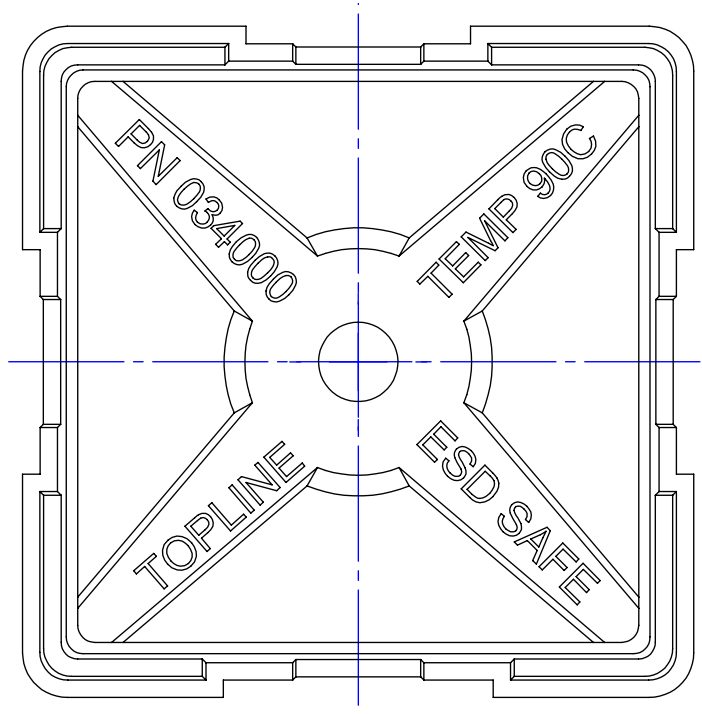
TOP



SIDE

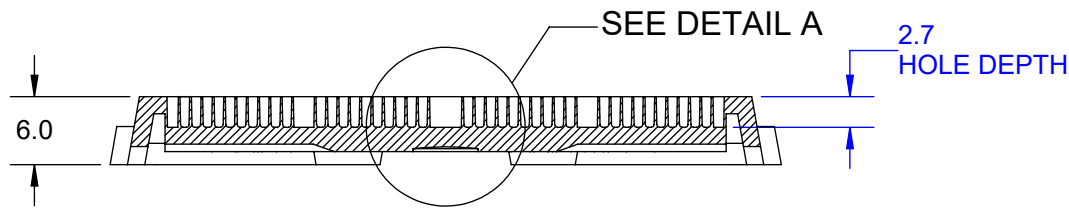


BOTTOM



NOTES:

1. DIMENSION MM.
2. MATERIAL: CONDUCTIVE POLYCARBONATE.
3. TEMPERATURE 90°C MAX.
4. COLOR: BLACK.
5. PERMANENT ESD SAFE
SURFACE RESISTIVITY $10^4 \sim 10^6 \Omega$.

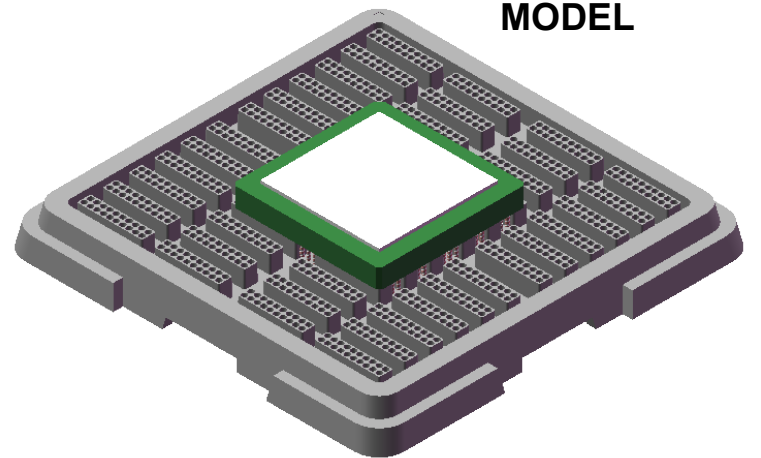
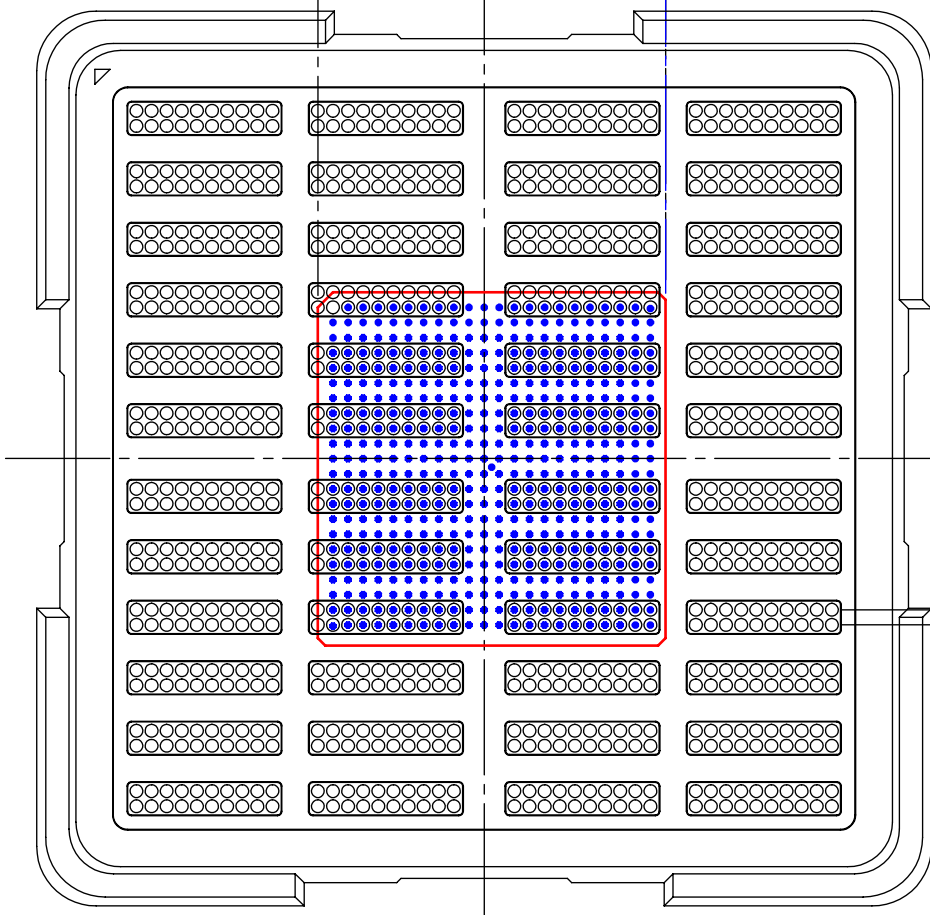
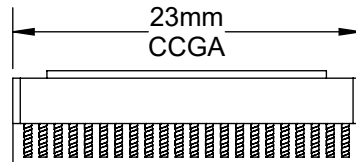


SECTION A-A

TopLine®

TITLE			
CCGA483 TRAY BOX BLACK CARRIER			
SCALE	SIZE	DRAWING NO.	REV
3:2	A	931225	A
DO NOT SCALE DRAWING			SHEET 4 OF 13

**CCGA483
COLUMNS 22x22**



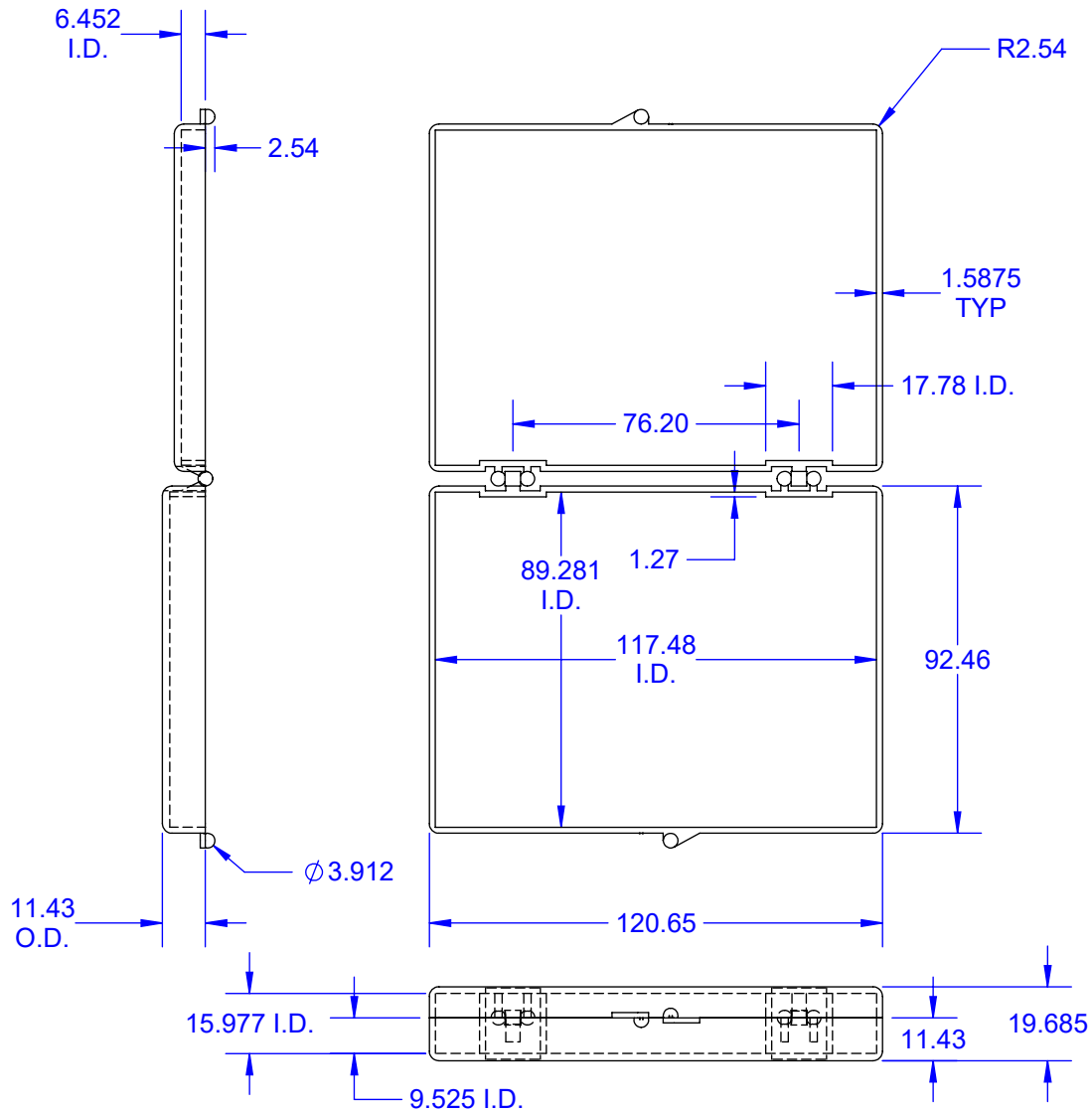
MODEL

PITCH
1.0mm TYP.

TopLine®

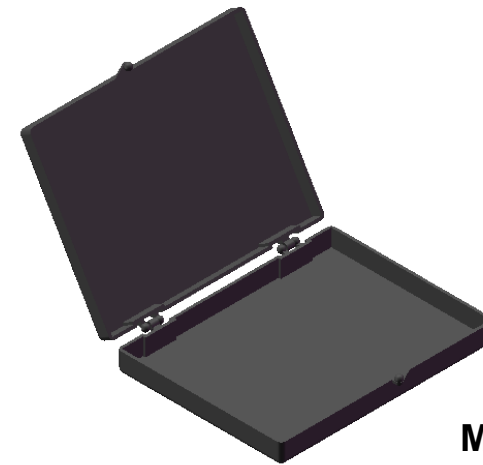
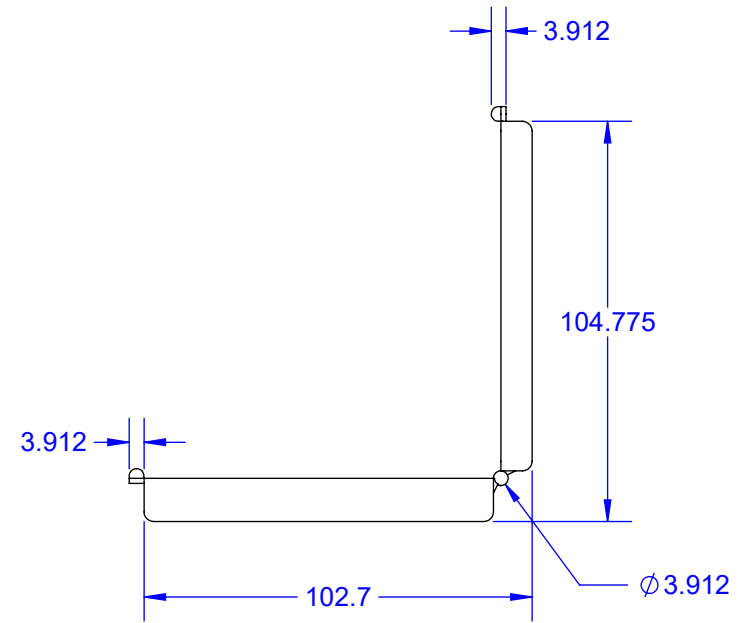
TITLE		CCGA483 TRAY BOX BLACK CARRIER	
SCALE	SIZE	DRAWING NO.	REV
2:1	A	931225	A
DO NOT SCALE DRAWING		SHEET 5 OF 13	

TOP (OPEN)



FRONT (CLOSED)

SIDE VIEW (OPEN)



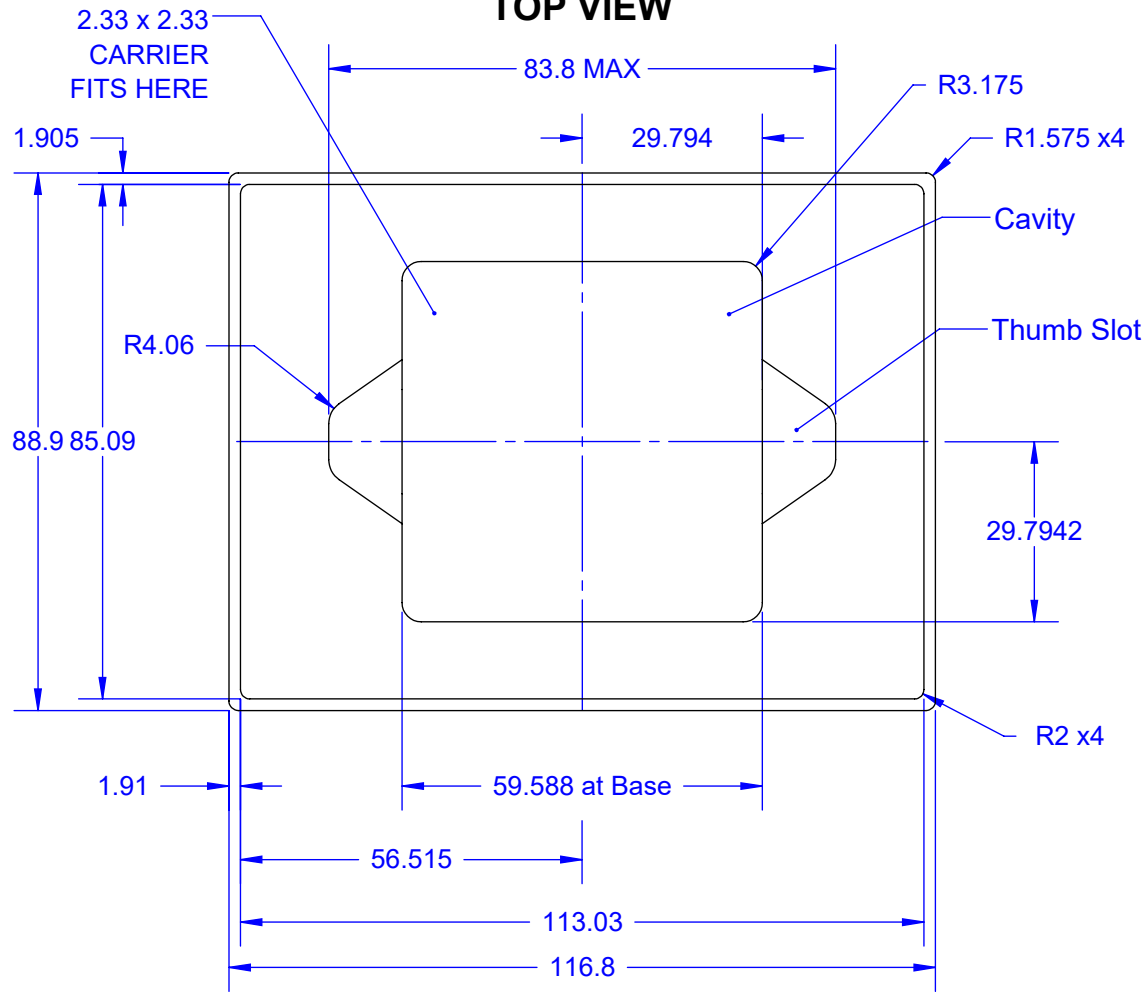
MODEL

Notes: (Unless Otherwise Specified).

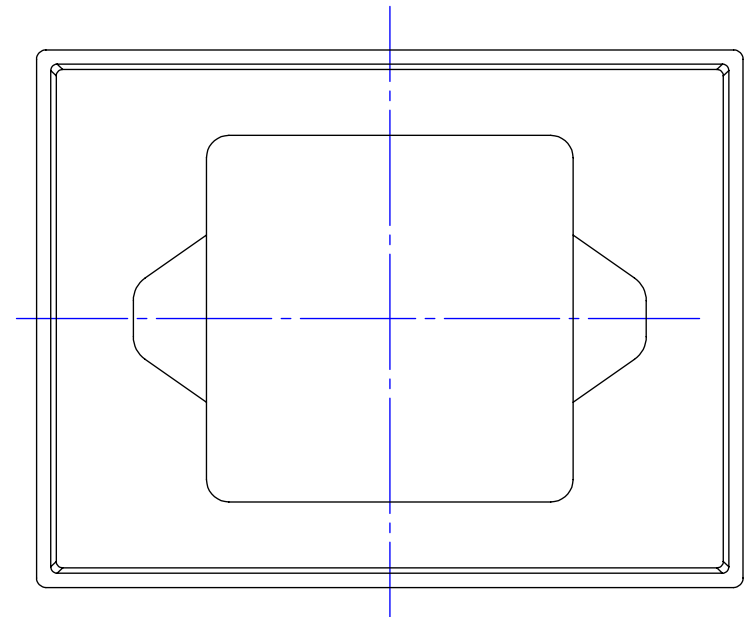
- 1) SURFACE RESISTIVITY: $10^4 \sim 10^5 \Omega$.
- 2) MATERIAL: CARBON FILLED POLYPROPYLENE.
- 3) DIMENSIONS IN INCHES.

TopLine®			
TITLE		EC1-15mm EMPTY HINGE BOX	
SCALE	SIZE	DRAWING NO.	REV
1:2	A	090625	A
DO NOT SCALE DRAWING			SHEET 6 OF 13

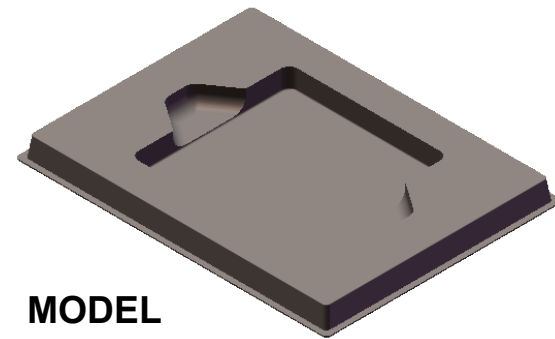
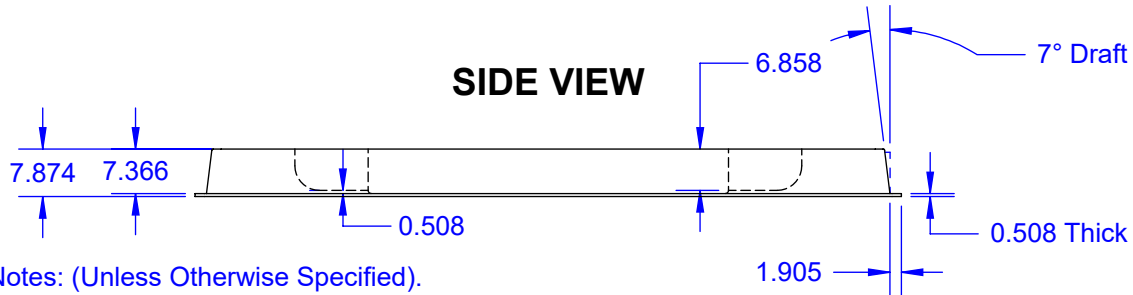
TOP VIEW



BOTTOM VIEW



SIDE VIEW



MODEL

- Notes: (Unless Otherwise Specified).
 1) DIMENSIONS: INCHES.
 2) MATERIAL: CONDUCTIVE STYRENE.
 3) SURFACE RESISTIVITY <math>< 10^4 \Omega</math>.

TopLine®

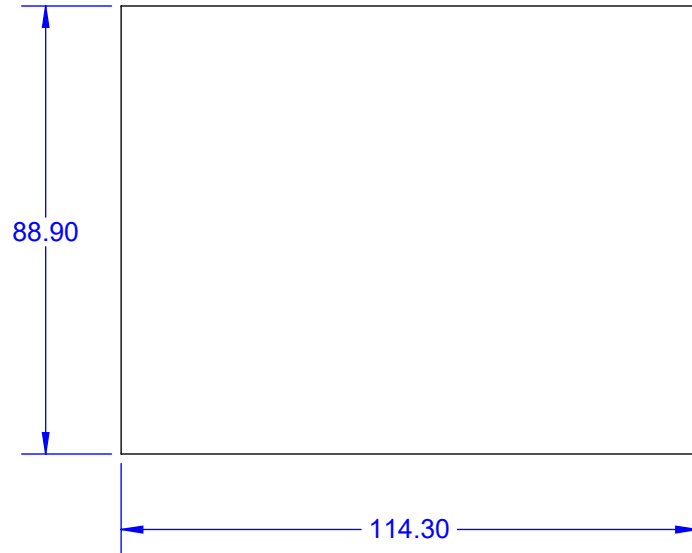
TITLE CCGA TRAY INSERT
FOR 4.625 x 3.5 HINGE BOX

SCALE	SIZE	DRAWING NO.	REV
2:2.5	A	140110	A

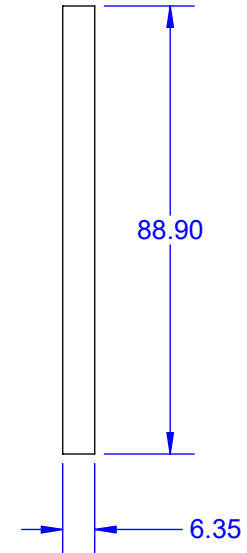
DO NOT SCALE DRAWING

SHEET 7 OF 13

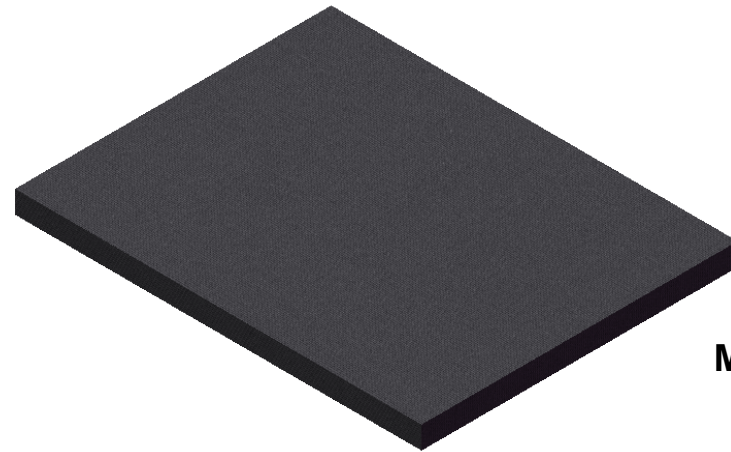
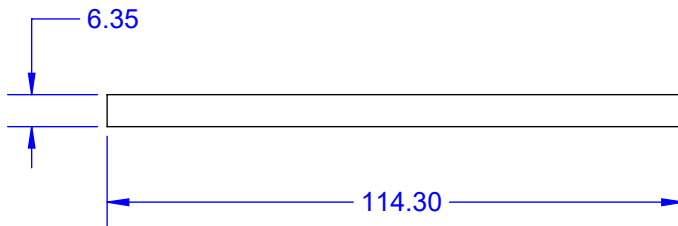
TOP



EDGE



SIDE

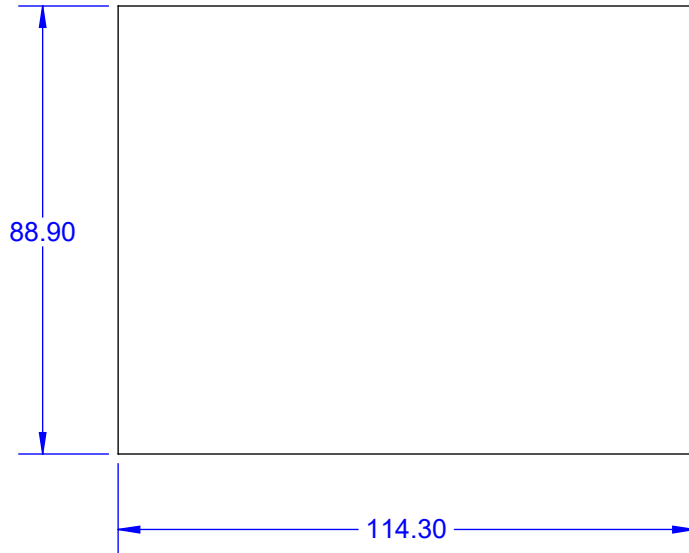


MODEL

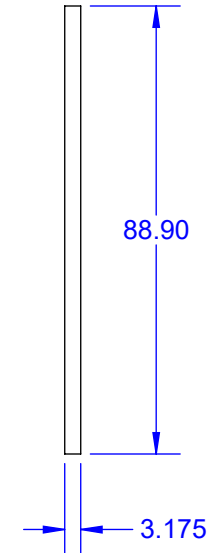
- Notes: (Unless Otherwise Specified).
- 1) SURFACE RESISTIVITY: $10^5 \sim 10^6 \Omega$
 - 3) DENSITY 1.7 PFC Min.
 - 4) DIMENSIONS IN INCHES.

TopLine®			
TITLE		EC1-FOAM-SOFT-.25-A LOW DENSITY FOAM	
SCALE	SIZE	DRAWING NO.	REV
1:1.5	A	090003	A
DO NOT SCALE DRAWING			SHEET 8 OF 13

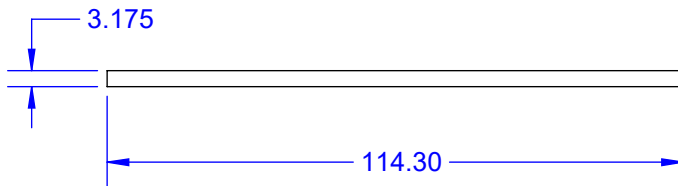
TOP



EDGE



SIDE

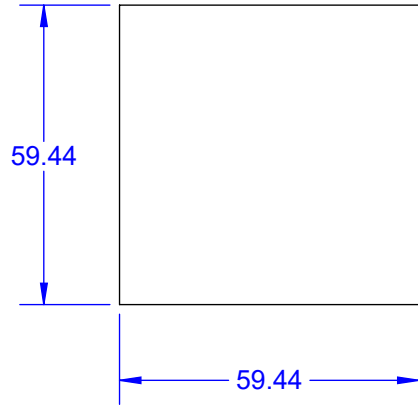


MODEL

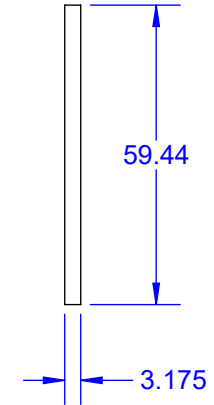
- Notes: (Unless Otherwise Specified).
- 1) SURFACE RESISTIVITY: $10^5 \sim 10^6 \Omega$
 - 3) DENSITY 1.7 PFC Min.
 - 4) DIMENSIONS IN INCHES.

TopLine®			
TITLE EC1-FOAM-SOFT-.125-A LOW DENSITY FOAM			
SCALE 1:1.5	SIZE A	DRAWING NO. 090006	REV A
DO NOT SCALE DRAWING		SHEET 9 OF 13	

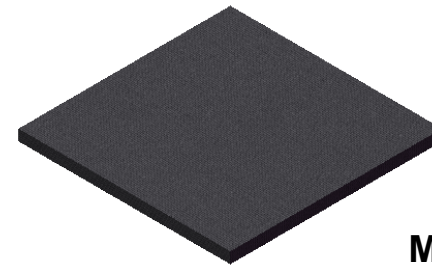
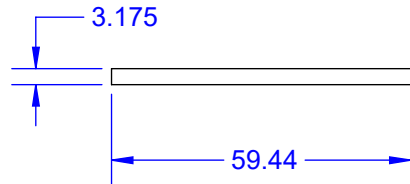
TOP



EDGE



SIDE

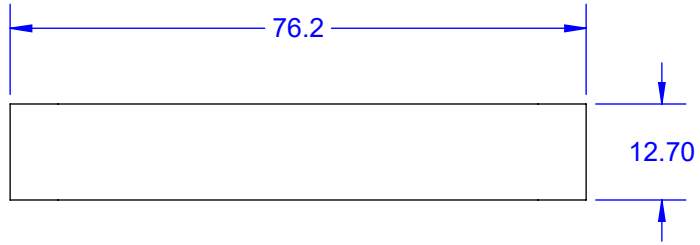


MODEL

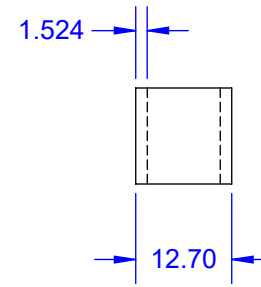
- Notes: (Unless Otherwise Specified).
- 1) SURFACE RESISTIVITY: $10^5 \sim 10^6 \Omega$.
 - 2) SOFT CONDUCTIVE FOAM.
 - 3) DENSITY 1.7 PFC Min.

TopLine[®]			
TITLE		LOW DENSITY FOAM FOAM-SOFT-2.34A	
SCALE	SIZE	DRAWING NO.	REV
1:1.5	A	090011	A
DO NOT SCALE DRAWING			SHEET 10 OF 13

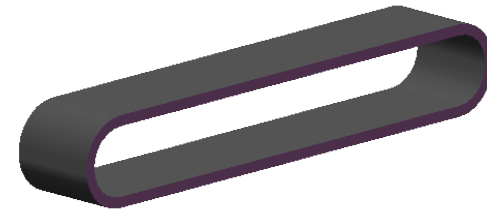
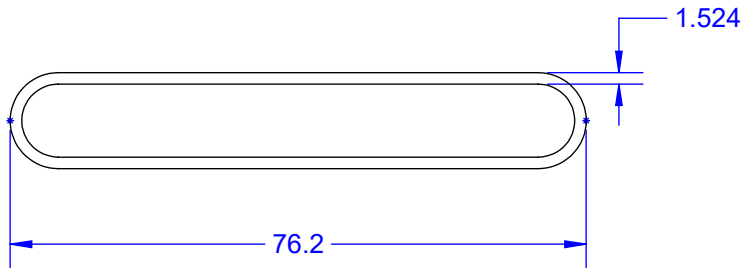
TOP



EDGE



SIDE



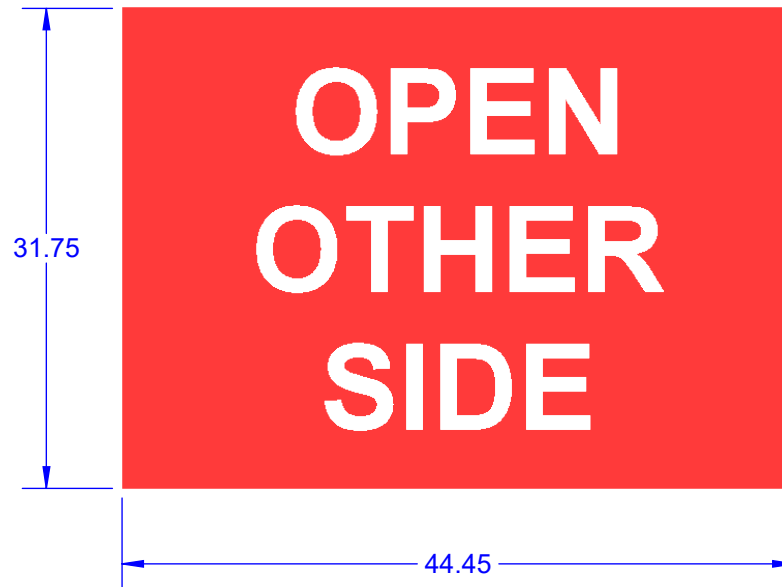
MODEL

Notes: (Unless Otherwise Specified).

1) SURFACE RESISTIVITY: $10^5 \sim 10^6$.

2) DIMENSIONS IN INCHES (RESTING POSITION).

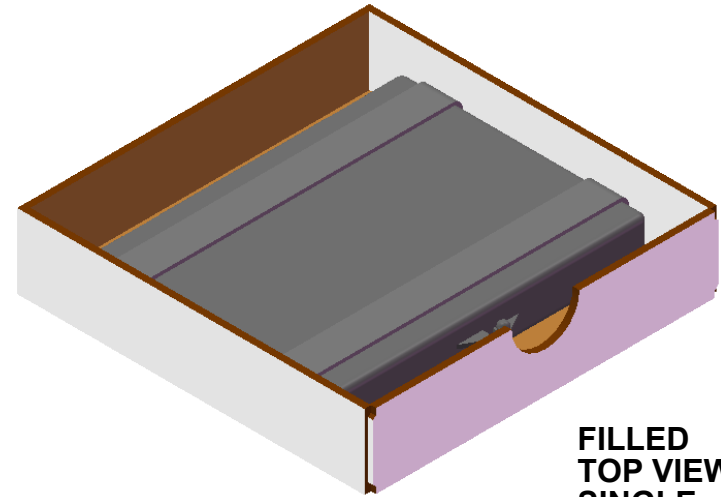
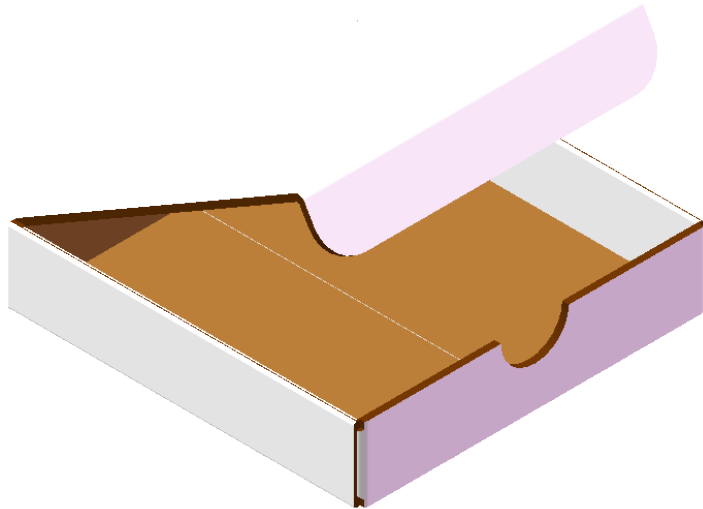
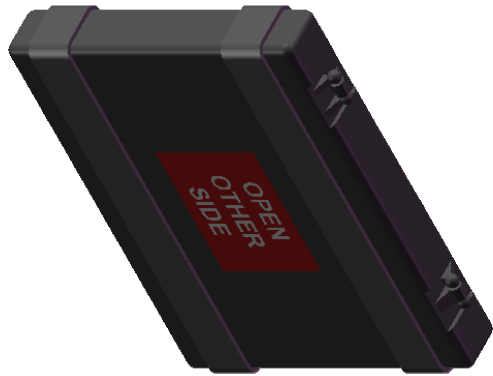
TopLine®			
TITLE		RUBBER BAND-3.0-C BLACK CONDUCTIVE	
SCALE	SIZE	DRAWING NO.	REV
1:1	A	090005	A
DO NOT SCALE DRAWING			SHEET 11 OF 13



Notes: (Unless Otherwise Specified).

1. DIMENSIONS INCHES.
2. MATERIAL: PAPER LABEL WITH ADHESIVE.
3. COLOR: RED.
4. PURPOSE: IDENTIFY BOTTOM OF HINGE BOX.

TopLine[®]			
TITLE		LABEL FOR BOTTOM OF HINGE BOX	
SCALE	SIZE	DRAWING NO.	REV
2:1	A	090009	A
DO NOT SCALE DRAWING			SHEET 12 OF 13



**FILLED
TOP VIEW
SINGLE**

Notes: (Unless Otherwise Specified).

1. DIMENSIONS INCHES.
2. MEASUREMENT INCLUDES RUBBER BANDS.
3. BOX SIZE SUBJECT TO CHANGE.

TopLine®

TITLE CCGA TRAY BOX CARRIER
CARTON

SCALE 1:2	SIZE A	DRAWING NO. 900001	REV A
--------------	-----------	-----------------------	----------

DO NOT SCALE DRAWING

SHEET 13 OF 13