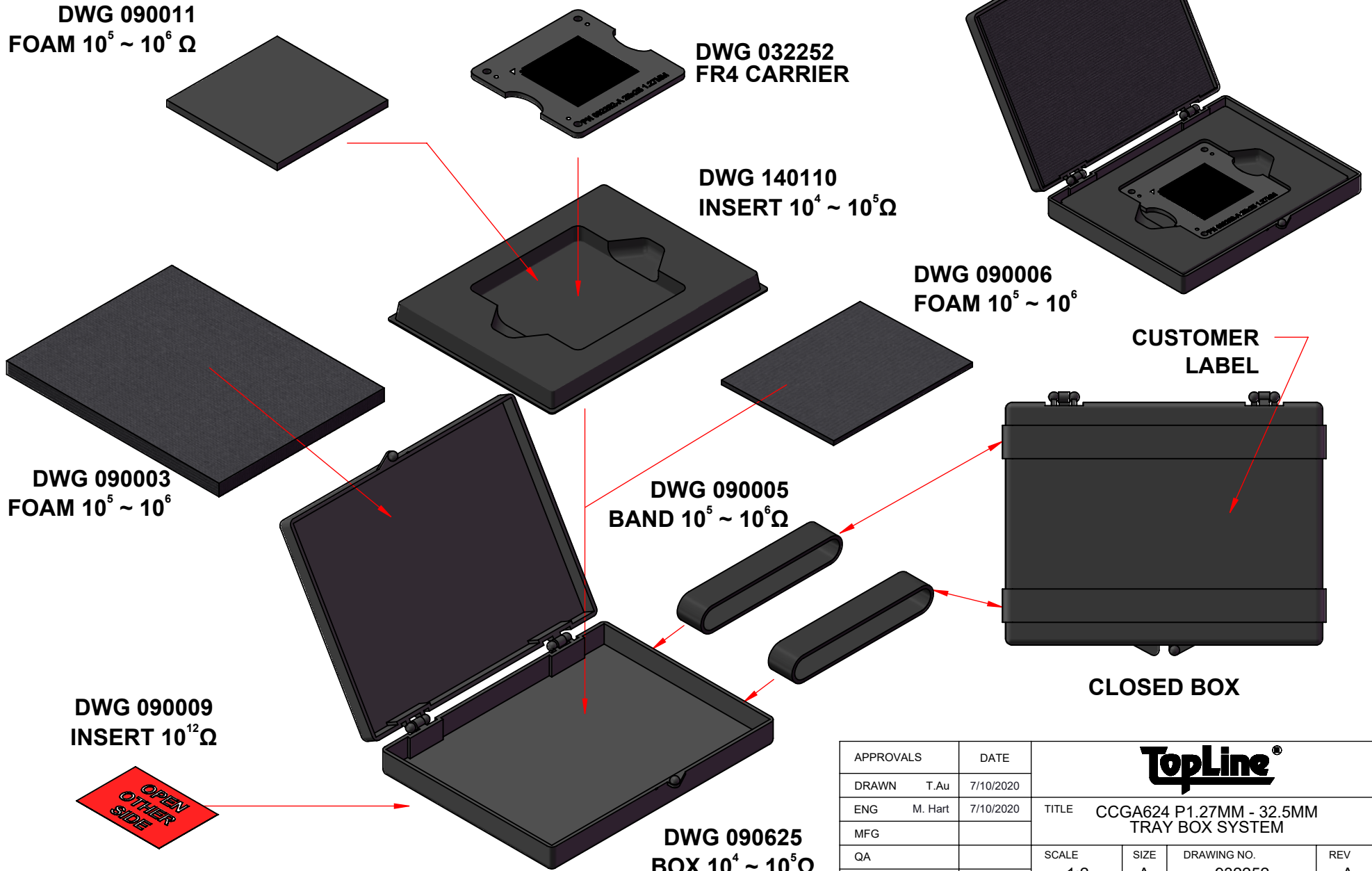
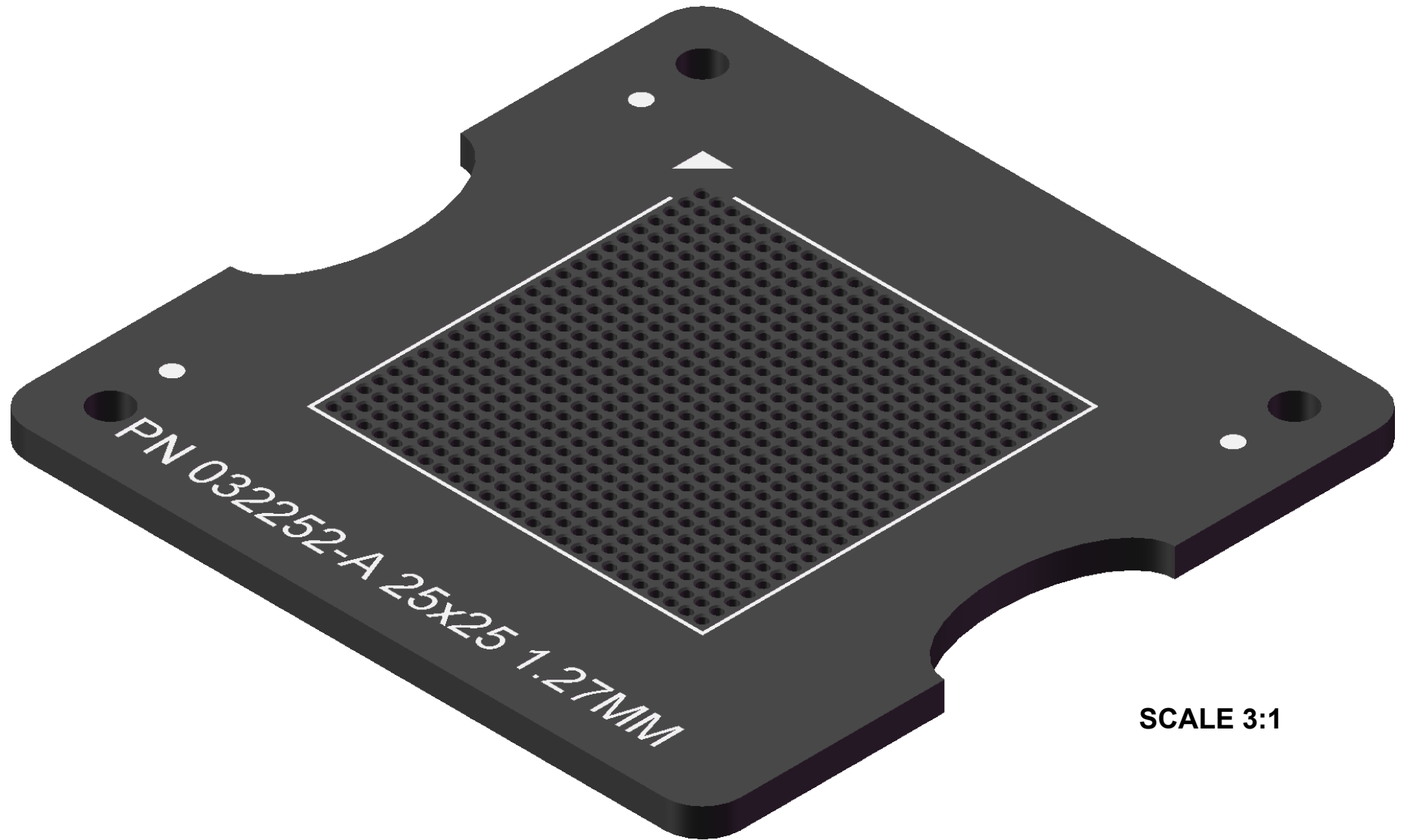


# EXPLODED VIEW CCGA TRAY BOX SYSTEM 1.27MM PITCH



APPROVALS	DATE	<b>TopLine®</b>		
DRAWN T. Au	7/10/2020			
ENG M. Hart	7/10/2020	TITLE CCGA624 P1.27MM - 32.5MM TRAY BOX SYSTEM		
MFG		SCALE	SIZE	DRAWING NO.
QA		1:2	A	932252
CUST				REV A
REVISED		DO NOT SCALE DRAWING		SHEET 1 OF 11

MODEL

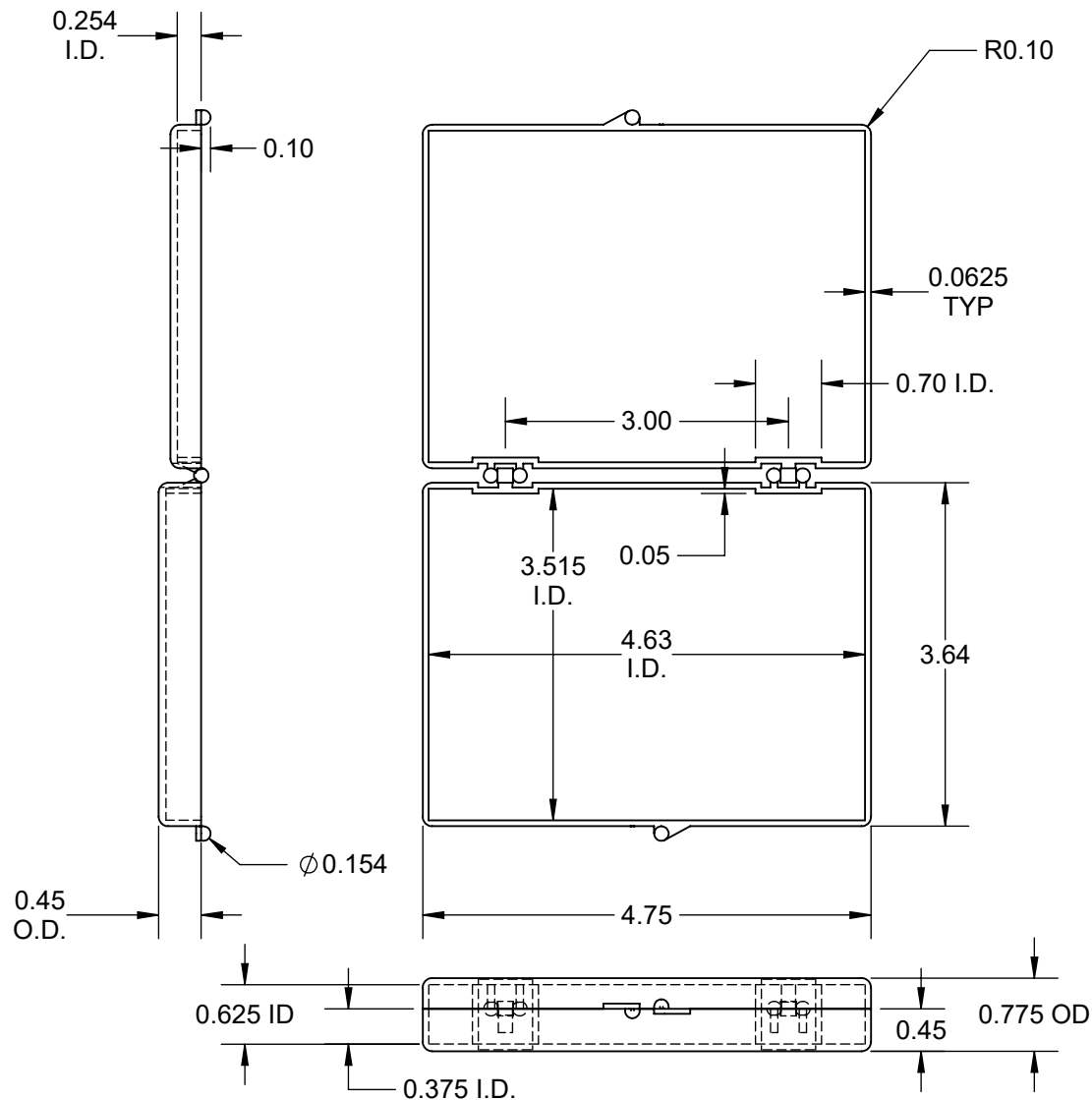


SCALE 3:1

<b>TopLine<sup>®</sup></b>			
TITLE CCGA624 P1.27MM - 32.5MM TRAY BOX SYSTEM			
SCALE 3:1	SIZE A	DRAWING NO. 932252	REV A
DO NOT SCALE DRAWING			SHEET 2 OF 11

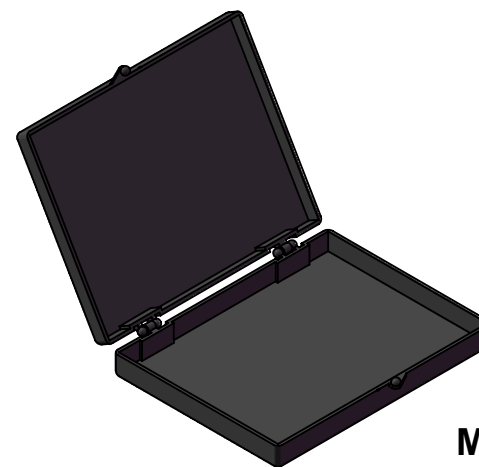
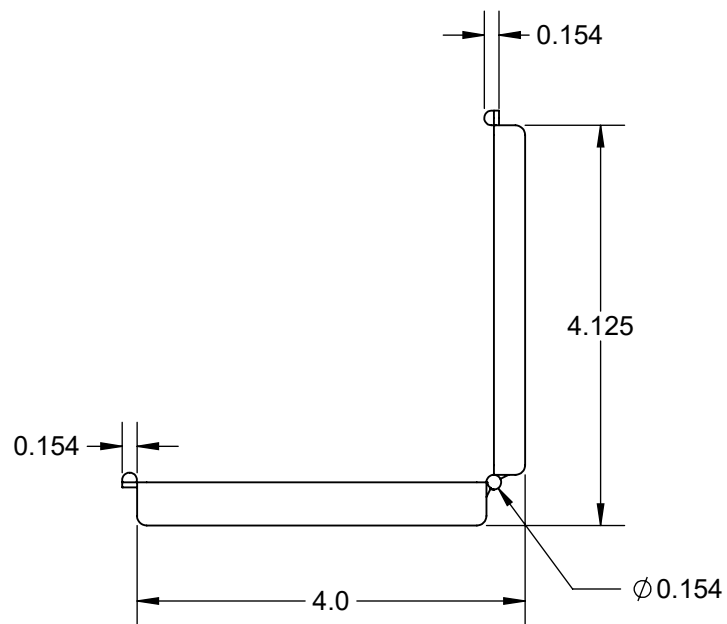


**TOP (OPEN)**



**FRONT (CLOSED)**

**SIDE VIEW (OPEN)**



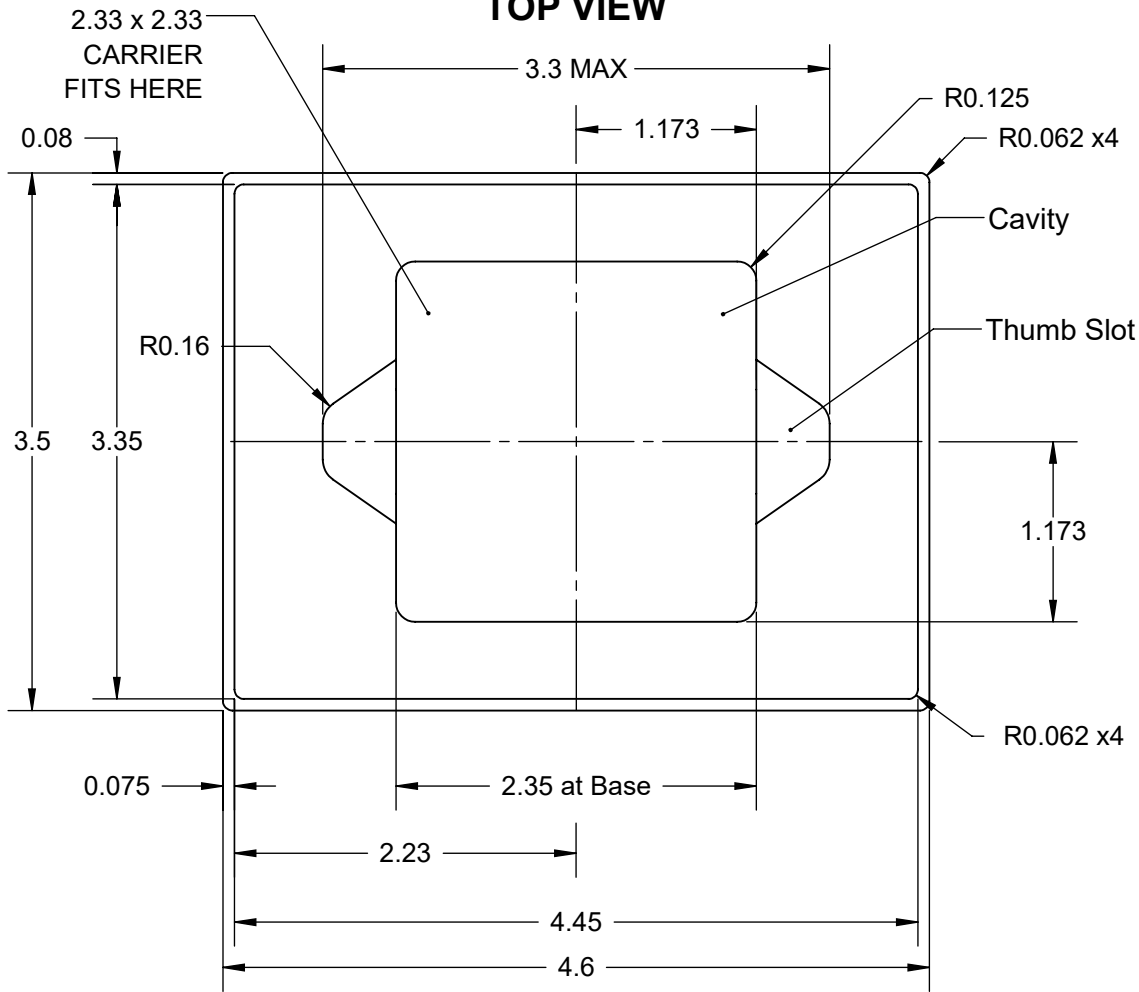
**MODEL**

Notes: (Unless Otherwise Specified).

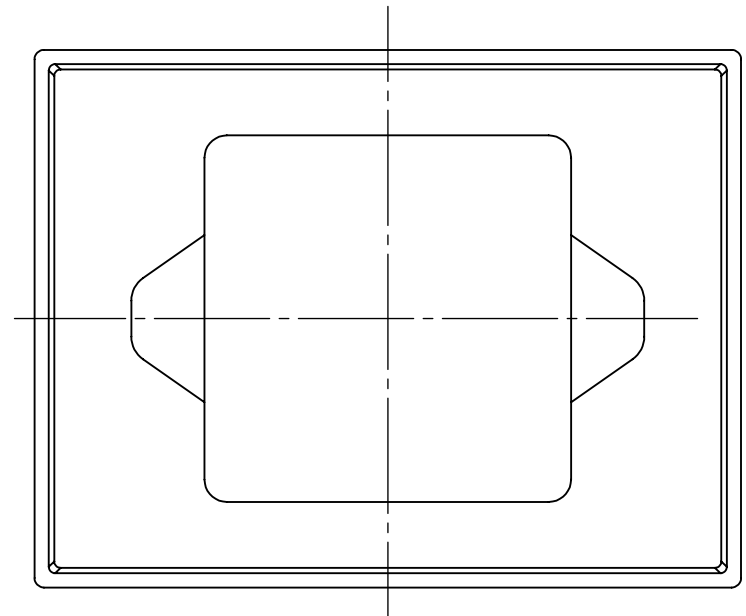
- 1) SURFACE RESISTIVITY:  $10^3 \Omega$  TO  $10^6 \Omega$  PER SQUARE.
- 2) MATERIAL: CARBON FILLED POLYPROPYLENE.
- 3) DIMENSIONS IN INCHES.

<b>TopLine®</b>			
TITLE		EC1-15mm EMPTY HINGE BOX	
SCALE	SIZE	DRAWING NO.	REV
1:2	A	090625	A
DO NOT SCALE DRAWING			SHEET 4 OF 11

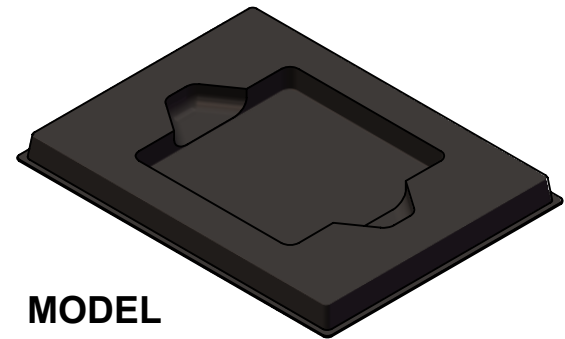
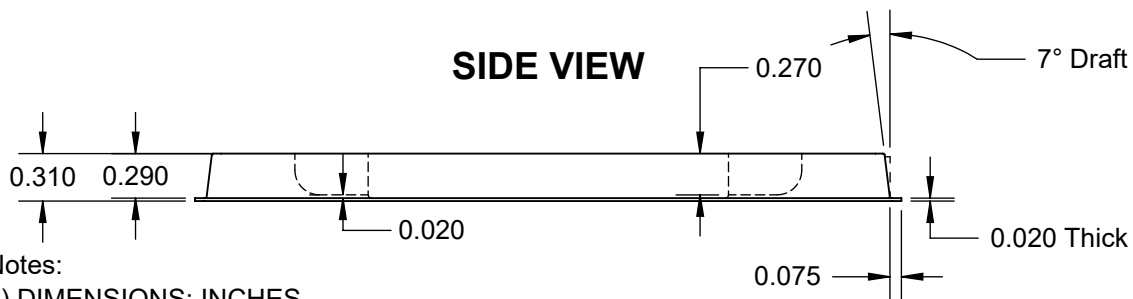
### TOP VIEW



### BOTTOM VIEW



### SIDE VIEW



MODEL

**Notes:**

- 1) DIMENSIONS: INCHES.
- 2) MATERIAL: CONDUCTIVE STYRENE.
- 3) SURFACE RESISTIVITY <math>< 10^4 \Omega</math>.

**TopLine®**

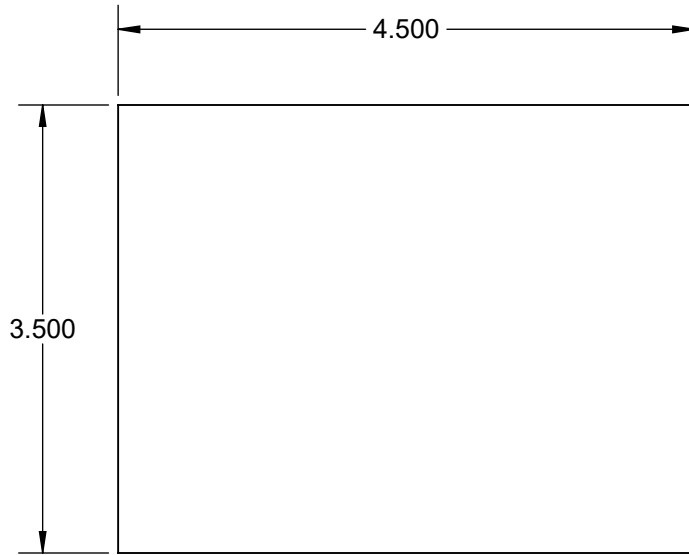
TITLE CCGA TRAY INSERT  
FOR 4.625 x 3.5 HINGE BOX

SCALE	SIZE	DRAWING NO.	REV
2:2.5	A	140110	A

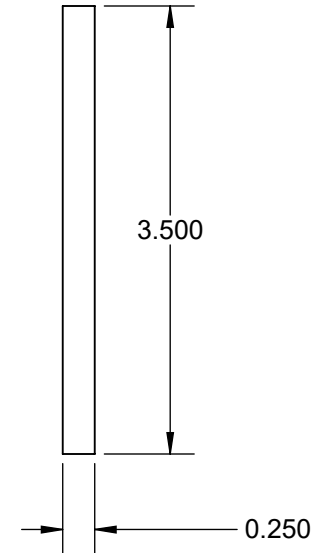
DO NOT SCALE DRAWING

SHEET 5 OF 11

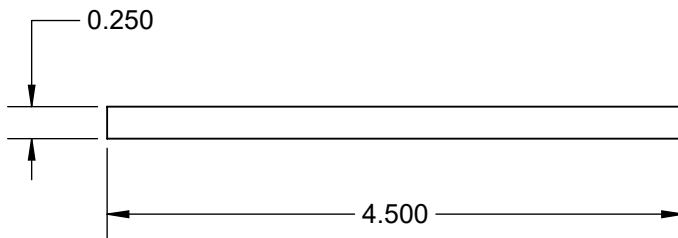
**TOP**



**EDGE**



**SIDE**



**MODEL**

Notes: (Unless Otherwise Specified).

- 1) SURFACE RESISTIVITY:  $10^5\Omega$  TO  $10^6\Omega$  PER SQUARE.
- 2) SOFT CONDUCTIVE FOAM.
- 3) DENSITY 1.7 PFC Min.
- 4) DIMENSIONS IN INCHES.

**TopLine®**

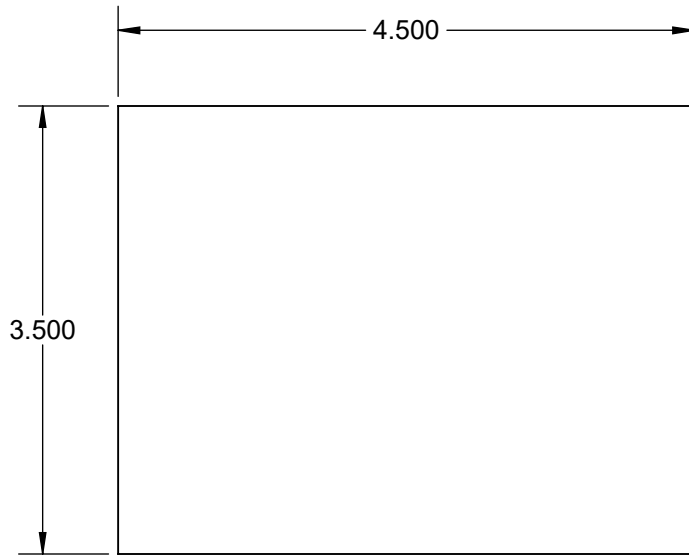
TITLE EC1-FOAM-SOFT-.25B  
LOW DENSITY FOAM

SCALE 1:1.5	SIZE A	DRAWING NO. 090003	REV A
----------------	-----------	-----------------------	----------

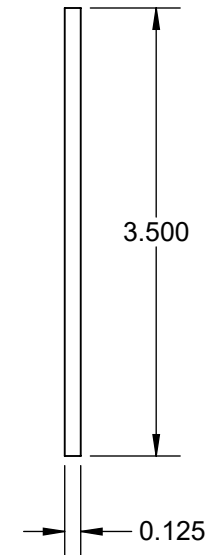
DO NOT SCALE DRAWING

SHEET 6 OF 11

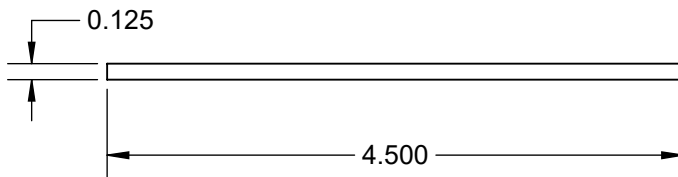
**TOP**



**EDGE**



**SIDE**



**MODEL**

Notes: (Unless Otherwise Specified).

- 1) SURFACE RESISTIVITY:  $10^5\Omega$  TO  $10^6\Omega$  PER SQUARE.
- 2) SOFT CONDUCTIVE FOAM.
- 3) DENSITY 1.7 PFC Min.
- 4) DIMENSIONS IN INCHES.

**TopLine®**

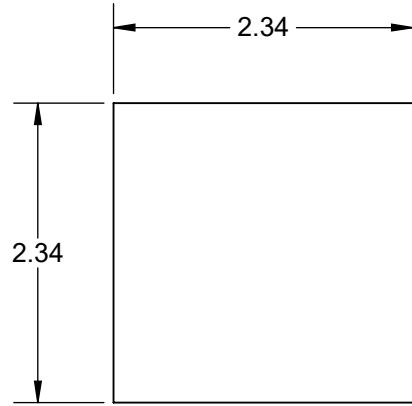
TITLE EC1-FOAM-SOFT-.125A  
LOW DENSITY FOAM

SCALE 1:1.5	SIZE A	DRAWING NO. 090006	REV A
----------------	-----------	-----------------------	----------

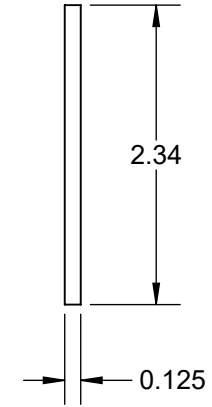
DO NOT SCALE DRAWING

SHEET 7 OF 11

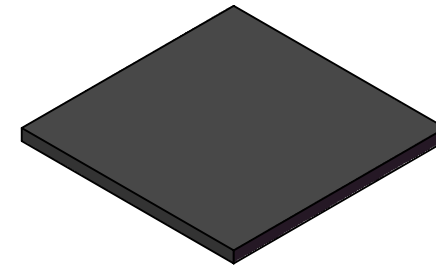
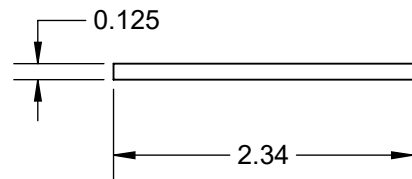
### TOP



### EDGE



### SIDE



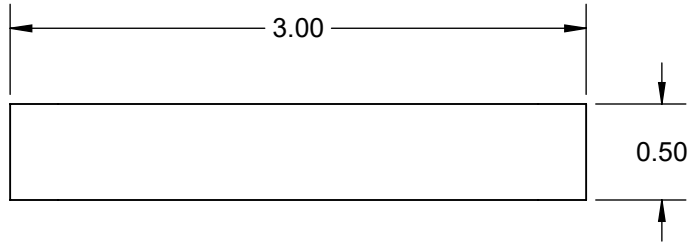
### MODEL

Notes: (Unless Otherwise Specified).

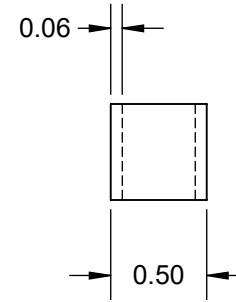
- 1) SURFACE RESISTIVITY:  $10^3\Omega$  TO  $10^6\Omega$  PER SQUARE.
- 2) SOFT CONDUCTIVE FOAM.
- 3) DENSITY 1.7 PFC Min.
- 4) DIMENSIONS IN INCHES.

<b>TopLine<sup>®</sup></b>			
TITLE		LOW DENSITY FOAM FOAM-SOFT-2.34-A	
SCALE	SIZE	DRAWING NO.	REV
1:1.5	A	090011	A
DO NOT SCALE DRAWING			SHEET 8 OF 11

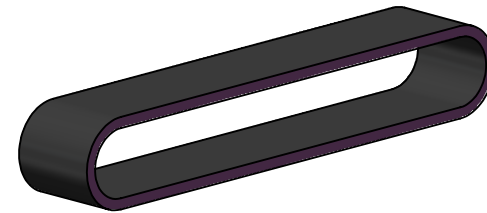
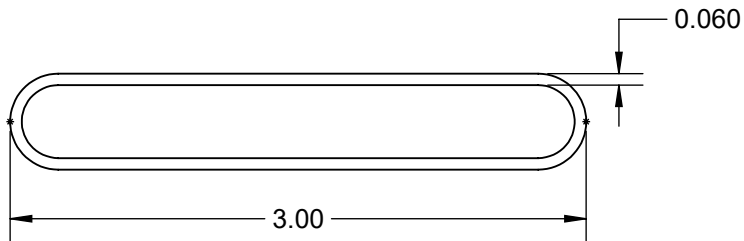
### TOP



### EDGE



### SIDE

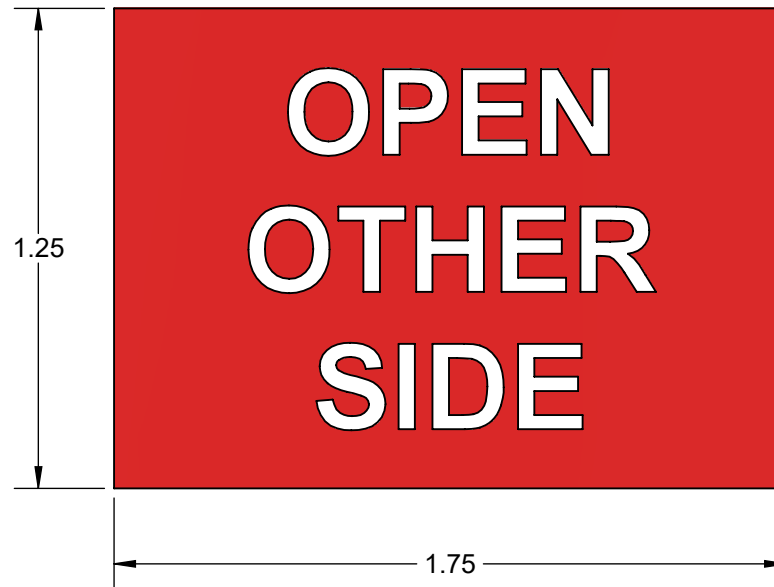


### MODEL

Notes: (Unless Otherwise Specified).

- 1) SURFACE RESISTIVITY:  $10^3 \Omega$  TO  $10^6 \Omega$  PER SQUARE.
- 2) DIMENSIONS in INCHES (RESTING POSITION).

<b>TopLine<sup>®</sup></b>			
TITLE		RUBBER BAND-3.0-C BLACK CONDUCTIVE	
SCALE	SIZE	DRAWING NO.	REV
1:1	A	090005	A
DO NOT SCALE DRAWING			SHEET 9 OF 11

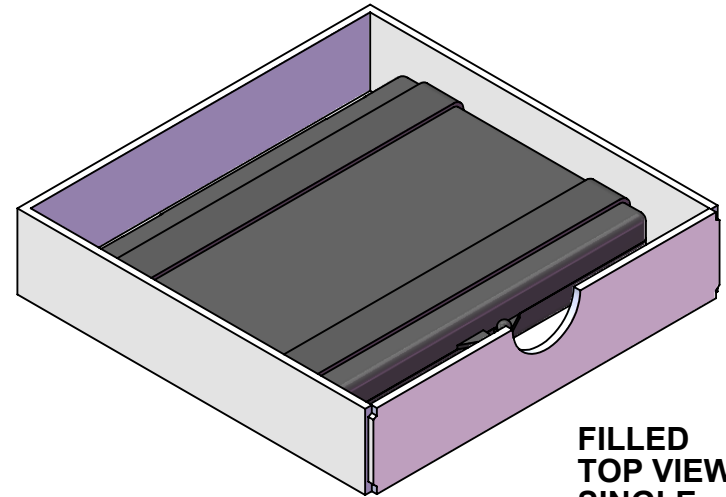
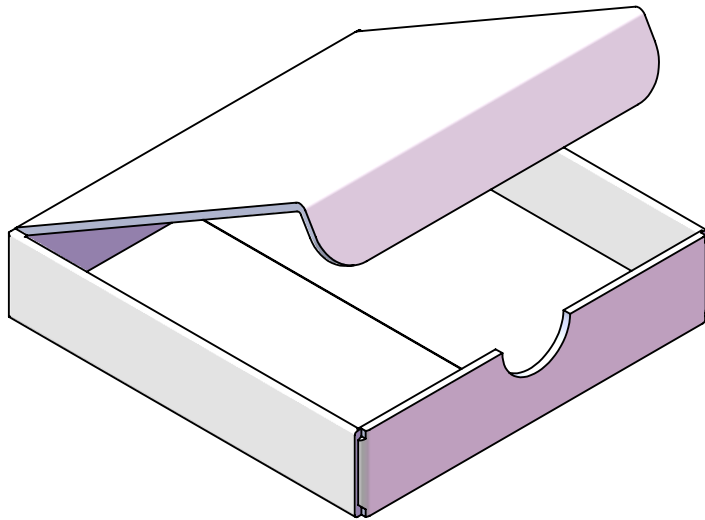


Notes: (Unless Otherwise Specified).

1. DIMENSIONS INCHES.
2. MATERIAL: PAPER LABEL WITH ADHESIVE.
3. COLOR: RED.
4. PURPOSE: IDENTIFY BOTTOM OF HINGE BOX.

<b>TopLine<sup>®</sup></b>			
TITLE		LABEL FOR BOTTOM OF HINGE BOX	
SCALE	SIZE	DRAWING NO.	REV
2:1	A	090005	A
DO NOT SCALE DRAWING			SHEET 10 OF 11

QTY = 1



FILLED  
TOP VIEW  
SINGLE

Notes: (Unless Otherwise Specified).

1. DIMENSIONS INCHES.
2. MEASUREMENT INCLUDES RUBBER BANDS.
3. BOX SIZE SUBJECT TO CHANGE.

**TopLine**<sup>®</sup>

TITLE CCGA TRAY BOX CARRIER  
CARTON

SCALE 1:2	SIZE A	DRAWING NO. 900001	REV A
--------------	-----------	-----------------------	----------

DO NOT SCALE DRAWING

SHEET 11 OF 11