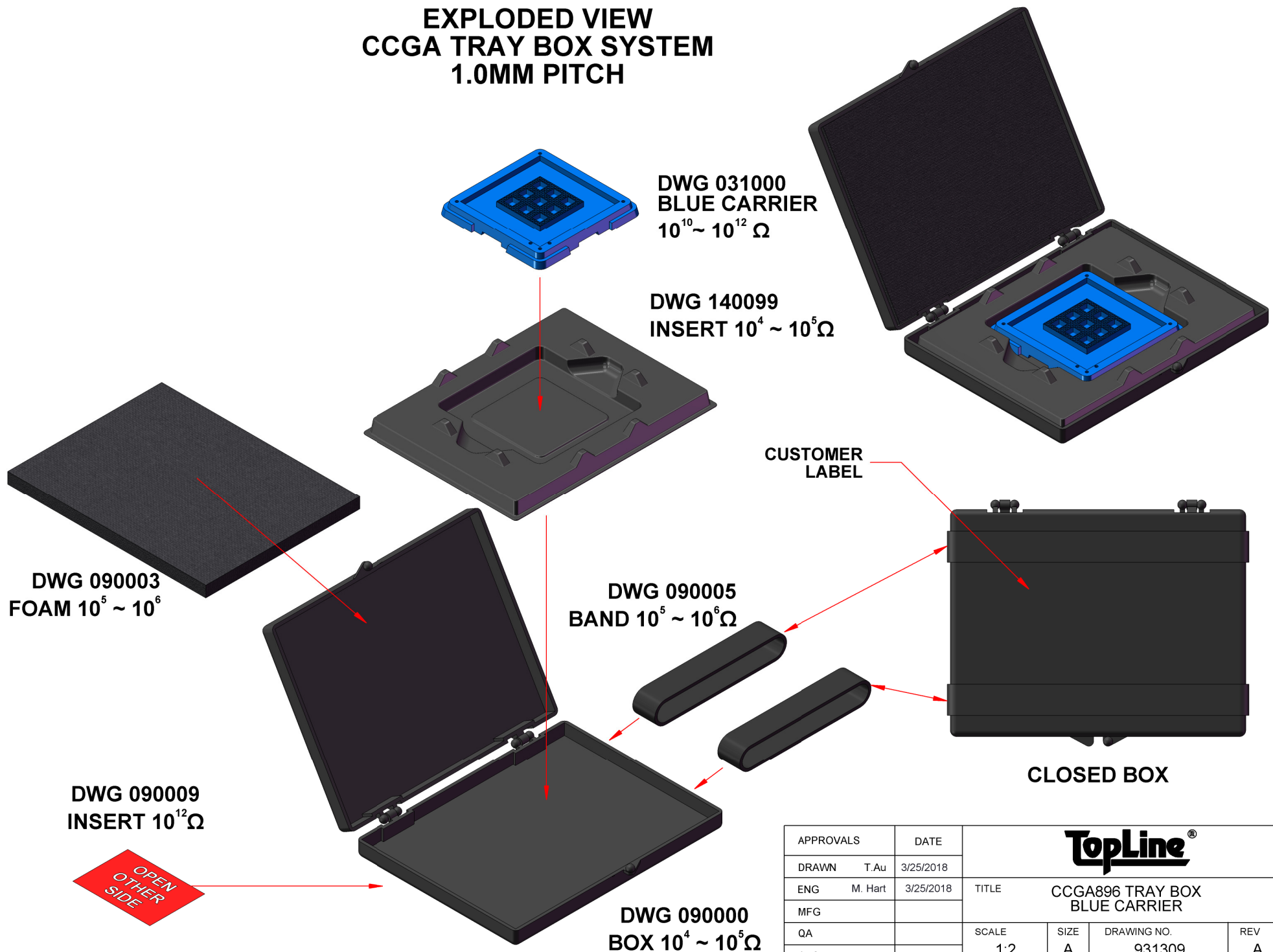


EXPLODED VIEW CCGA TRAY BOX SYSTEM 1.0MM PITCH



DWG 031000
BLUE CARRIER
 $10^{10} \sim 10^{12} \Omega$

DWG 140099
INSERT $10^4 \sim 10^5 \Omega$

DWG 090003
FOAM $10^5 \sim 10^6$

DWG 090005
BAND $10^5 \sim 10^6 \Omega$

DWG 090009
INSERT $10^{12} \Omega$

DWG 090000
BOX $10^4 \sim 10^5 \Omega$

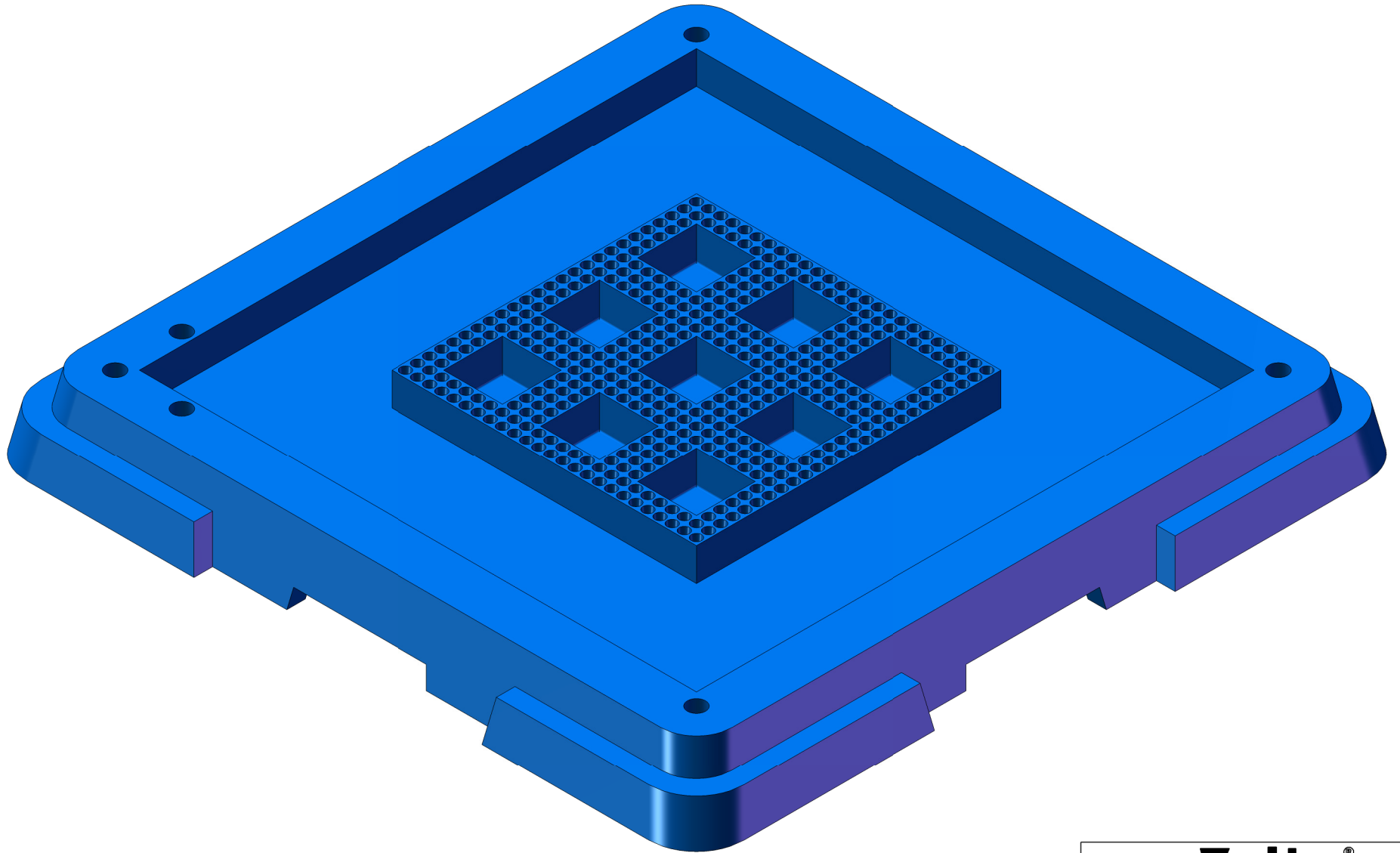
CUSTOMER LABEL

CLOSED BOX

OPEN
OTHER
SIDE

APPROVALS	DATE	TopLine®			
DRAWN T. Au	3/25/2018				
ENG M. Hart	3/25/2018	TITLE CCGA896 TRAY BOX BLUE CARRIER			
MFG		SCALE	SIZE	DRAWING NO.	REV
QA		1:2	A	931309	A
CUST		DO NOT SCALE DRAWING			SHEET 1 OF 10
REVISED					

MODEL
TOP



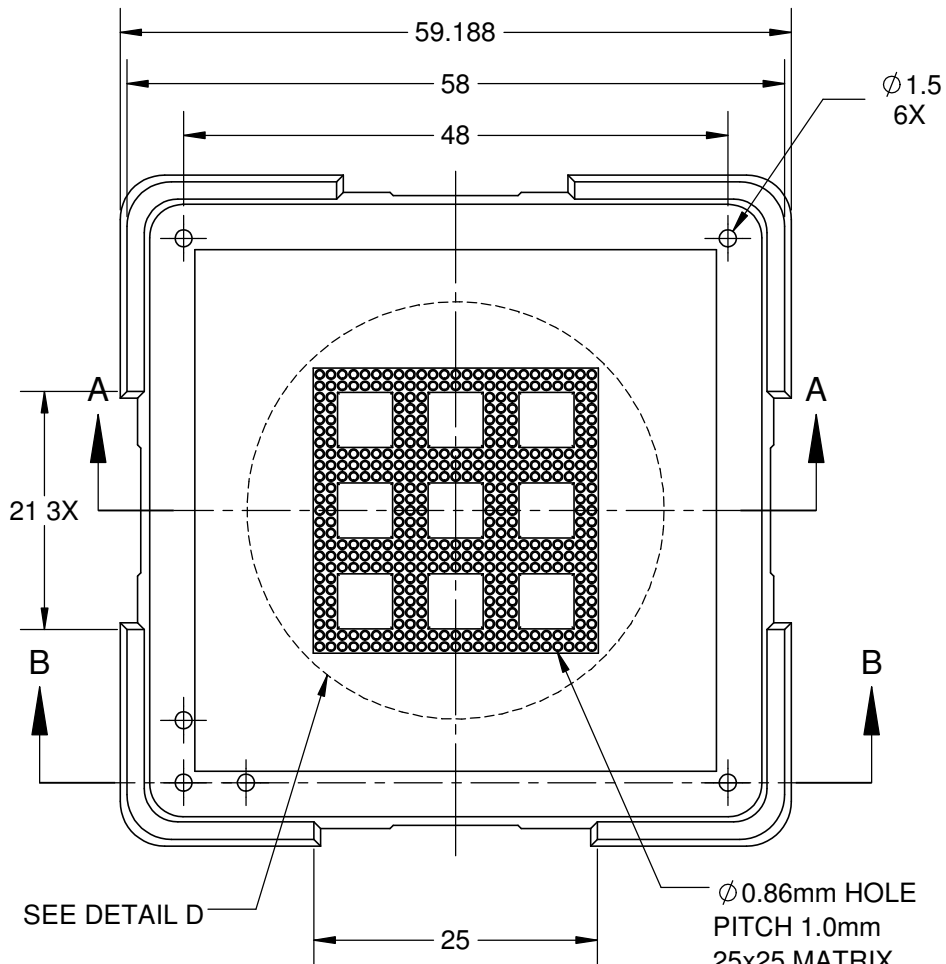
TopLine[®]

TITLE CCGA896 TRAY BOX
BLUE CARRIER

SCALE 3:1	SIZE A	DRAWING NO. 931309	REV
--------------	-----------	-----------------------	-----

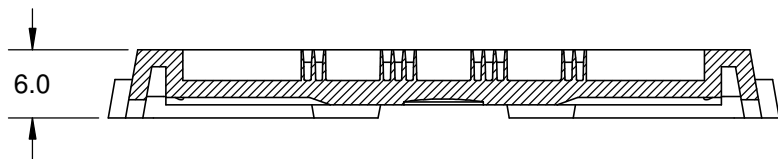
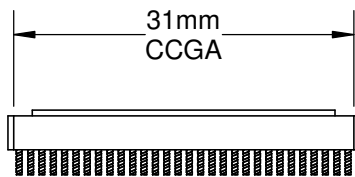
DO NOT SCALE DRAWING SHEET 2 OF 10

TOP



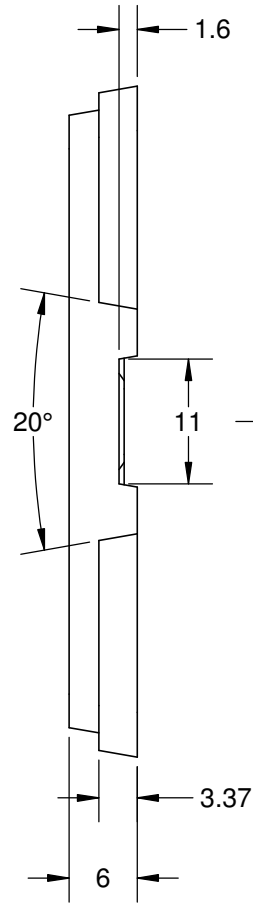
Ø1.5
6X

Ø0.86mm HOLE
PITCH 1.0mm
25x25 MATRIX
SEE DETAIL D

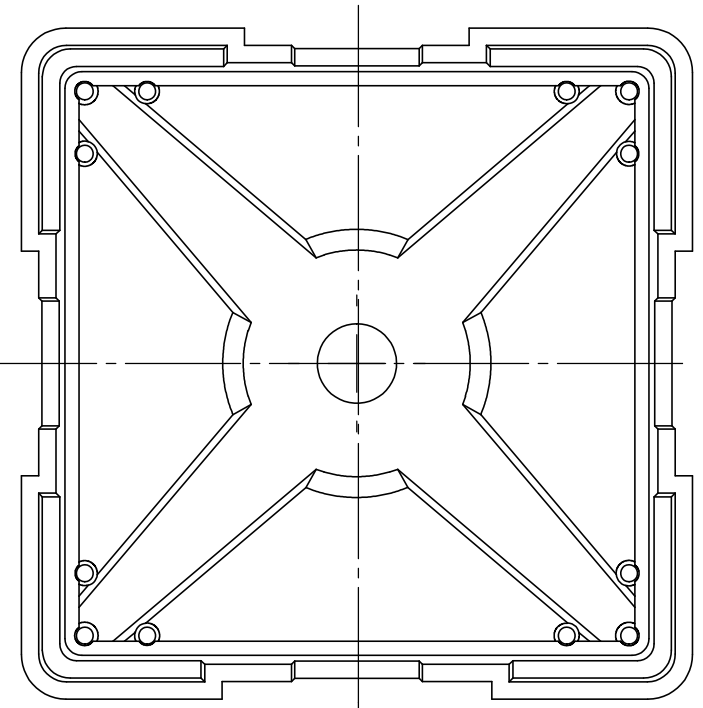


SECTION A-A

SIDE



BOTTOM



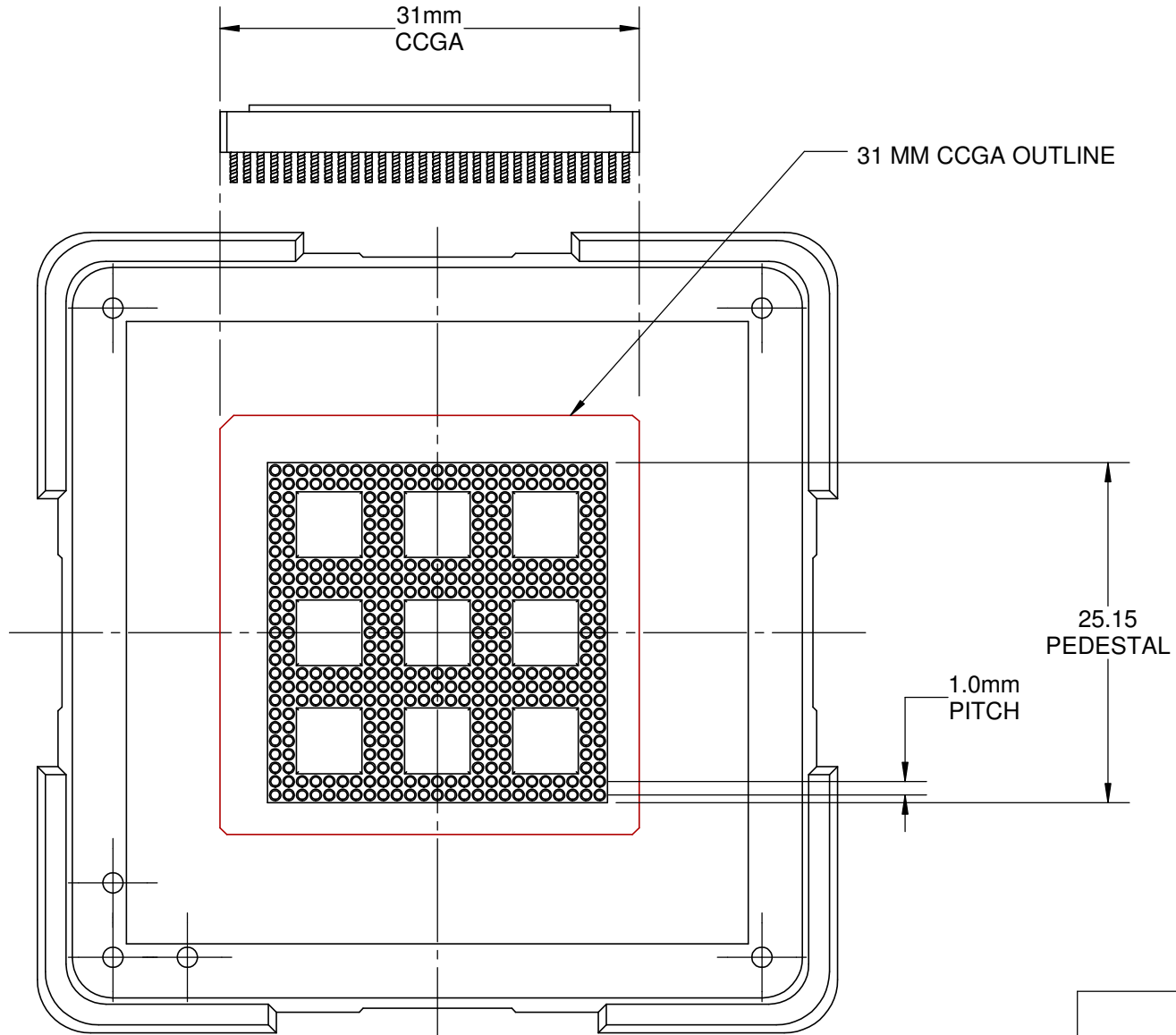
NOTES:

1. DIMENSION MM.
2. MATERIAL: BLUE ABS PERMASTAT® 600.
3. TEMPERATURE 60° MAX.
4. MASS 10.3 GRAMS.
5. PERMANENT ESD ANTI-STATIC
6. SURFACE RESISTIVITY $10^{10} \sim 10^{12} \Omega$

TopLine®

TITLE			
CCGA896 TRAY BOX BLUE CARRIER			
SCALE	SIZE	DRAWING NO.	REV
3:2	A	931309	
DO NOT SCALE DRAWING			SHEET 3 OF 10

DETAIL D

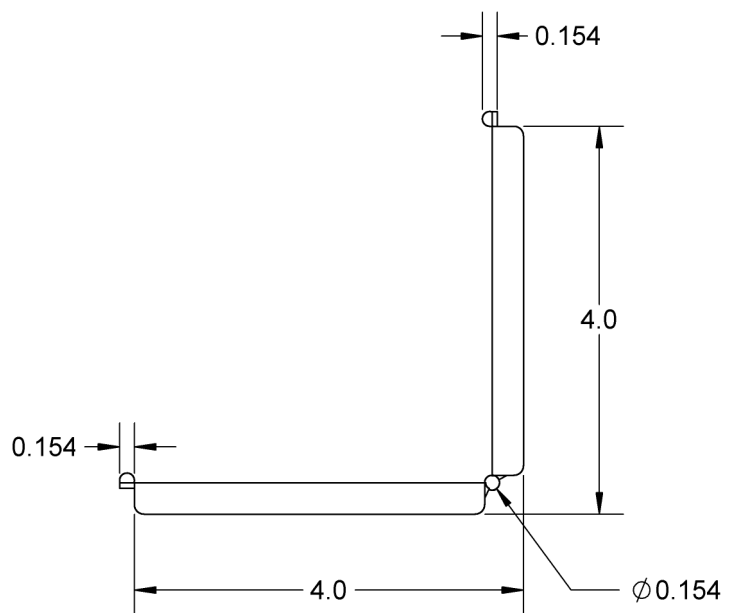
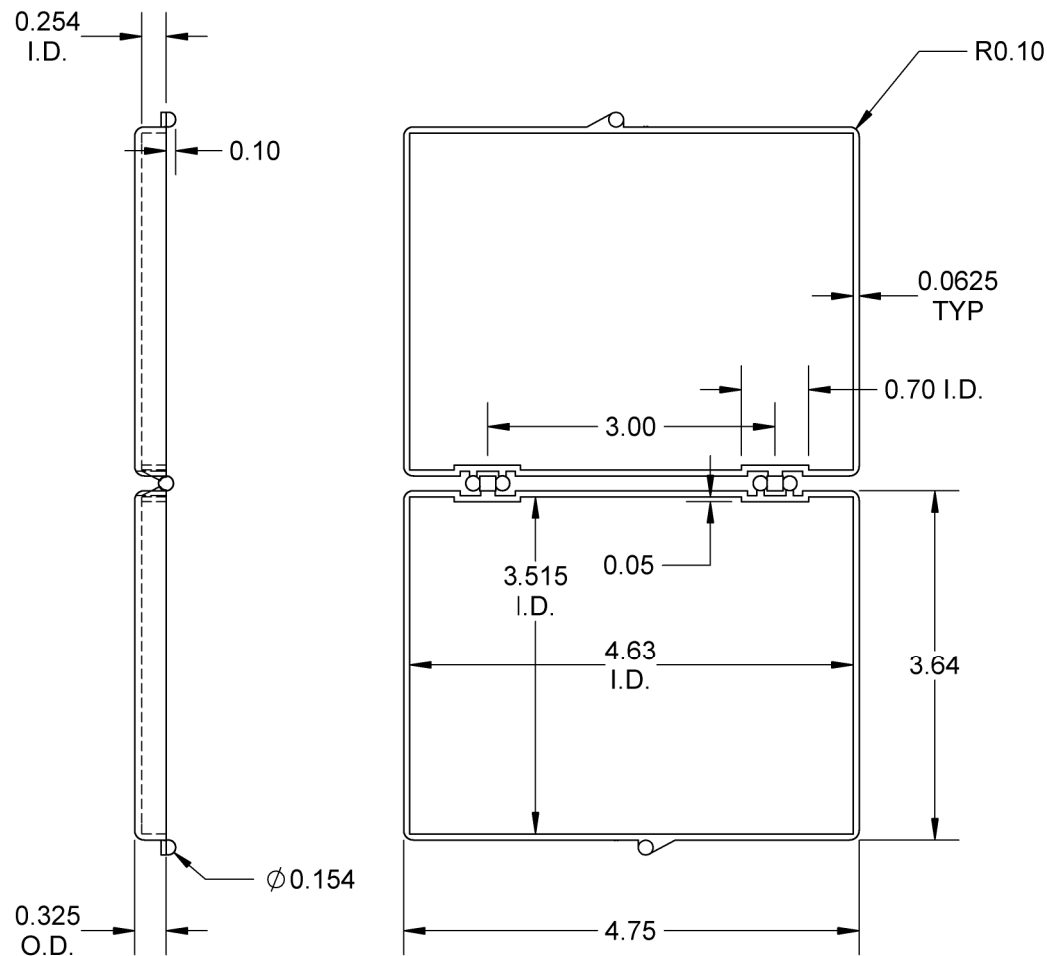


- NOTES:
 1. DIMENSIONS MM.
 2. NOT TO SCALE

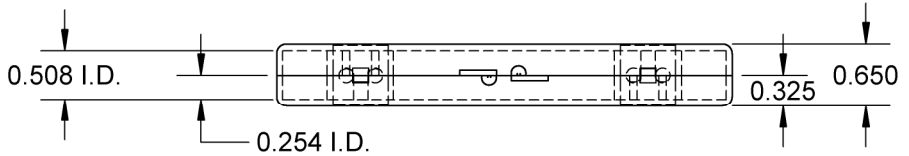
TopLine®			
TITLE		CCGA896 TRAY BOX BLUE CARRIER	
SCALE	SIZE	DRAWING NO.	REV
2:1	A	931309	
DO NOT SCALE DRAWING			SHEET 4 OF 10

TOP (OPEN)

SIDE VIEW (OPEN)



MODEL

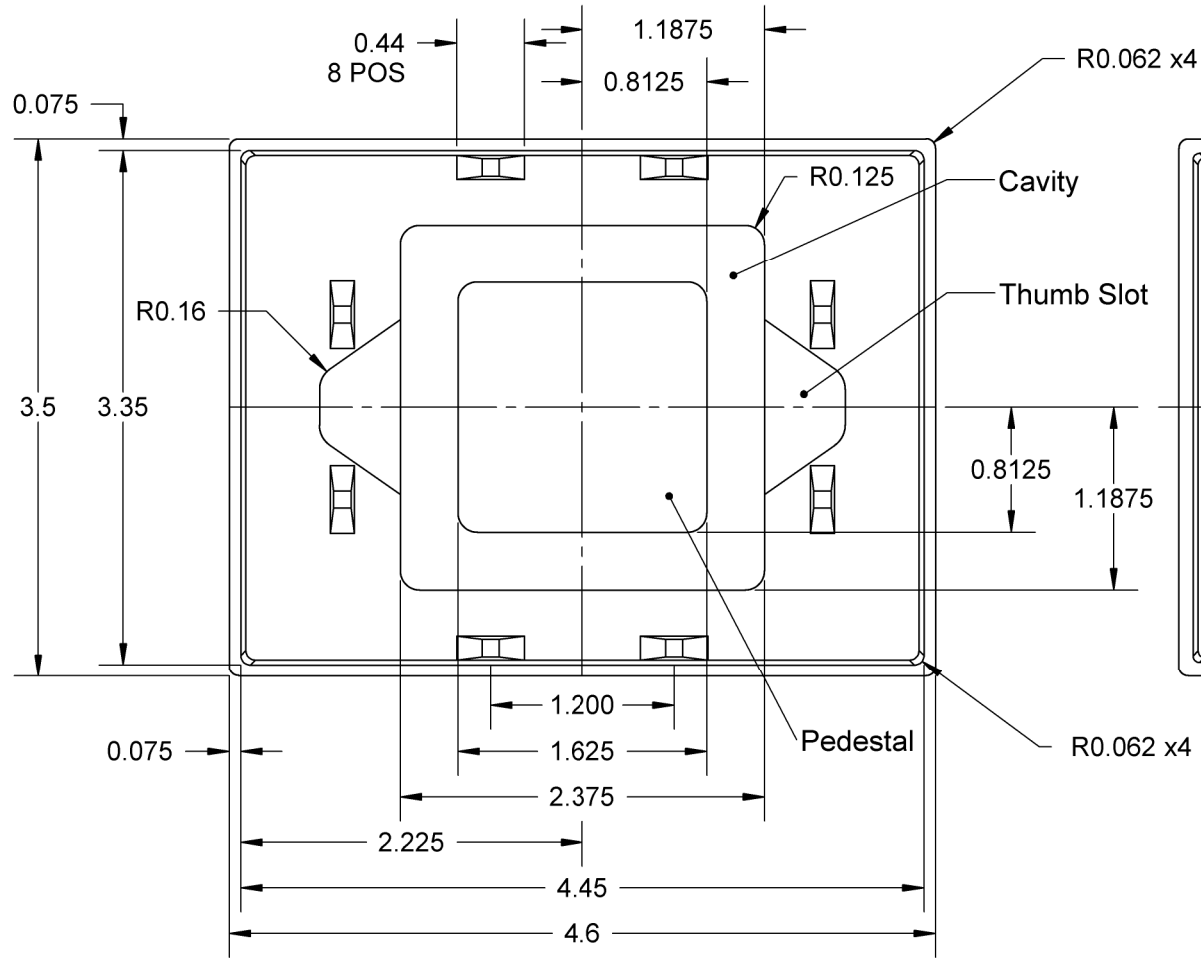


FRONT (CLOSED)

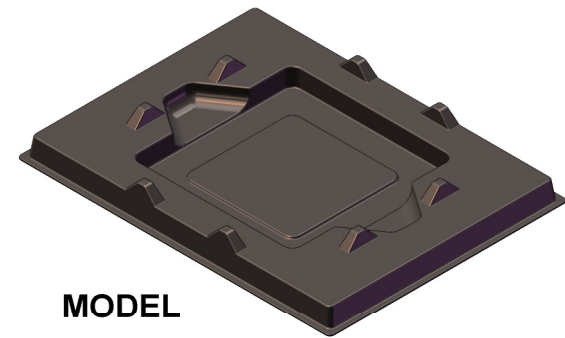
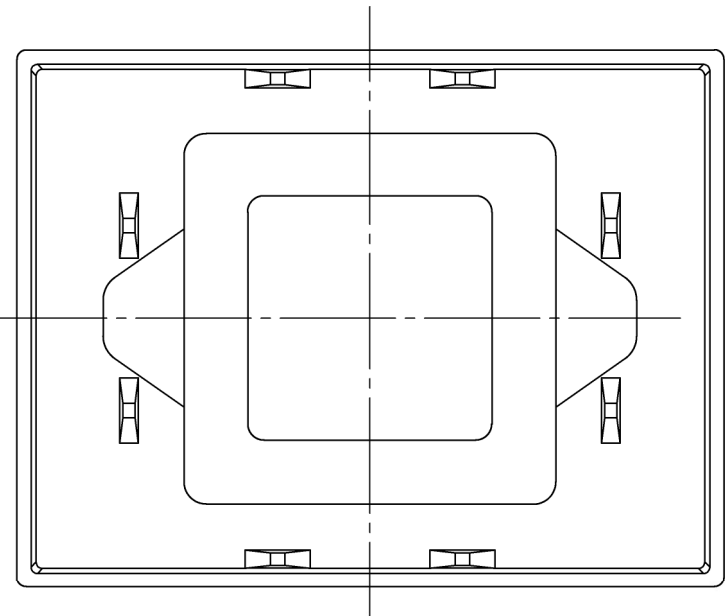
- Notes: (Unless Otherwise Specified).
- 1) SURFACE RESISTIVITY: $10^4 \sim 10^5 \Omega$.
 - 2) MATERIAL: CARBON FILLED POLYPROPYLENE.
 - 3) DIMENSIONS IN INCHES.

TopLine®			
TITLE		EC1 (EMPTY BOX) HINGE BOX	
SCALE	SIZE	DRAWING NO.	REV
1:2	A	090000	A
DO NOT SCALE DRAWING			SHEET 5 OF 10

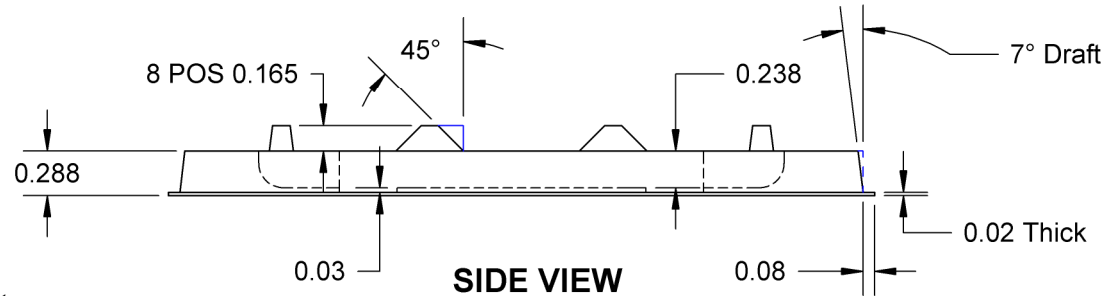
TOP VIEW



BOTTOM VIEW



MODEL



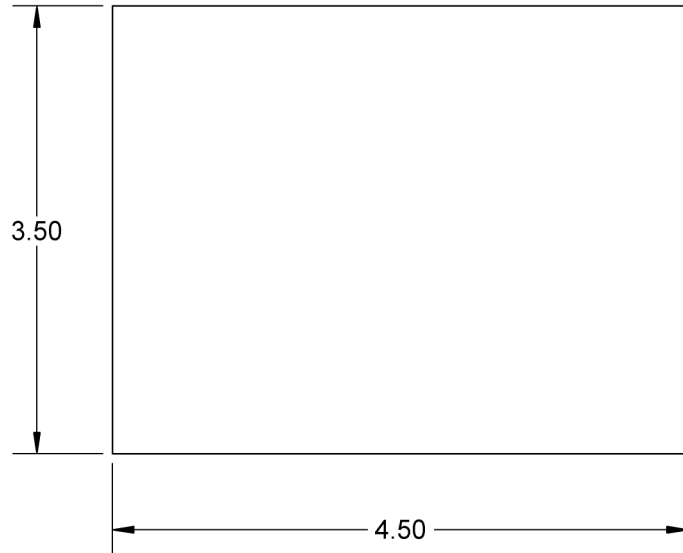
SIDE VIEW

- Notes:**
 1. DIMENSIONS INCH
 2. SURFACE RESISTIVITY $10^4 \sim 10^5 \Omega$

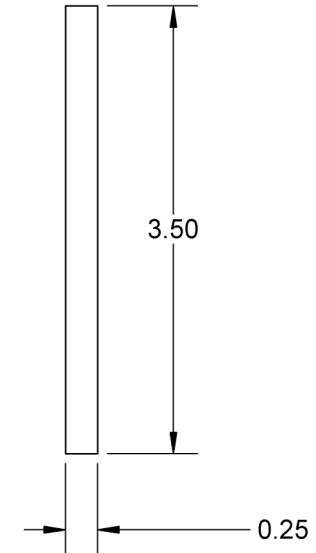
TopLine®

TITLE			
CCGA TRAY INSERT FOR 4.625 x 3.5 HINGE BOX			
SCALE	SIZE	DRAWING NO.	REV
2:2.5	A	140099	A
DO NOT SCALE DRAWING			SHEET 6 OF 10

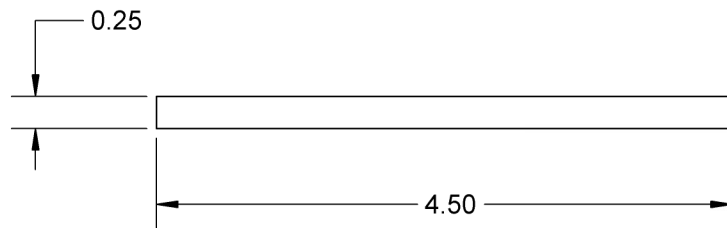
TOP



EDGE



SIDE



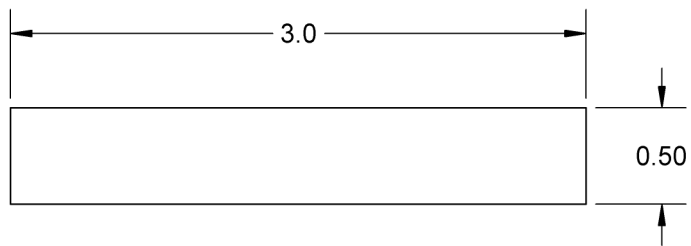
MODEL

Notes: (Unless Otherwise Specified).

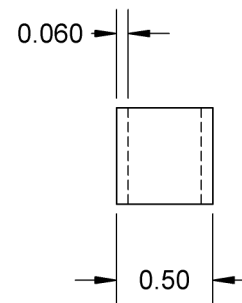
- 1) SURFACE RESISTIVITY: $10^5\Omega$ TO $10^6\Omega$
- 3) DENSITY 1.7 PFC Min.
- 4) DIMENSIONS IN INCHES.

TopLine[®]			
TITLE		EC1-FOAM-SOFT-.25-A LOW DENSITY FOAM	
SCALE	SIZE	DRAWING NO.	REV
1:1.5	A	090003	A
DO NOT SCALE DRAWING			SHEET 7 OF 10

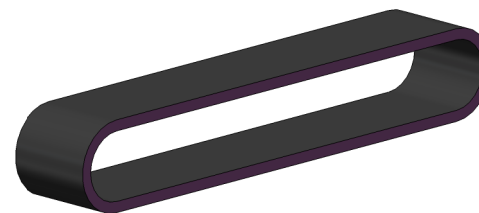
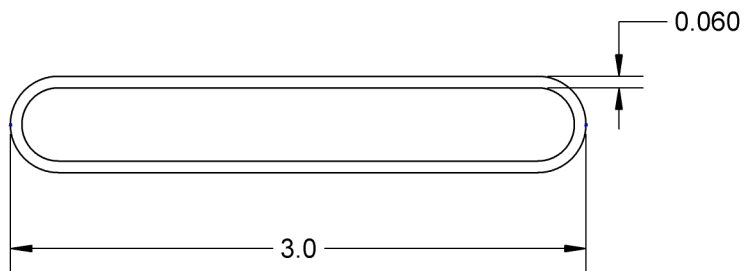
TOP



EDGE



SIDE

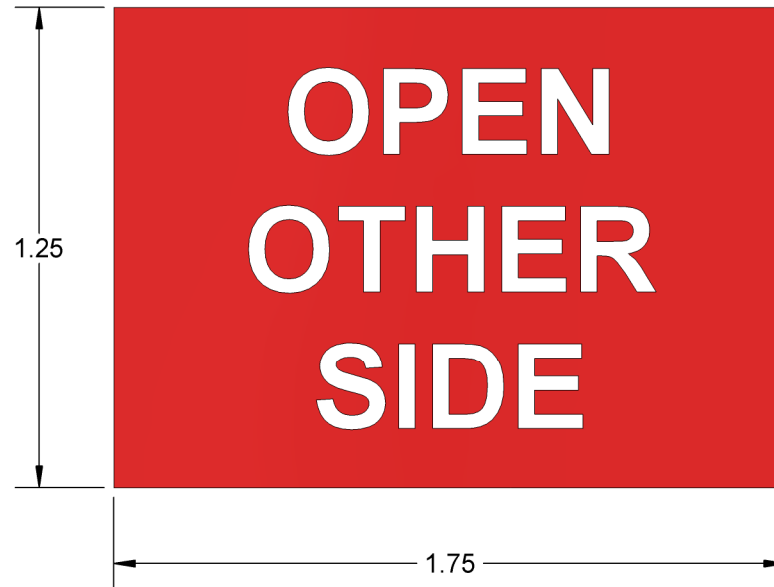


MODEL

Notes: (Unless Otherwise Specified).

- 1) SURFACE RESISTIVITY: $10^5 \sim 10^6$.
- 2) DIMENSIONS IN INCHES (RESTING POSITION).

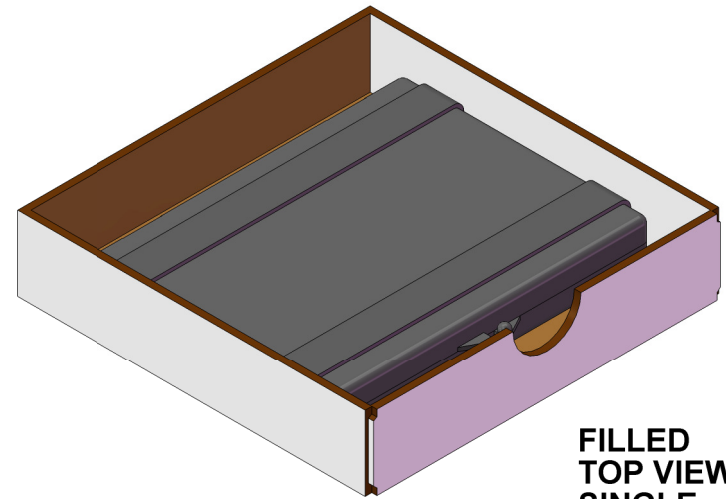
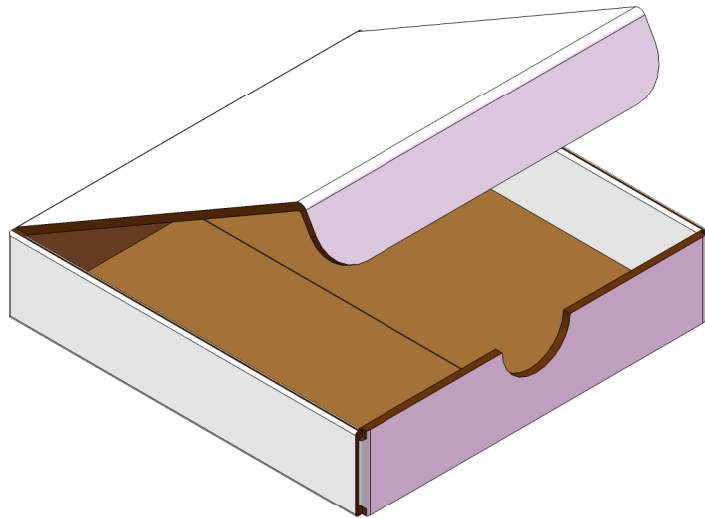
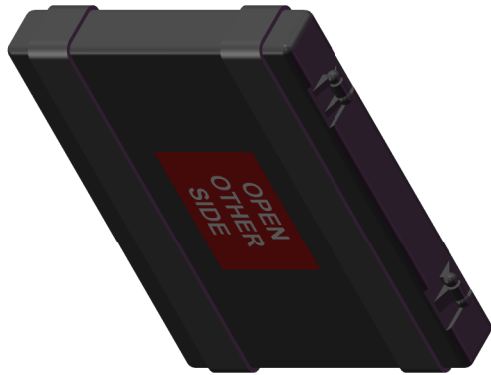
TopLine[®]			
TITLE		RUBBER BAND-3.0-C BLACK CONDUCTIVE	
SCALE	SIZE	DRAWING NO.	REV
1:1	A	090005	A
DO NOT SCALE DRAWING			SHEET 8 OF 10



Notes: (Unless Otherwise Specified).

1. DIMENSIONS INCHES.
2. MATERIAL: PAPER LABEL WITH ADHESIVE.
3. COLOR: RED.
4. PURPOSE: IDENTIFY BOTTOM OF HINGE BOX.

TopLine[®]			
TITLE		LABEL FOR BOTTOM OF HINGE BOX	
SCALE	SIZE	DRAWING NO.	REV
2:1	A	090005	A
DO NOT SCALE DRAWING			SHEET 9 OF 10



**FILLED
TOP VIEW
SINGLE**

NOTES: (Unless Otherwise Specified).

1. DIMENSIONS INCHES.
2. MEASUREMENT INCLUDES RUBBER BANDS.
3. BOX SIZE SUBJECT TO CHANGE.

TopLine[®]

TITLE CCGA TRAY BOX CARRIER
CARTON

SCALE 1:2	SIZE A	DRAWING NO. 900001	REV A
--------------	-----------	-----------------------	----------

DO NOT SCALE DRAWING

SHEET 10 OF 10