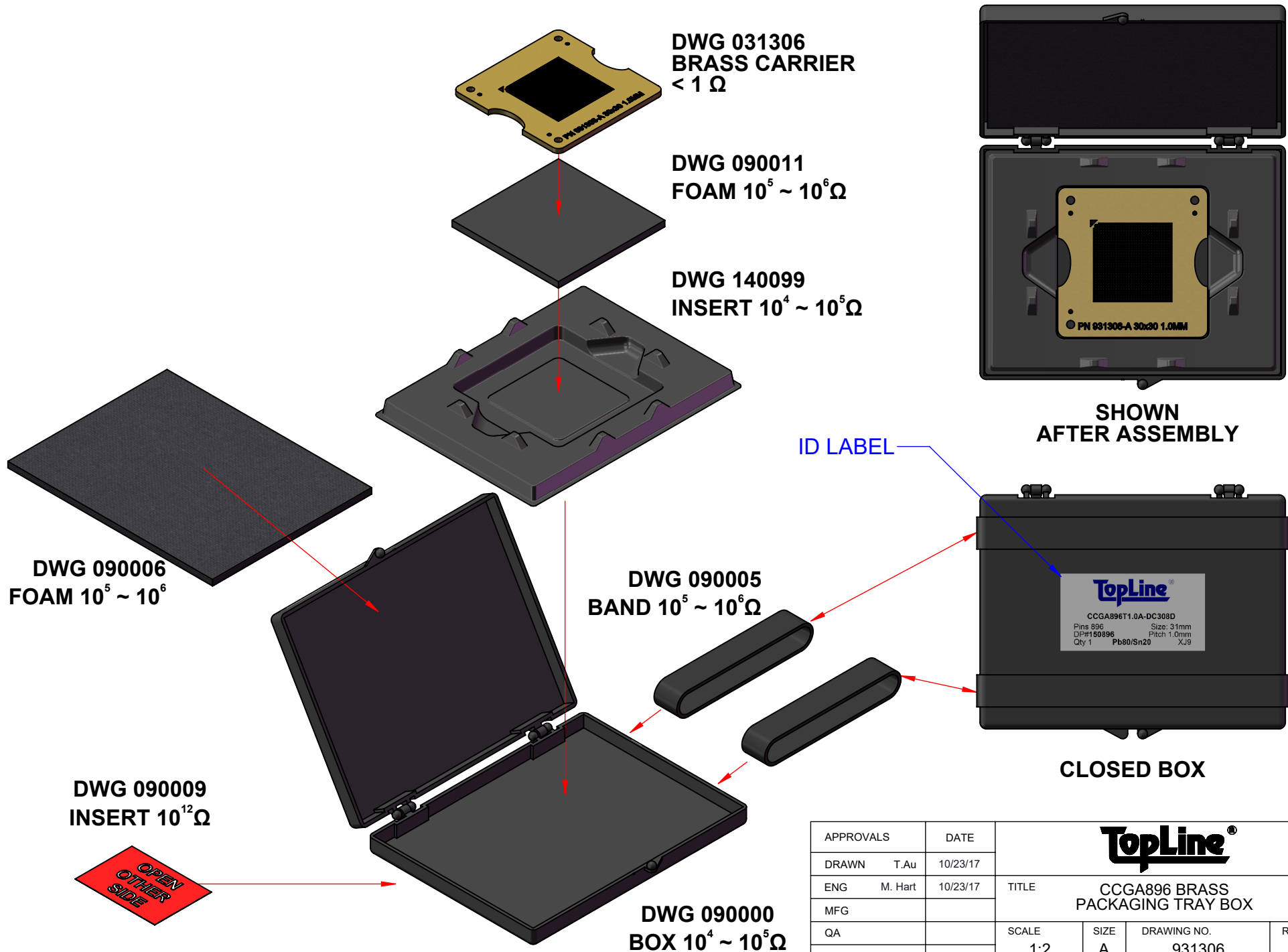


# EXPLODED VIEW



DWG 031306  
BRASS CARRIER  
< 1 Ω

DWG 090011  
FOAM 10<sup>5</sup> ~ 10<sup>6</sup> Ω

DWG 140099  
INSERT 10<sup>4</sup> ~ 10<sup>5</sup> Ω

DWG 090006  
FOAM 10<sup>5</sup> ~ 10<sup>6</sup>

DWG 090005  
BAND 10<sup>5</sup> ~ 10<sup>6</sup> Ω

DWG 090009  
INSERT 10<sup>12</sup> Ω

DWG 090000  
BOX 10<sup>4</sup> ~ 10<sup>5</sup> Ω

SHOWN  
AFTER ASSEMBLY

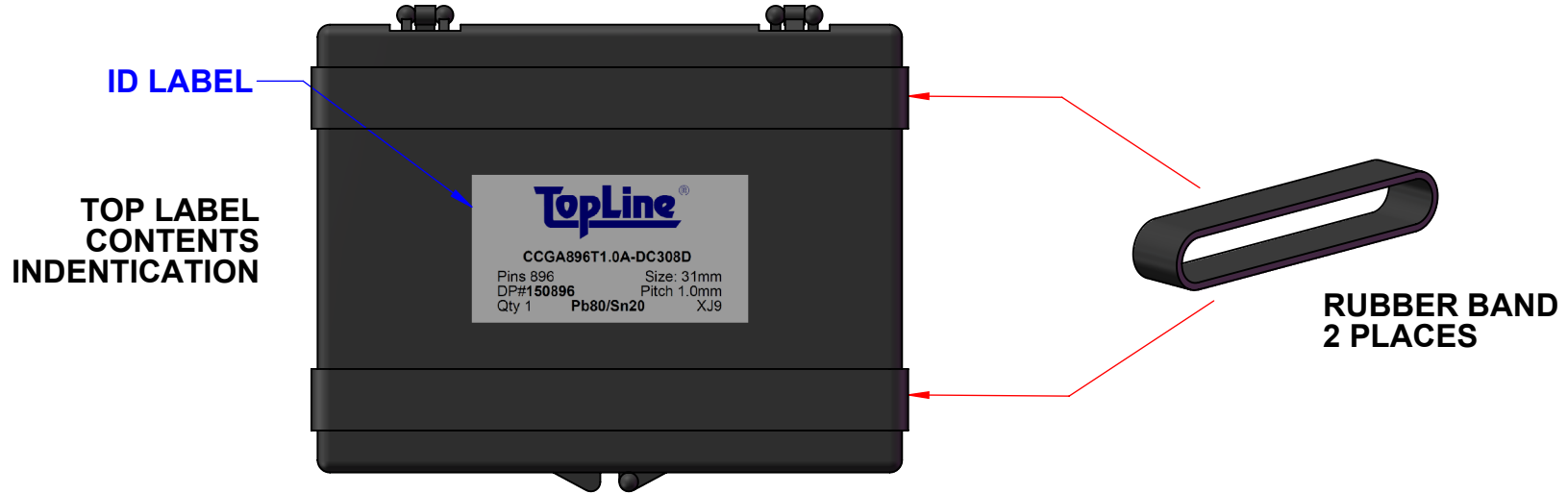
**TopLine**  
CCGA896T1.0A-DC308D  
Pins 896 Size: 31mm  
DIP#150896 Pitch 1.0mm  
Qty 1 Pb80/Sn20 XJ9

CLOSED BOX

OPEN  
OTHER  
SIDE

APPROVALS	DATE	<b>TopLine</b> <sup>®</sup>			
DRAWN T. Au	10/23/17				
ENG M. Hart	10/23/17	TITLE CCGA896 BRASS PACKAGING TRAY BOX			
MFG		SCALE 1:2	SIZE A	DRAWING NO. 931306	REV A
QA					
CUST					
REVISED		DO NOT SCALE DRAWING		SHEET 1 OF 11	

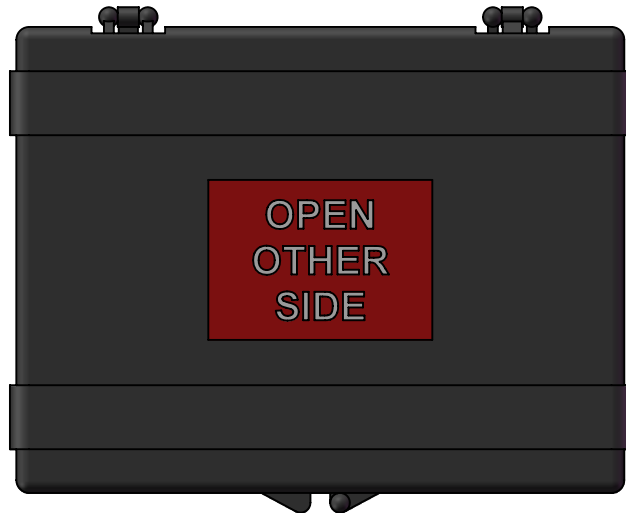
# LABEL PLACEMENT



**FRONT VIEW**

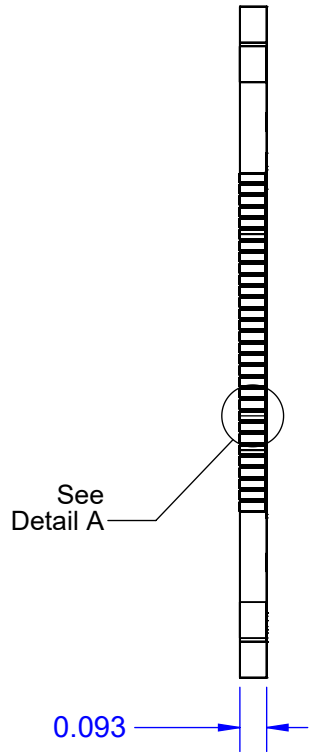


**DWG 090009  
BOTTOM LABEL**

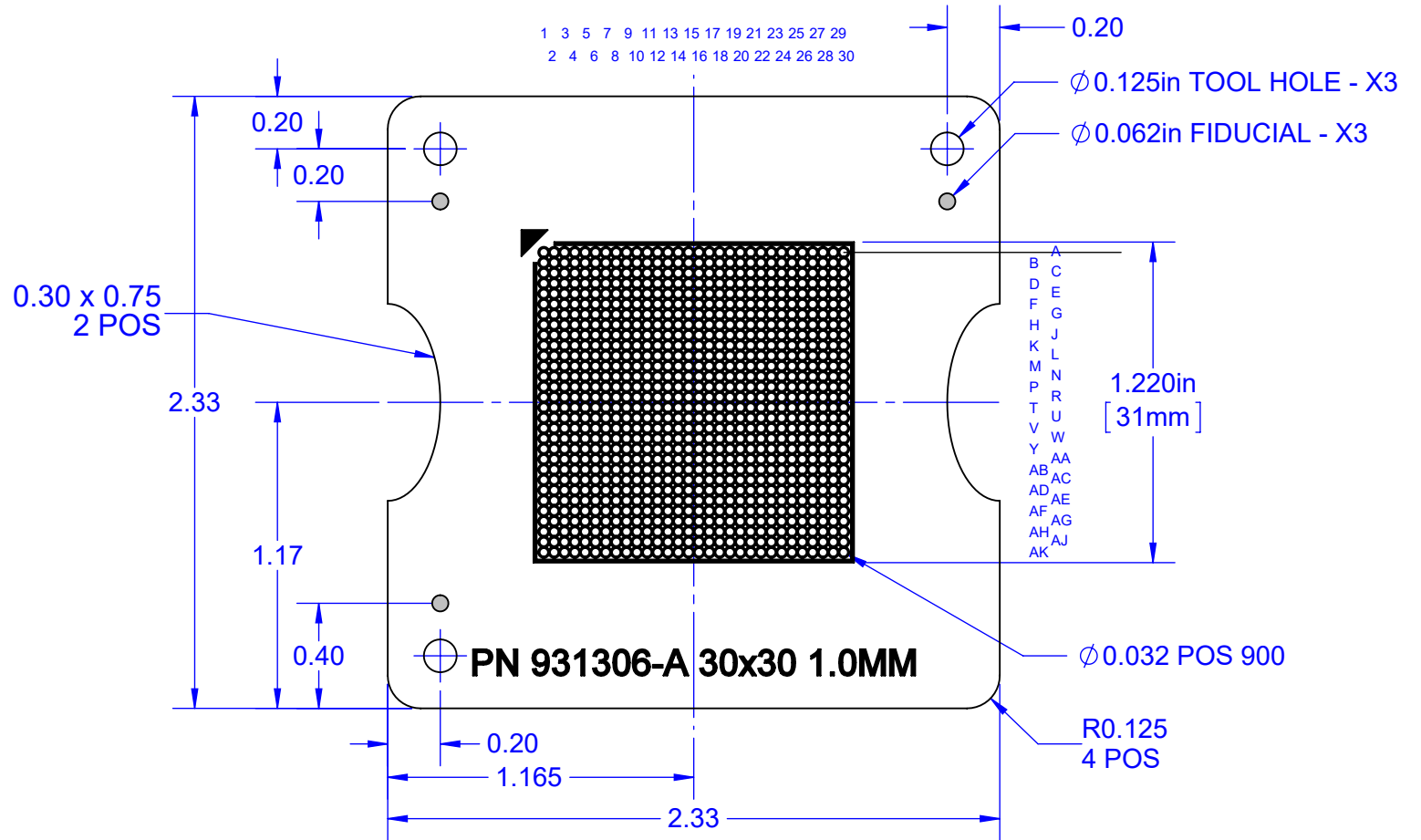


<b>TopLine®</b>			
TITLE      CCGA896 BRASS PACKAGING TRAY BOX			
SCALE 2:3	SIZE A	DRAWING NO. 931306	REV A
DO NOT SCALE DRAWING		SHEET 2 OF 11	

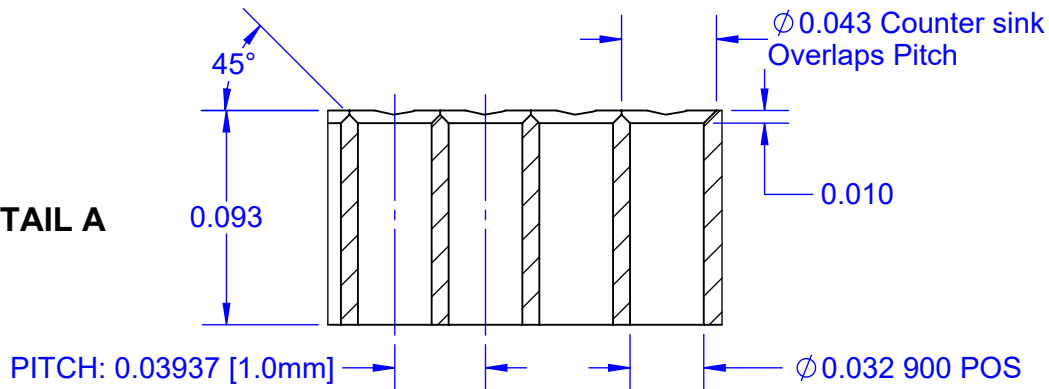
# SIDE VIEW



# TOP VIEW



# DETAIL A



- NOTES:
1. DIMENSIONS IN INCH UNLESS OTHERWISE STATED.
  2. MATERIAL BRASS.
  3. LEGEND: BLACK INK.
  4. ESD < 1Ω

**TopLine®**

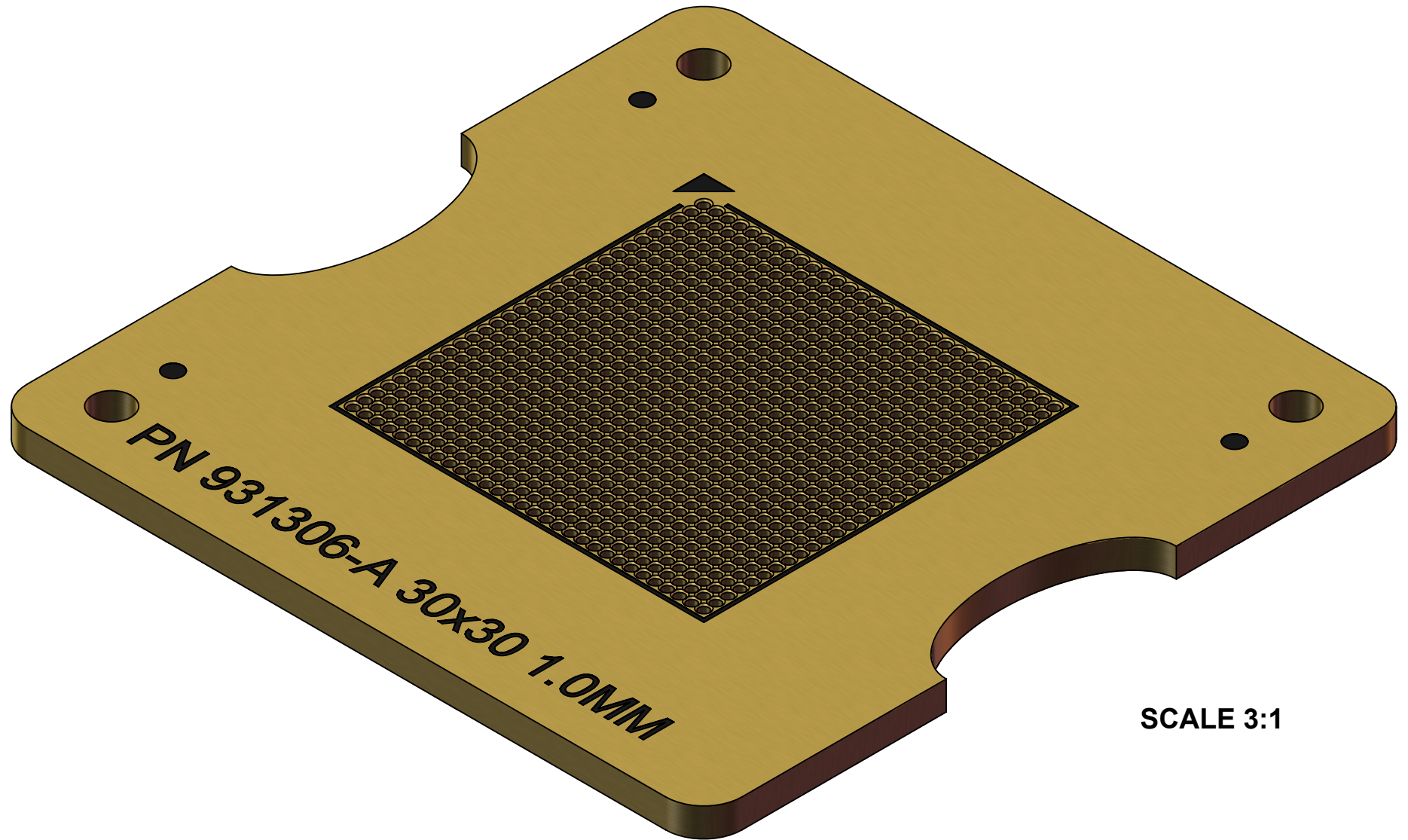
TITLE CCGA896 TRAY INSERT  
2.33" SQ

SCALE 3:2	SIZE A	DRAWING NO. 931306	REV A
--------------	-----------	-----------------------	----------

DO NOT SCALE DRAWING

SHEET 3 OF 11

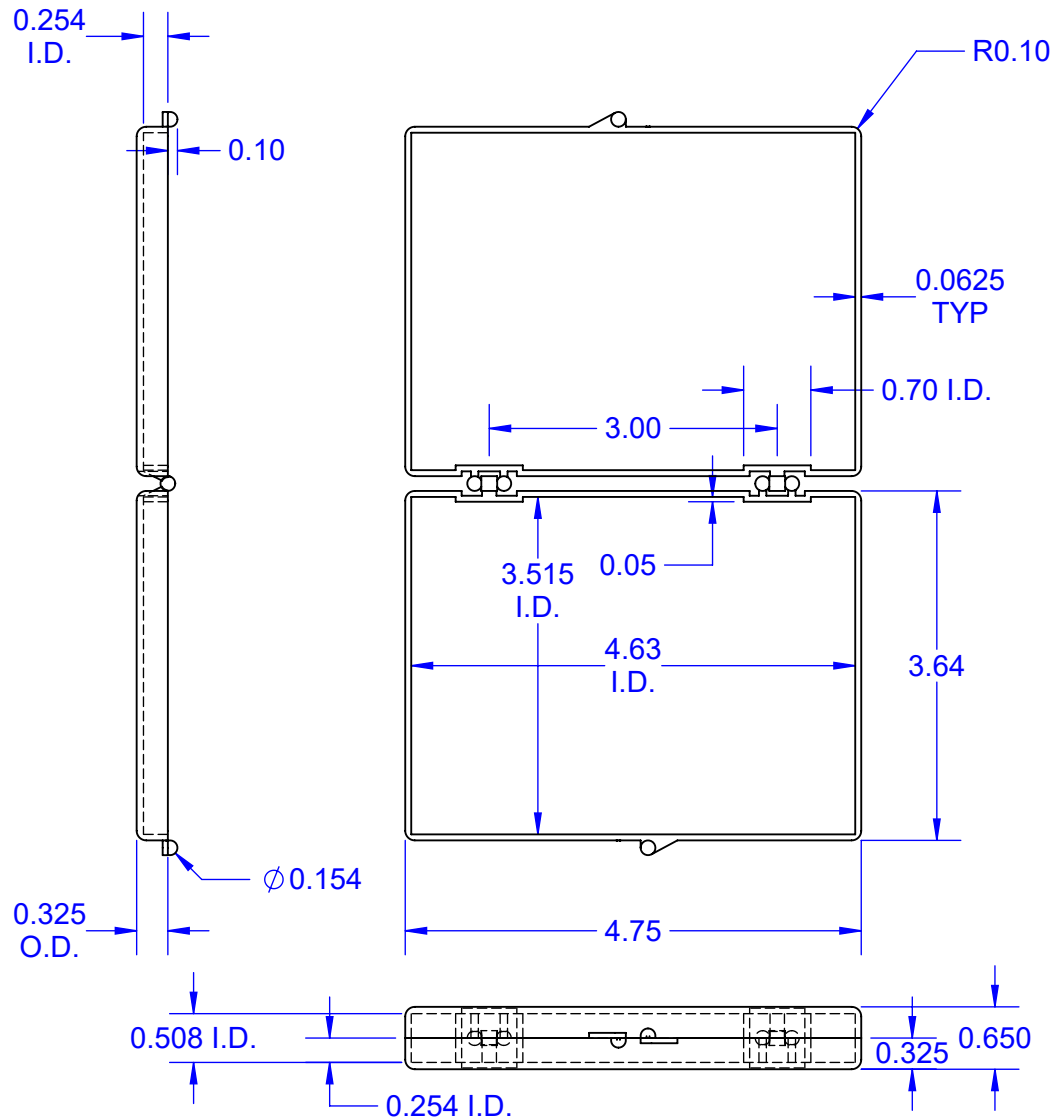
MODEL



SCALE 3:1

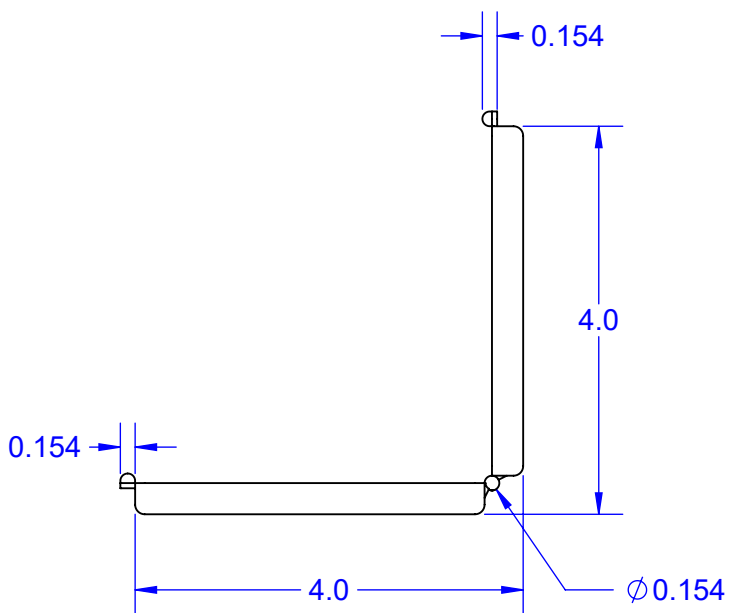
<b>TopLine<sup>®</sup></b>			
TITLE		CCGA896 TRAY INSERT 2.33" SQ	
SCALE	SIZE	DRAWING NO.	REV
3:1	A	031306	A
DO NOT SCALE DRAWING			SHEET 4 OF 11

**TOP (OPEN)**



**FRONT (CLOSED)**

**SIDE VIEW (OPEN)**

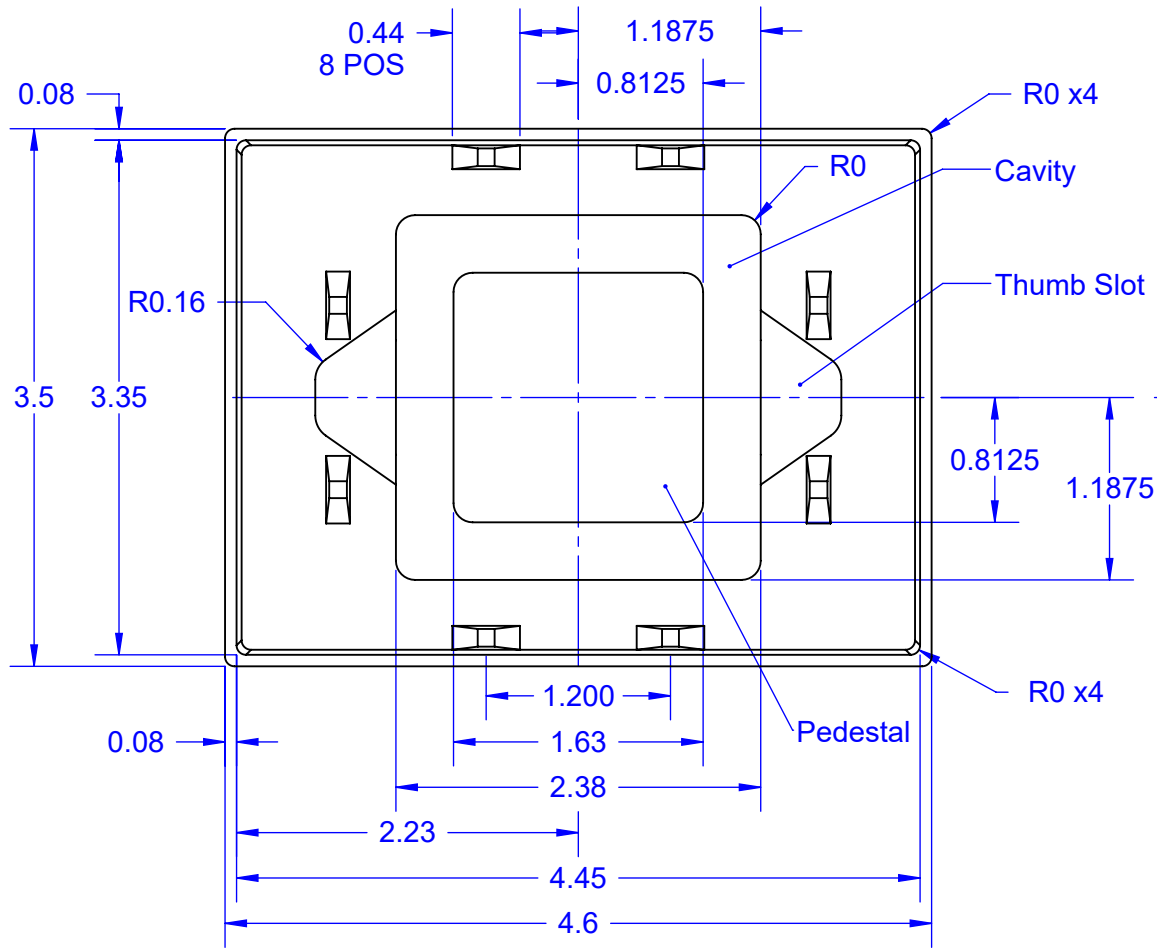


**MODEL**

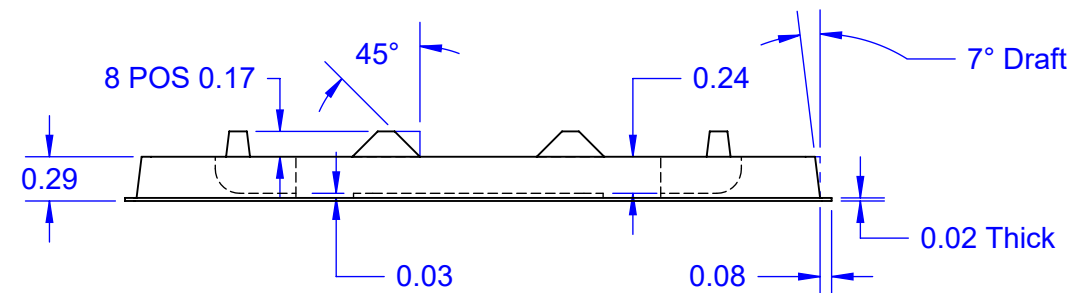
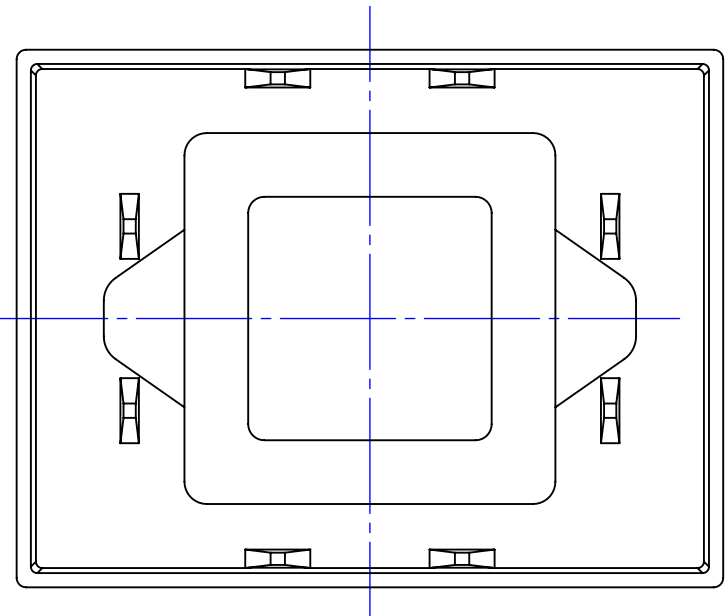
- Notes: (Unless Otherwise Specified).  
 1) SURFACE RESISTIVITY:  $10^3 \Omega$  TO  $10^6 \Omega$  PER SQUARE.  
 2) MATERIAL: CARBON FILLED POLYPROPYLENE.  
 3) DIMENSIONS IN INCHES.

<b>TopLine®</b>			
TITLE		EC1 (EMPTY BOX) HINGE BOX	
SCALE	SIZE	DRAWING NO.	REV
1:2	A	090000	A
DO NOT SCALE DRAWING			SHEET 5 OF 11

**TOP VIEW**

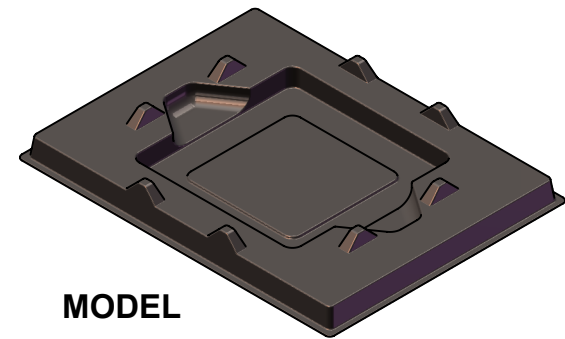


**BOTTOM VIEW**



DIMENSIONS INCH.  
ESD <math>10^4 \sim 10^5 \Omega</math>

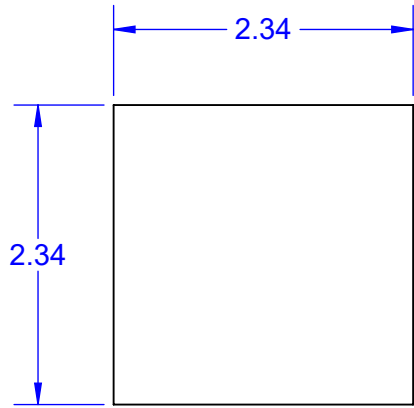
**SIDE VIEW**



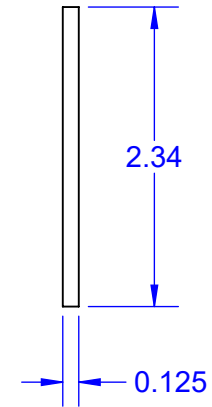
**MODEL**

APPROVALS	DATE	<b>TopLine®</b>			
DRAWN T. Au	10/23/17				
ENG M. Hart	10/23/17	TITLE CCGA TRAY INSERT FOR 4.625 x 3.5 HINGE BOX			
MFG		SCALE	SIZE	DRAWING NO.	REV
QA		2:2.5	A	140099	A
CUST		DO NOT SCALE DRAWING			SHEET 6 OF 11
REVISED					

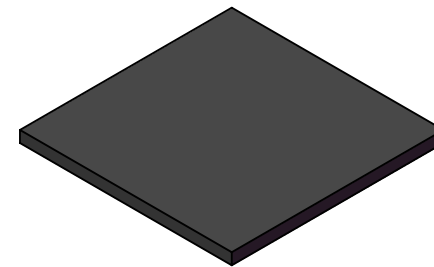
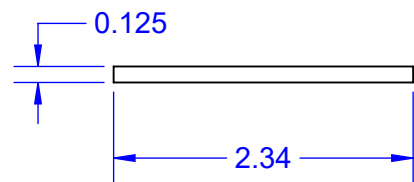
### TOP



### EDGE



### SIDE



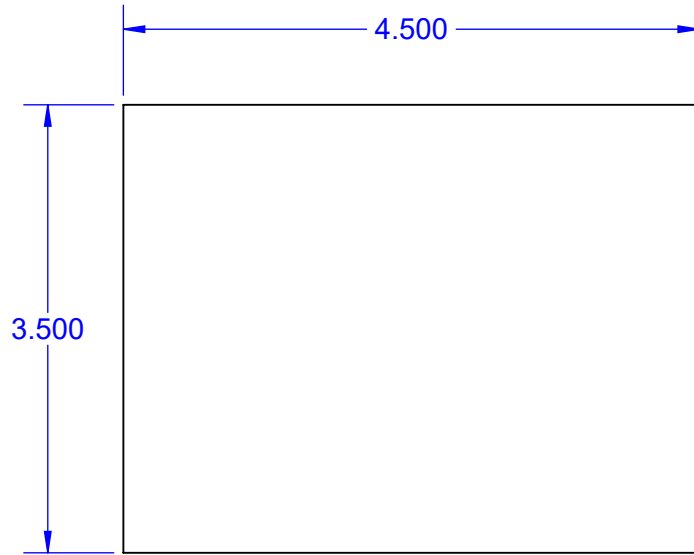
### MODEL

Notes: (Unless Otherwise Specified).

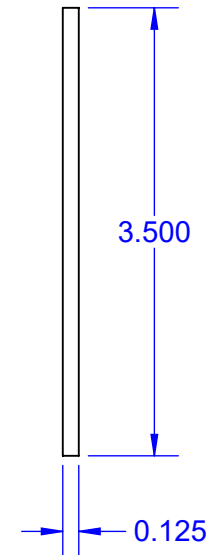
- 1) SURFACE RESISTIVITY:  $10^3 \Omega$  TO  $10^6 \Omega$  PER SQUARE.
- 2) SOFT CONDUCTIVE FOAM.
- 3) DENSITY 1.7 PFC Min.

<b>TopLine®</b>			
TITLE		LOW DENSITY FOAM FOAM-SOFT-2.34-A	
SCALE	SIZE	DRAWING NO.	REV
1:1.5	A	090011	A
DO NOT SCALE DRAWING			SHEET 7 OF 11

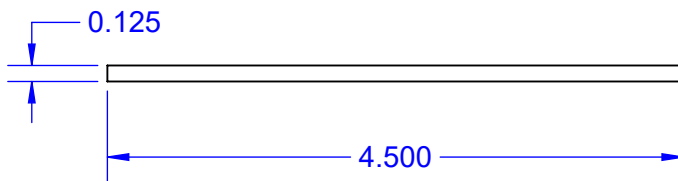
**TOP**



**EDGE**



**SIDE**



**MODEL**

Notes: (Unless Otherwise Specified).

- 1) SURFACE RESISTIVITY:  $10^3 \Omega$  TO  $10^6 \Omega$  PER SQUARE.
- 2) SOFT CONDUCTIVE FOAM.
- 3) DENSITY 1.7 PFC Min.

**TopLine®**

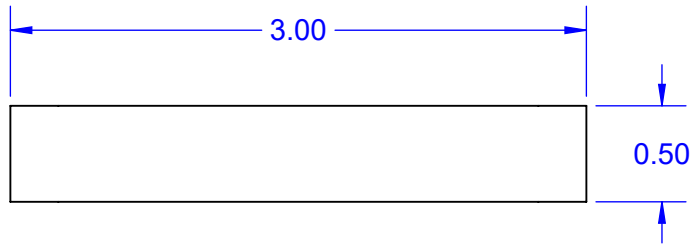
TITLE EC1-FOAM-SOFT-.125-A  
LOW DENSITY FOAM

SCALE 1:1.5	SIZE A	DRAWING NO. 090006	REV A
----------------	-----------	-----------------------	----------

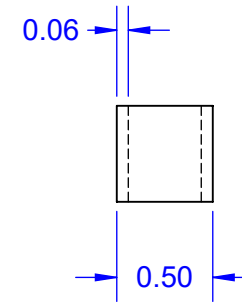
DO NOT SCALE DRAWING

SHEET 8 OF 11

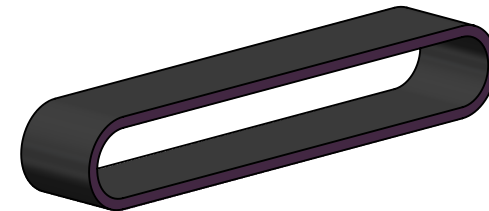
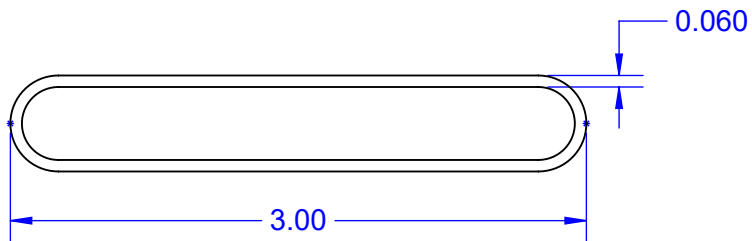
### TOP



### EDGE



### SIDE

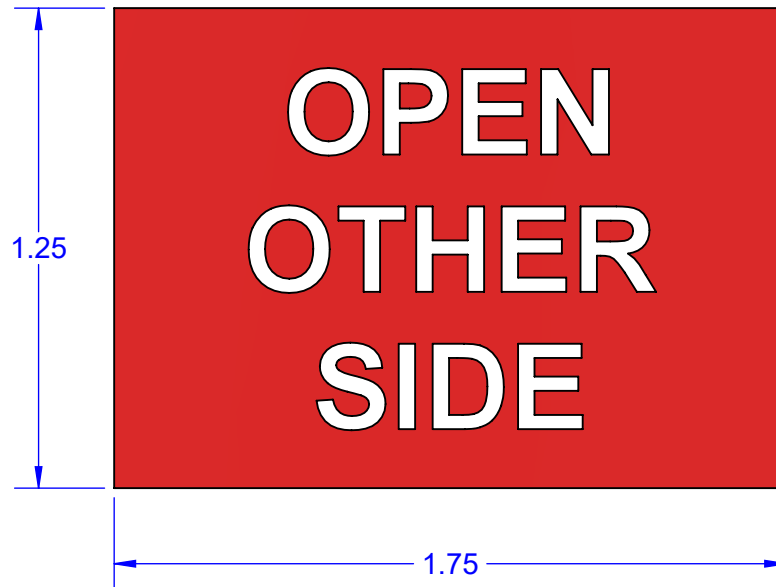


### MODEL

Notes: (Unless Otherwise Specified).

- 1) SURFACE RESISTIVITY:  $10^3 \Omega$  TO  $10^6 \Omega$  PER SQUARE.
- 2) DIMENSIONS in INCHES (RESTING POSITION).

<b>TopLine®</b>			
TITLE		RUBBER BAND-3.0-C BLACK CONDUCTIVE	
SCALE	SIZE	DRAWING NO.	REV
1:1	A	090005	A
DO NOT SCALE DRAWING			SHEET 9 OF 11

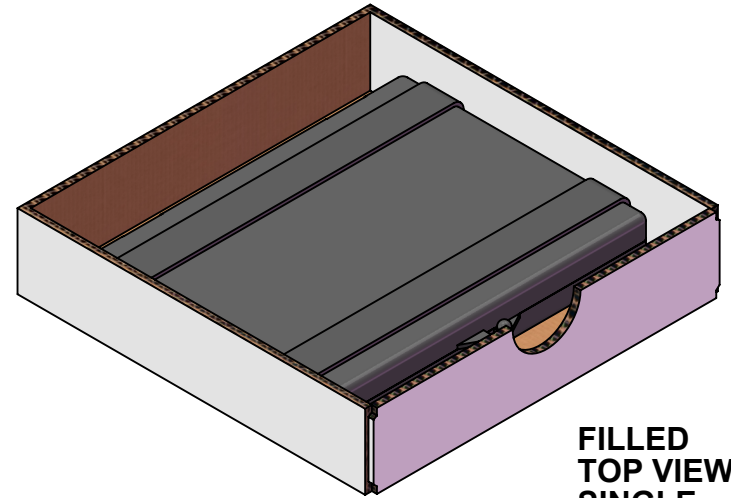
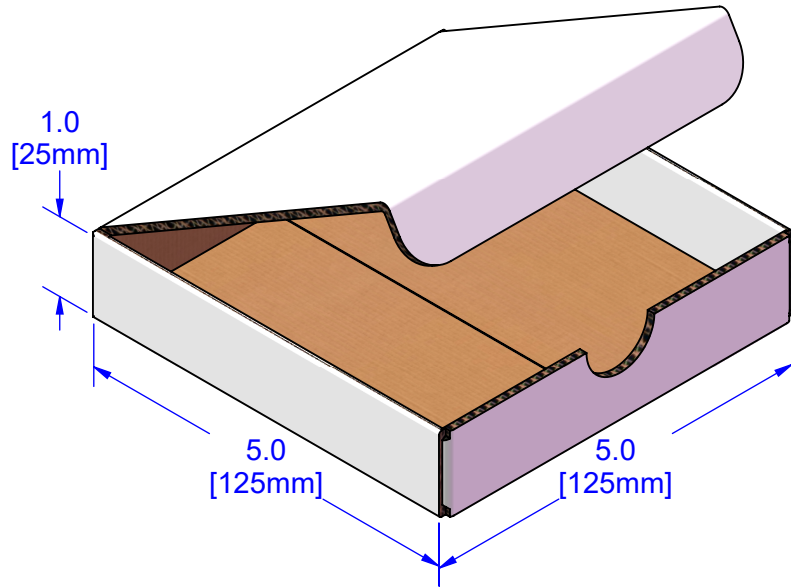
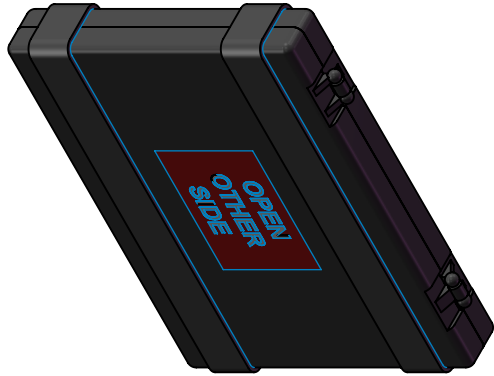


Notes: (Unless Otherwise Specified).

1. DIMENSIONS INCHES.
2. MATERIAL: PAPER LABEL WITH ADHESIVE.
3. COLOR: RED.
4. PURPOSE: IDENTIFY BOTTOM OF HINGE BOX.

<b>TopLine<sup>®</sup></b>			
TITLE		LABEL FOR BOTTOM OF HINGE BOX	
SCALE	SIZE	DRAWING NO.	REV
2:1	A	090005	A
DO NOT SCALE DRAWING			SHEET 10 OF 11

QTY = 1



FILLED  
TOP VIEW  
SINGLE

- NOTES: (Unless Otherwise Specified).
1. DIMENSIONS INCHES.
  2. MEASUREMENT INCLUDES RUBBER BANDS.
  3. BOX SIZE SUBJECT TO CHANGE.

**TopLine**<sup>®</sup>

TITLE CCGA TRAY BOX CARRIER  
CARTON

SCALE 1:2	SIZE A	DRAWING NO. 900001	REV A
--------------	-----------	-----------------------	----------

DO NOT SCALE DRAWING

SHEET 11 OF 11