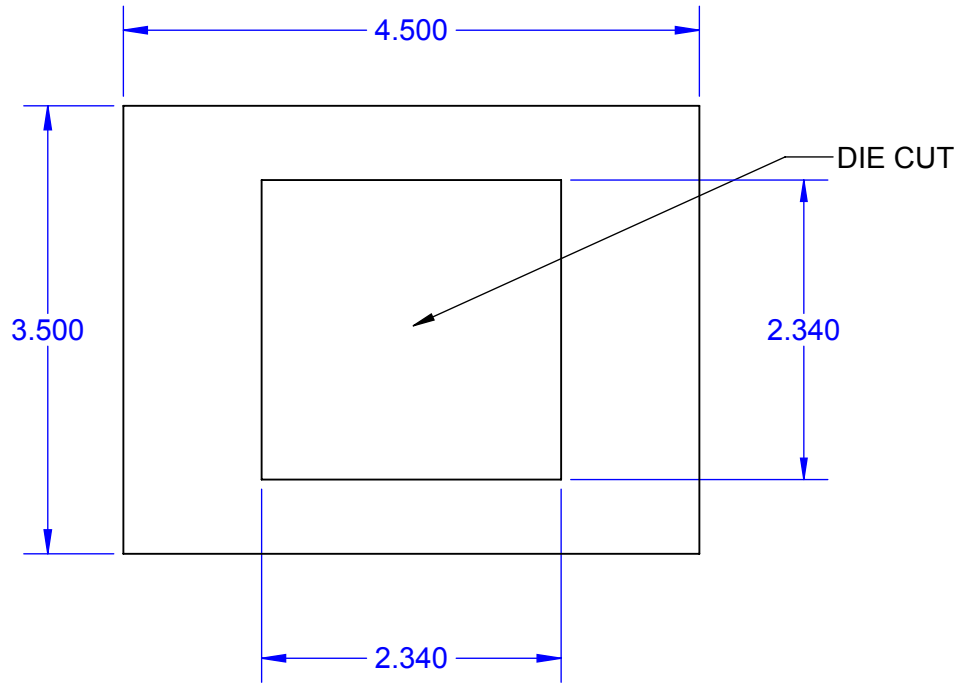
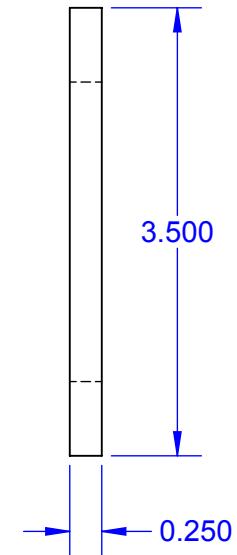


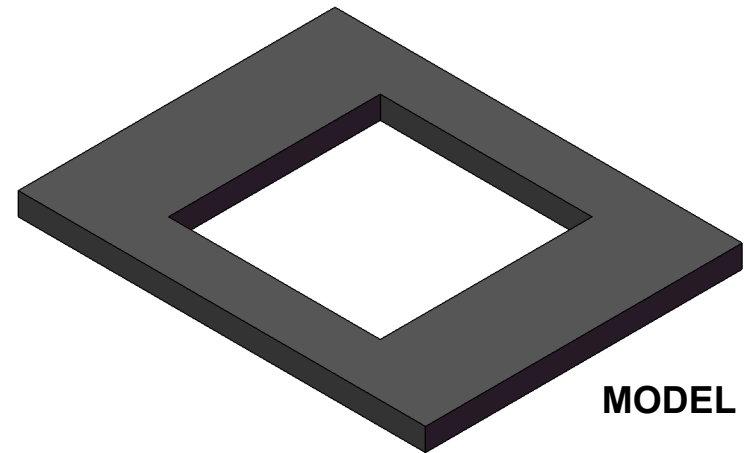
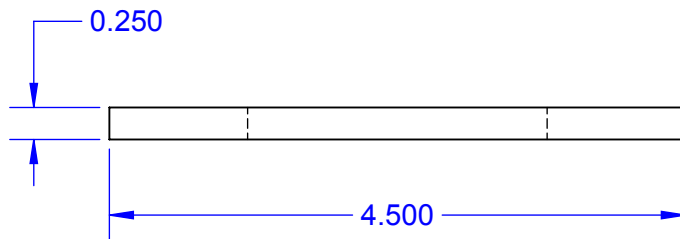
**TOP**



**EDGE**



**SIDE**



**MODEL**

Notes: (Unless Otherwise Specified).

- 1) SURFACE RESISTIVITY:  $10^3 \Omega$  TO  $10^6 \Omega$  PER SQUARE.
- 2) DENSE CONDUCTIVE FOAM.
- 3) DENSITY 2.0 PFC Min.

APPROVALS	DATE	<b>TopLine®</b>			
DRAWN T.Au	01/23/15				
ENG M. Hart	01/23/15	TITLE EC1-FOAM-INSERT-B HIGH DENSITY FOAM			
MFG		SCALE	SIZE	DRAWING NO.	REV
QA		1:1.5	A	090008	A
CUST		DO NOT SCALE DRAWING			SHEET 1 OF 1
REVISED					