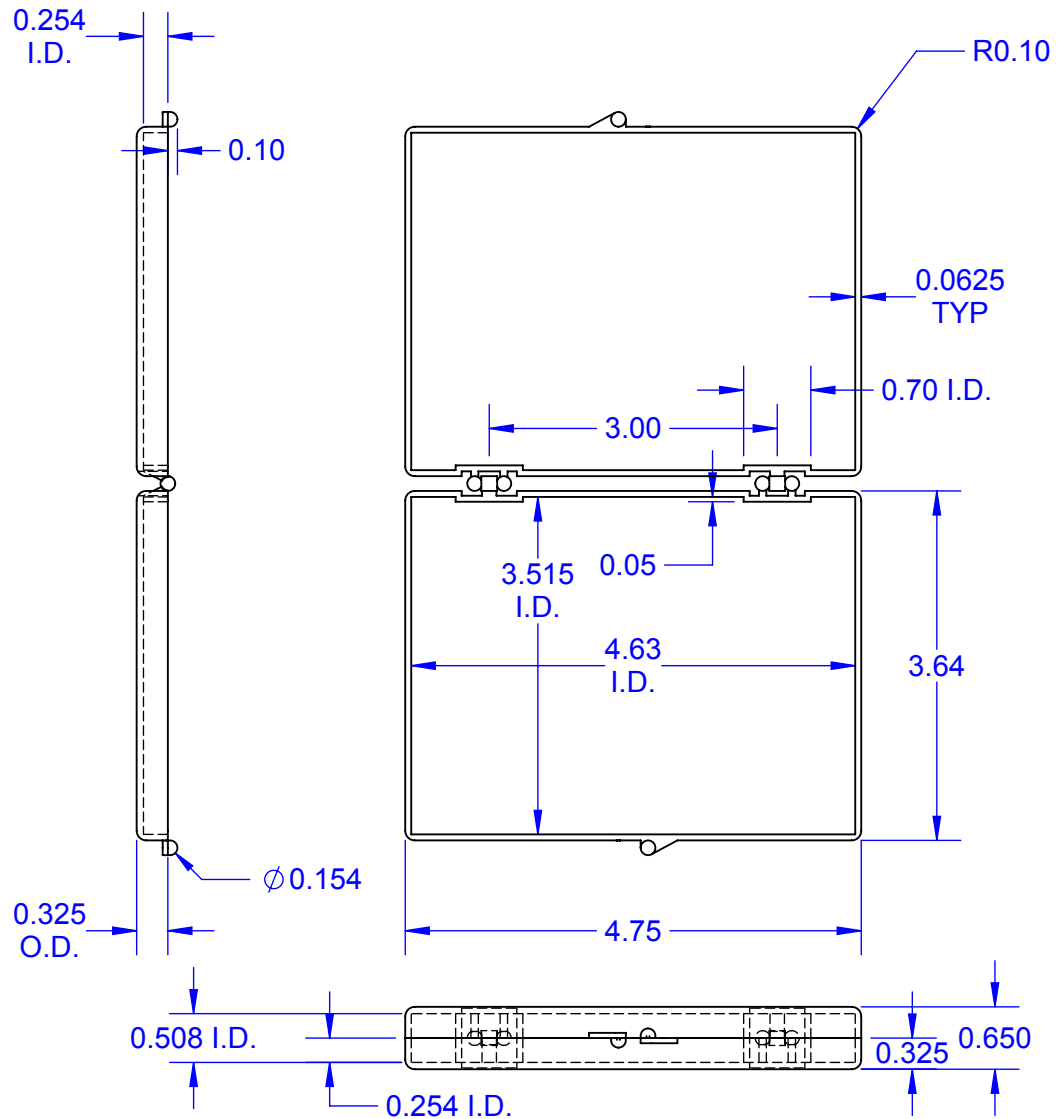
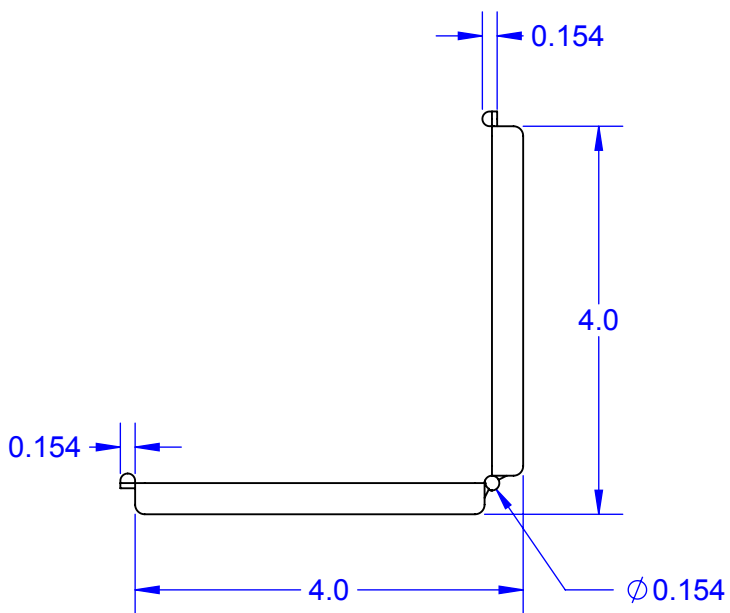


TOP (OPEN)



FRONT (CLOSED)

SIDE VIEW (OPEN)

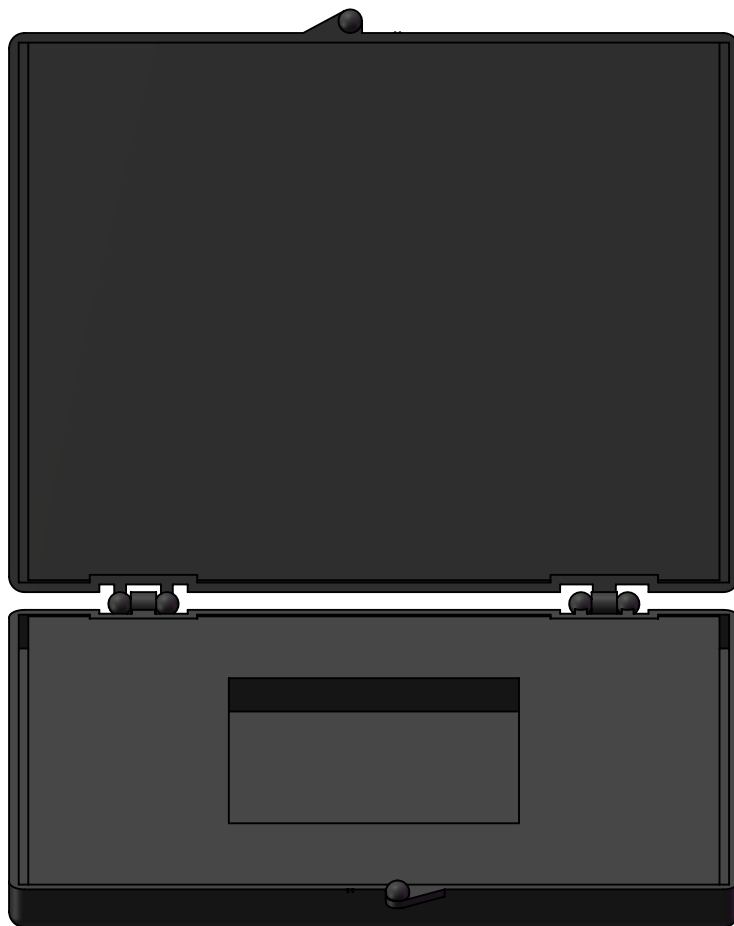


MODEL

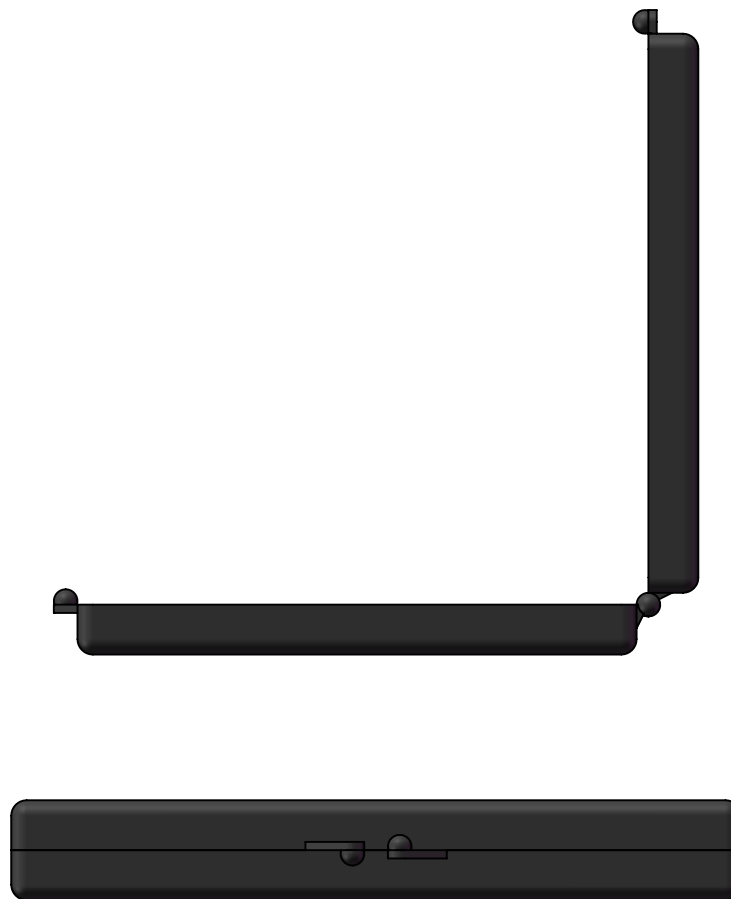
Notes: (Unless Otherwise Specified).
 1) SURFACE RESISTIVITY: $10^3 \Omega$ TO $10^6 \Omega$ PER SQUARE.
 2) MATERIAL: CARBON FILLED POLYPROPYLENE.
 3) DIMENSIONS IN INCHES.

APPROVALS	DATE	TopLine®			
DRAWN T.Au	01/27/15				
ENG M. Hart	01/27/15	TITLE EC1 (SET with FOAM) HINGE BOX			
MFG		SCALE 1:2	SIZE A	DRAWING NO. 090001	REV A
QA		DO NOT SCALE DRAWING			SHEET 1 OF 2
CUST					
REVISED					

MODEL OPEN



MODEL SIDE VIEW (OPEN)



MODEL FRONT VIEW (CLOSED)



APPROVALS	DATE	TopLine®			
DRAWN T. Au	01/27/15				
ENG M. Hart	01/27/15	TITLE EC1 (SET with FOAM) HINGE BOX			
MFG					
QA		SCALE	SIZE	DRAWING NO.	REV
CUST		1:1.25	A	090001	A
REVISED		DO NOT SCALE DRAWING			SHEET 2 OF 2