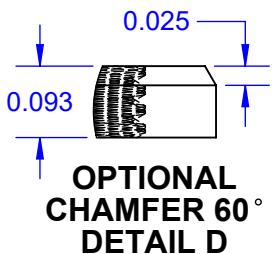
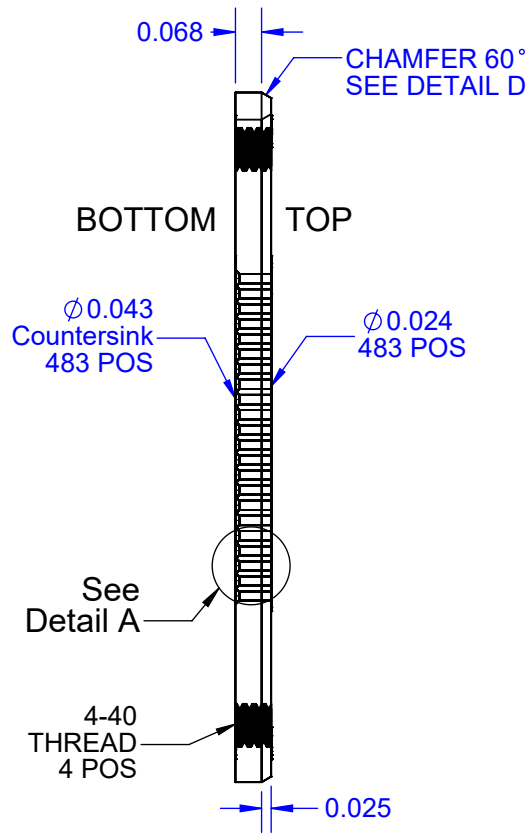
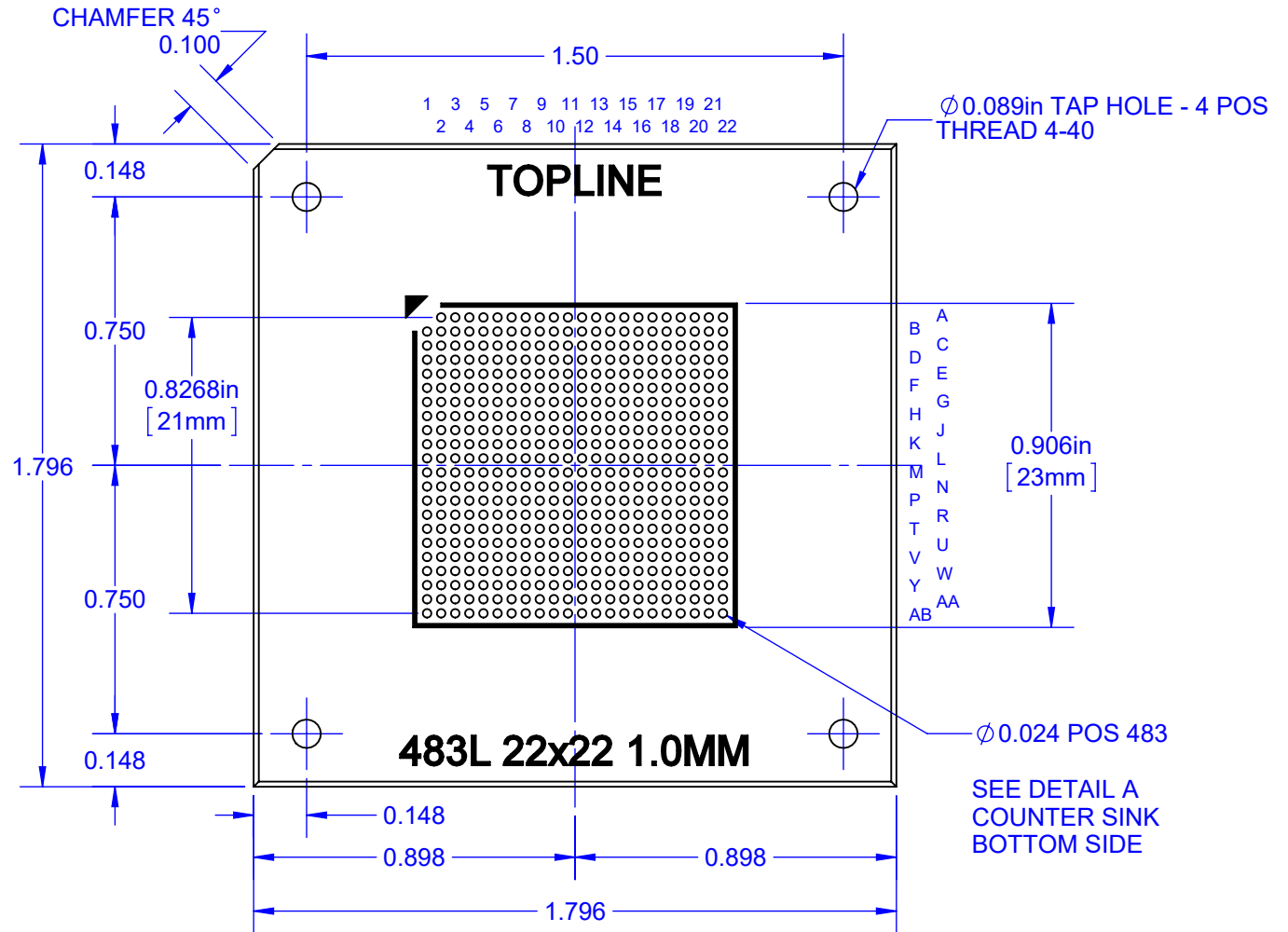


### SIDE VIEW



### TOP VIEW

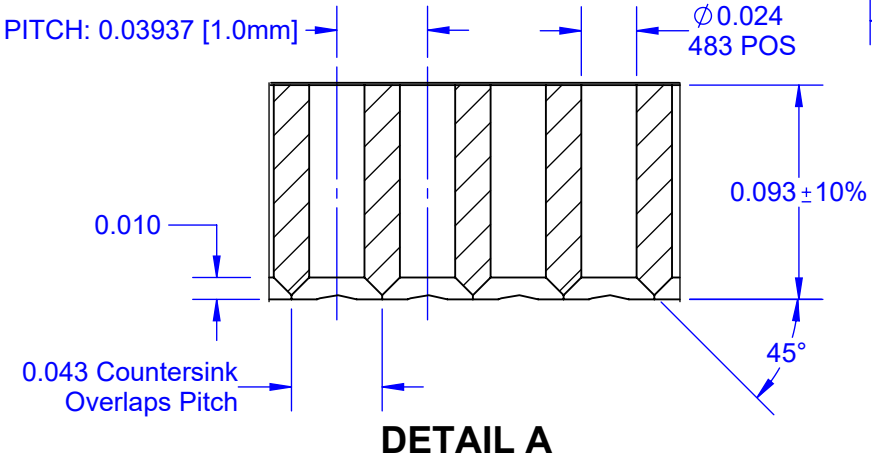
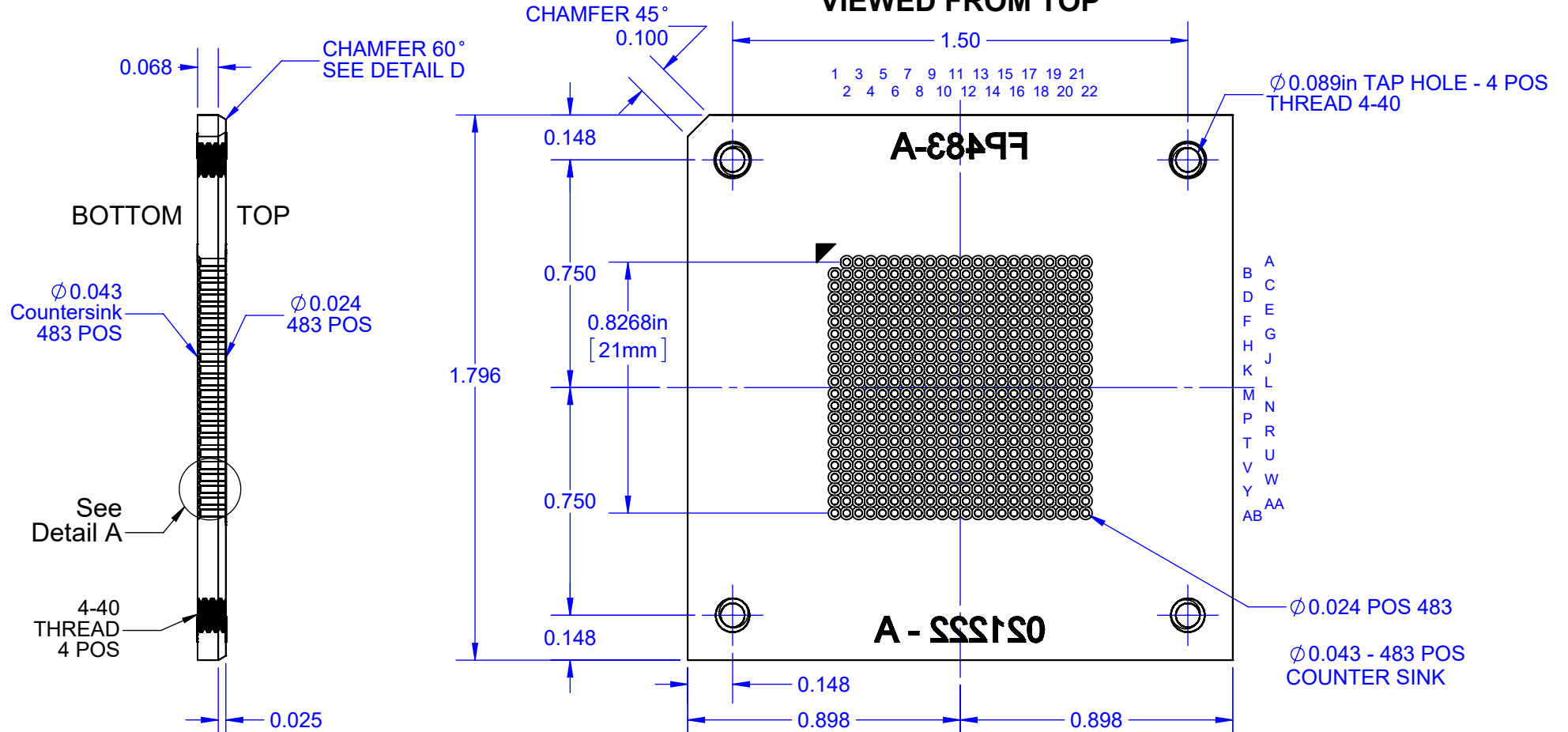


- NOTES:
1. DIMENSIONS IN INCH UNLESS OTHERWISE STATED.
  2. MATERIAL: FR4 COLOR BLACK.
  3. LEGEND: WHITE INK.

APPROVALS	DATE				
DRAWN T. Au	02/21/16				
ENG M. Hart	02/21/16	TITLE CCGA483 - 1.0MM PA1 CARRIER Ø20 MIL PIN			
MFG		SCALE	SIZE	DRAWING NO.	REV
QA		2:1	A	021222	A
CUST		DO NOT SCALE DRAWING			SHEET 1 OF 4
REVISED					

**SIDE VIEW**

**BOTTOM VIEWED FROM TOP**



HOLE CHART			
SYMBOL	DIAMETER UNPLATED THRU	COUNTER SINK	QTY
○	Ø 0.024	-	483
⊕	TAP 0.089	-	4
⊘	4-40	-	4
○	-	483	483
TOTAL			974

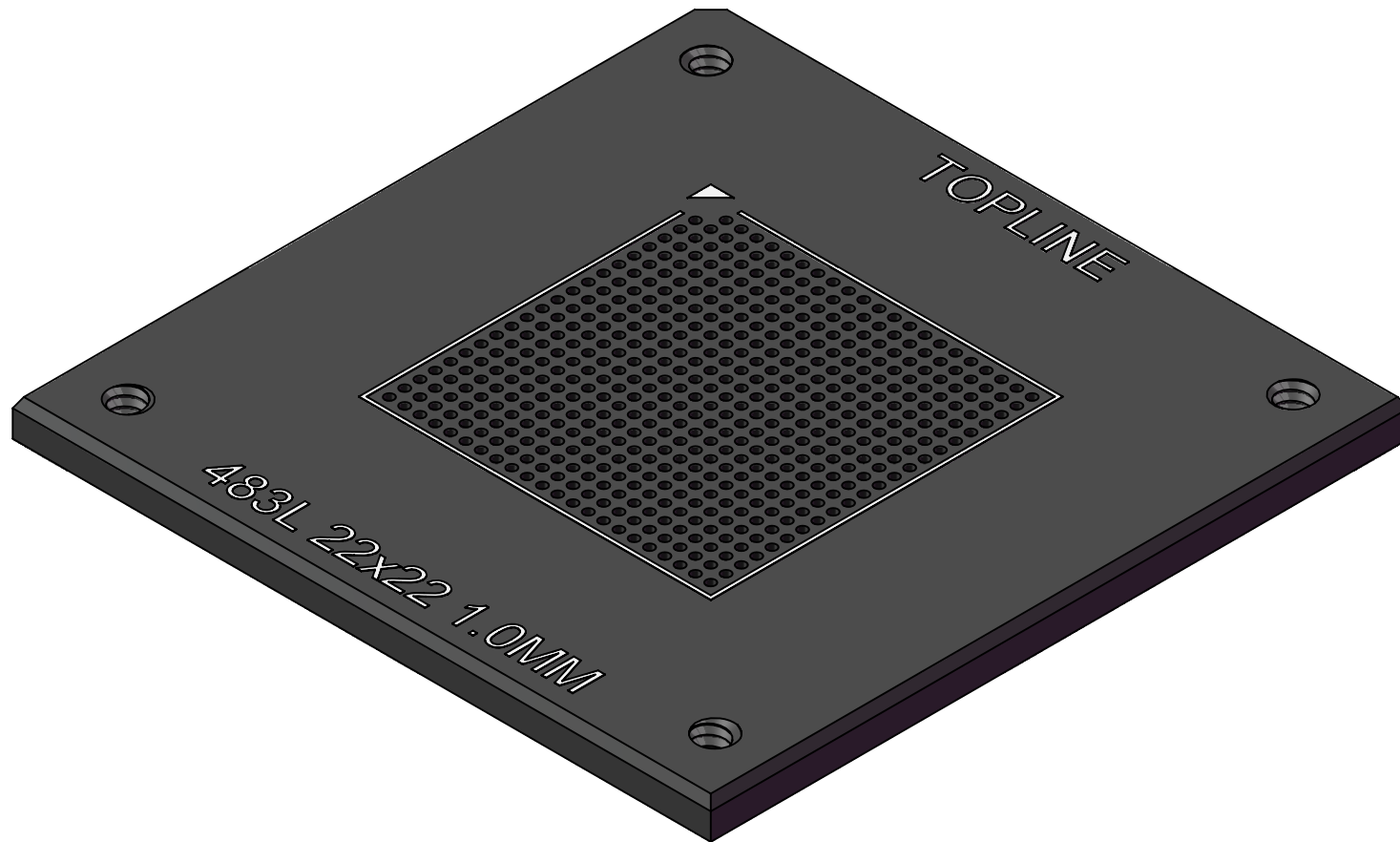
**TopLine®**

TITLE CCGA483 - 1.0MM  
PA1 CARRIER Ø20 MIL PIN

SCALE 2:1	SIZE A	DRAWING NO. 021222	REV A
--------------	-----------	-----------------------	----------

DO NOT SCALE DRAWING SHEET 2 OF 4

MODEL  
TOP



**TopLine**<sup>®</sup>

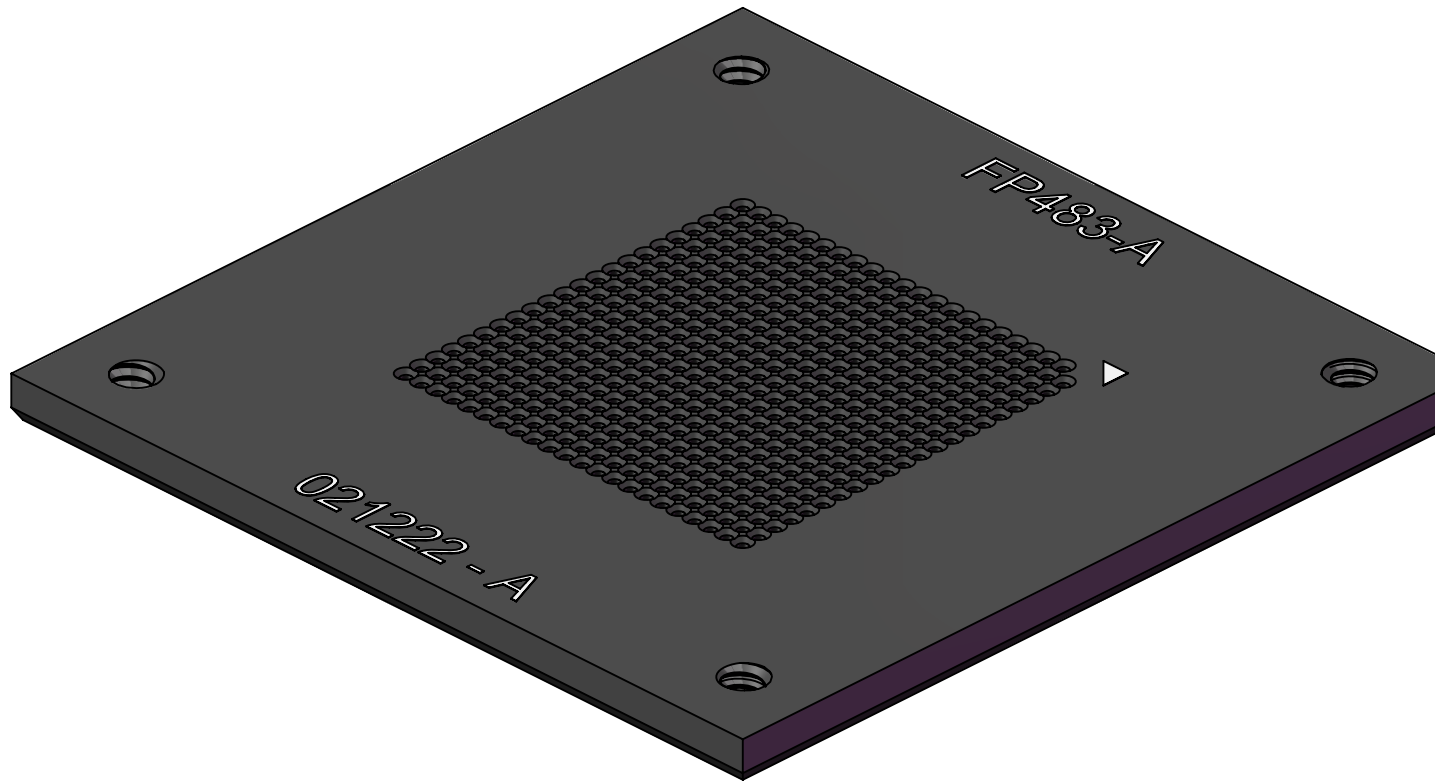
TITLE CCGA483 - 1.0MM  
PA1 CARRIER Ø20 MIL PIN

SCALE	SIZE	DRAWING NO.	REV
3:1	A	021222	A

DO NOT SCALE DRAWING

SHEET 3 OF 4

MODEL  
BOTTOM



<b>TopLine<sup>®</sup></b>			
TITLE CCGA483 - 1.0MM PA1 CARRIER Ø20 MIL PIN			
SCALE 3:1	SIZE A	DRAWING NO. 021222	REV A
DO NOT SCALE DRAWING			SHEET 4 OF 4