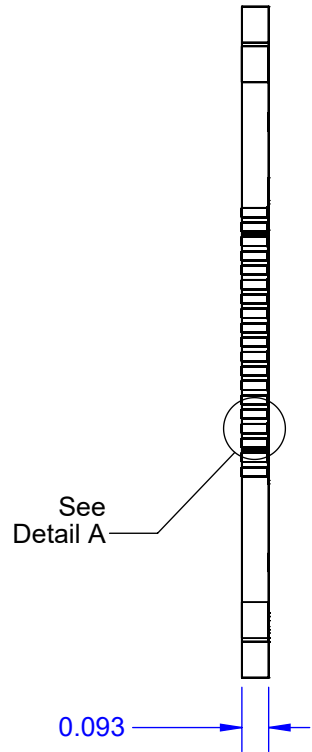
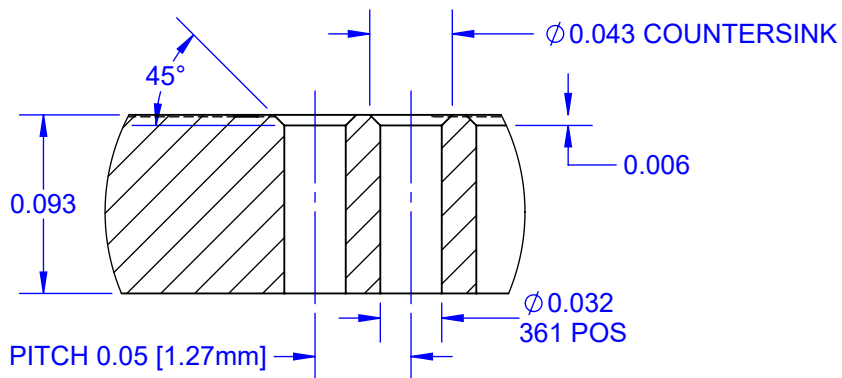
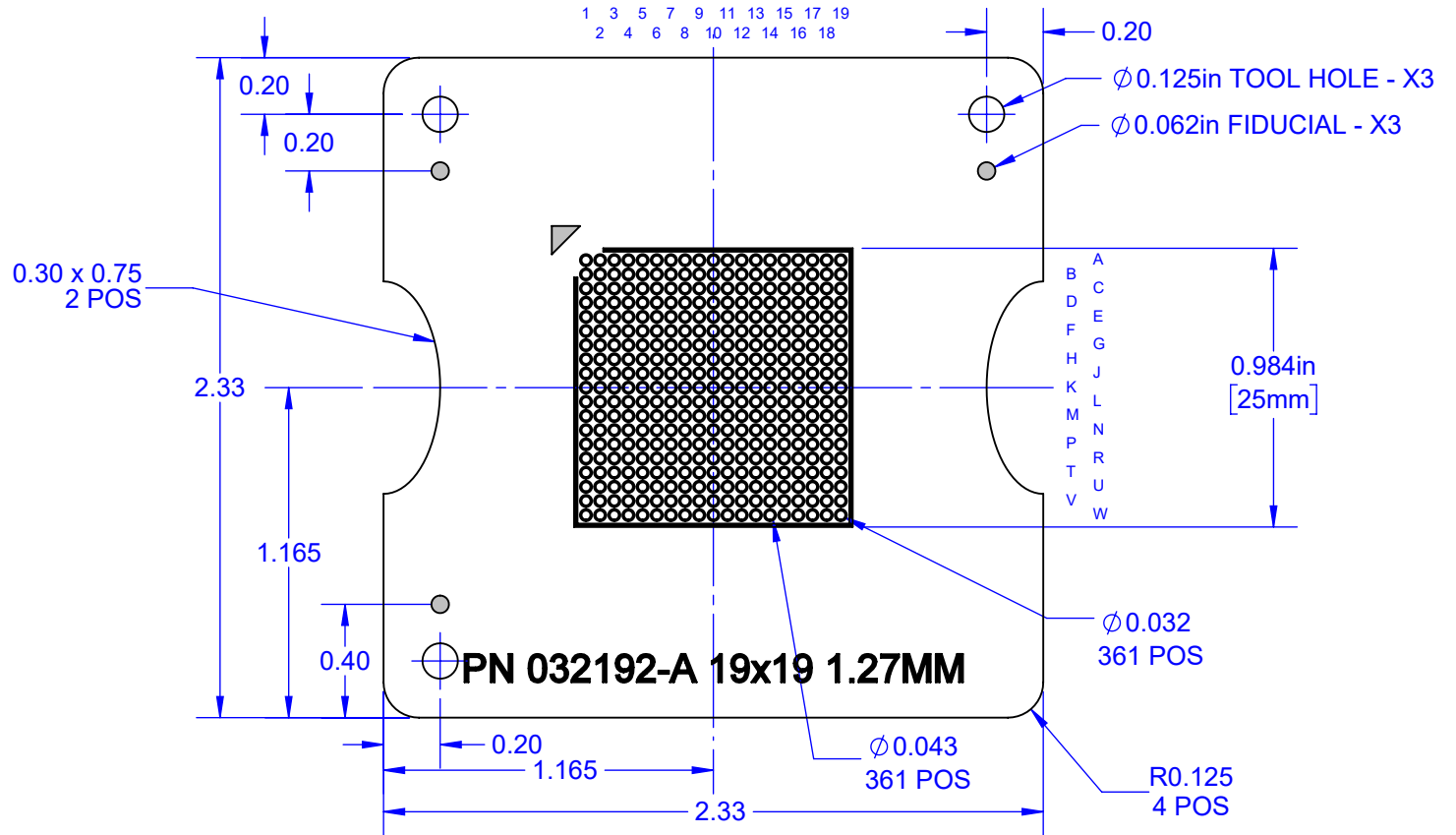


SIDE VIEW



TOP VIEW



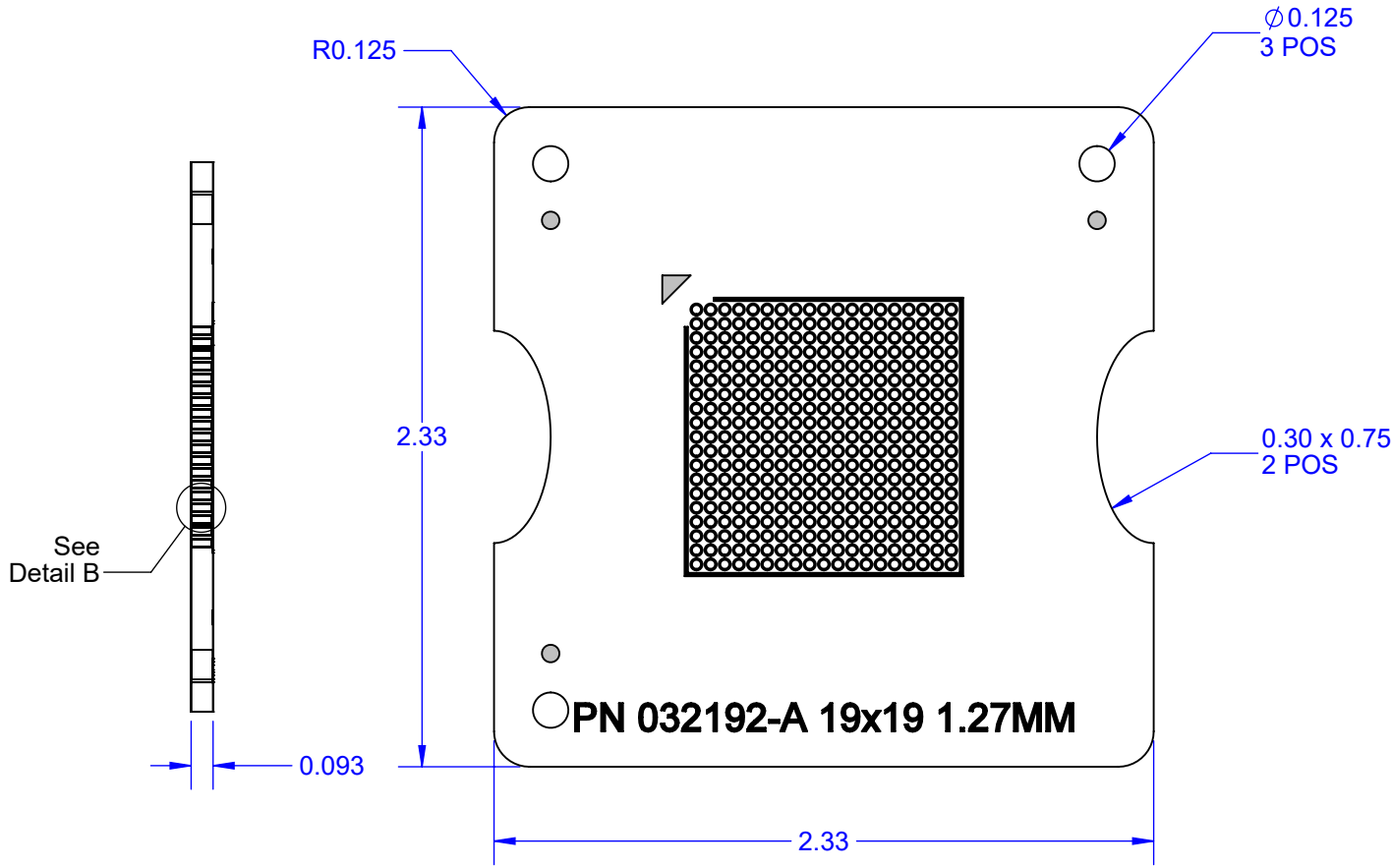
DETAIL A

NOTES:

1. DIMENSIONS IN INCH UNLESS OTHERWISE STATED.
2. MATERIAL: FR4 COLOR BLACK.
3. LEGEND: WHITE INK.
4. PIN REFERENCE DESIGNATORS NOT MARKED ON PCB

| | | | | | |
|-------------|----------|---------------------------------------|------|-------------|--------------|
| APPROVALS | DATE | TopLine® | | | |
| DRAWN T.Au | 11/05/17 | | | | |
| ENG M. Hart | 11/05/17 | TITLE CCGA361 TRAY INSERT 2.33" SQ | | | |
| MFG | | SCALE | SIZE | DRAWING NO. | REV |
| QA | | 3:2 | A | 032192 | A |
| CUST | | DO NOT SCALE DRAWING | | | SHEET 1 OF 3 |
| REVISED | | | | | |

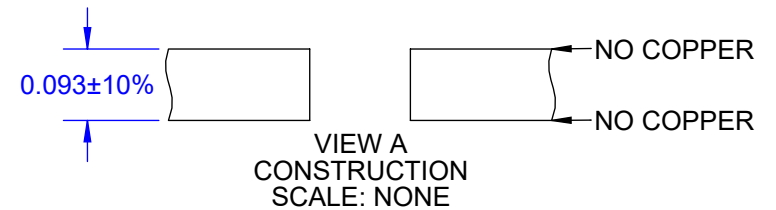
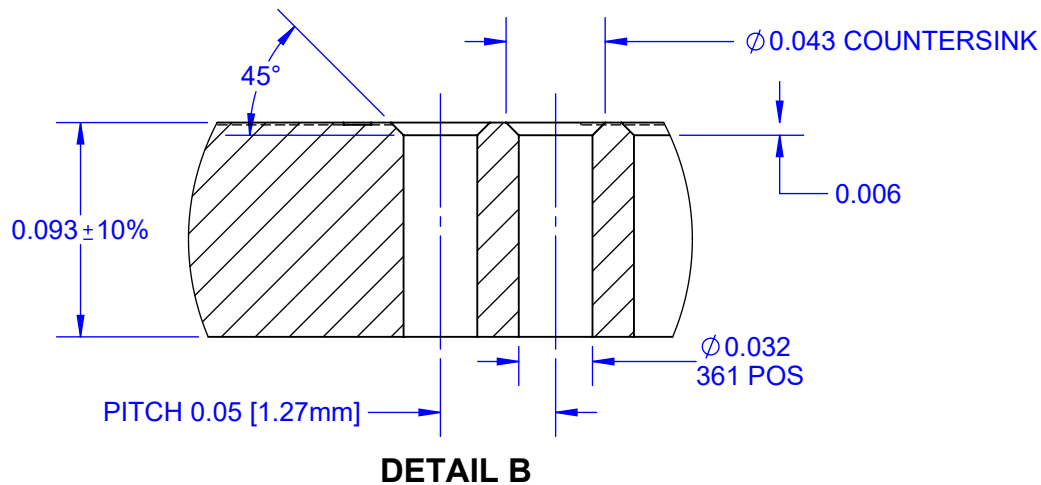
FAB DRILL AND PLATED THROUGH HOLES



| HOLE CHART | | | |
|------------|------------------------|--------------|---------|
| SYMBOL | DIAMETER UNPLATED THRU | COUNTER SINK | QTY PCB |
| + | 0.032±0.003 | - | 361 |
| ○ | - | 0.043±0.003 | 361 |
| ○ | ∅0.125 | | 3 |
| TOTAL | | | 725 |

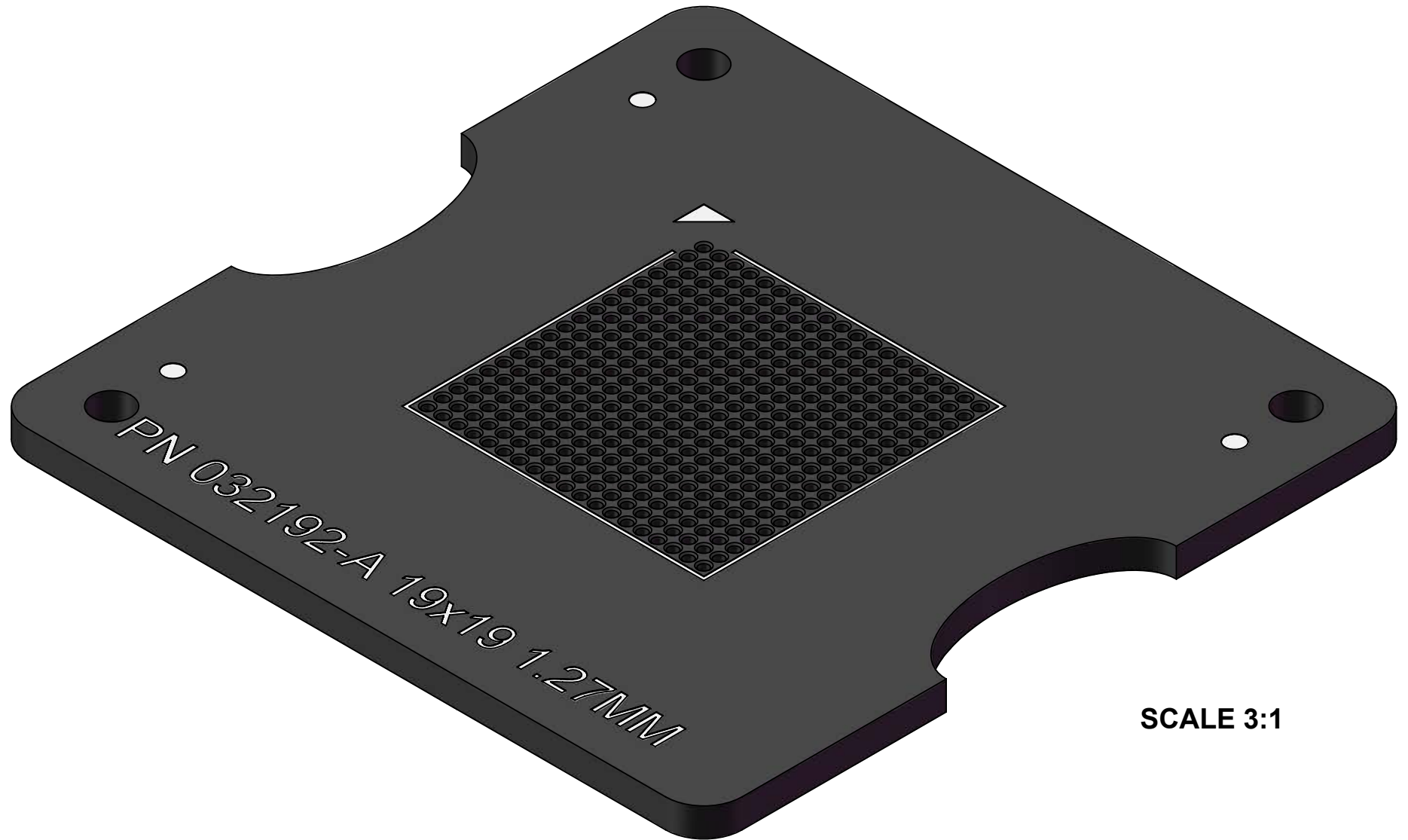
FAB NOTES:

- MATERIAL:
A. NO COPPER (0/0).
B. G10 BLACK COLOR.
- REFER TO DETAIL A COUNTER SINK.
- REFER TO VIEW A FOR STACK UP.
- NO PTH HOLES.
- NO SOLDER MASK.
- NO PCB MFRG LOGO ALLOWED.
- SILKSCREEN WHITE INK.
- FULLY ROUTE EACH BOARD.



| | | | |
|---------------------------------------|-----------|-----------------------|----------|
| TopLine[®] | | | |
| TITLE CCGA361 TRAY INSERT 2.33" SQ | | | |
| SCALE 1.25:1 | SIZE A | DRAWING NO. 032192 | REV A |
| DO NOT SCALE DRAWING | | SHEET 2 OF 3 | |

MODEL



PN 032192-A 19X19 1.27MM

SCALE 3:1

| | | | |
|----------------------------|------|---------------------------------|--------------|
| TopLine[®] | | | |
| TITLE | | CCGA361 TRAY INSERT 2.33" SQ | |
| SCALE | SIZE | DRAWING NO. | REV |
| 3:1 | A | 032192 | A |
| DO NOT SCALE DRAWING | | | SHEET 3 OF 3 |