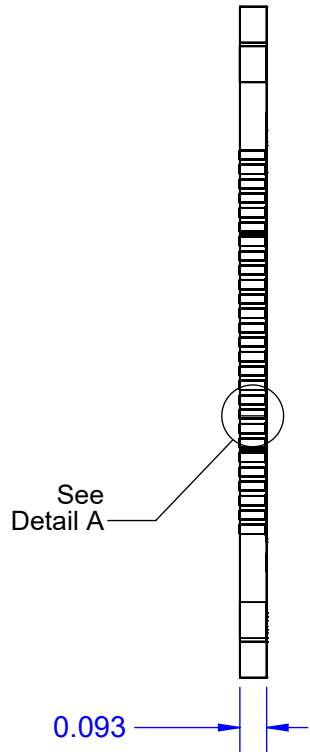
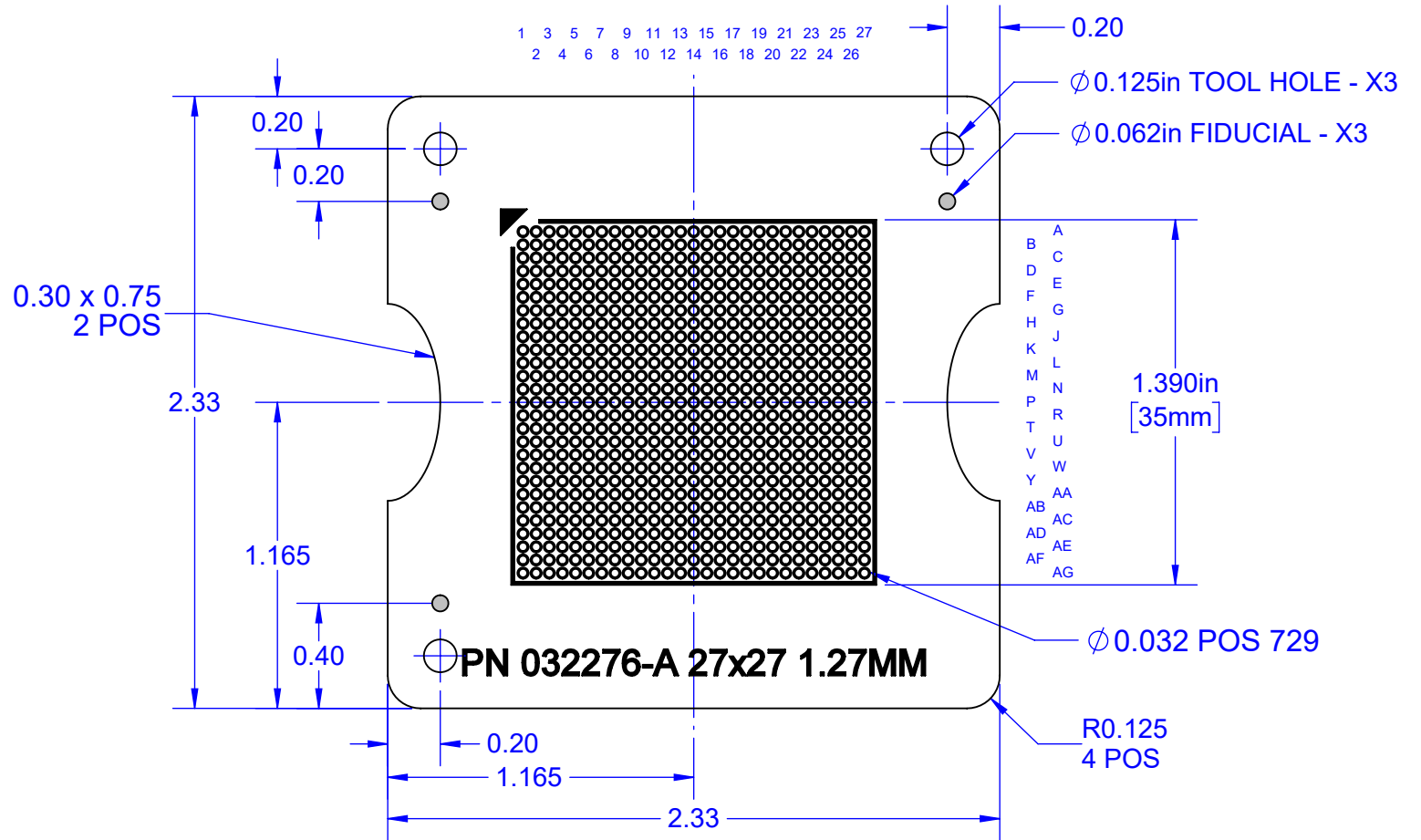


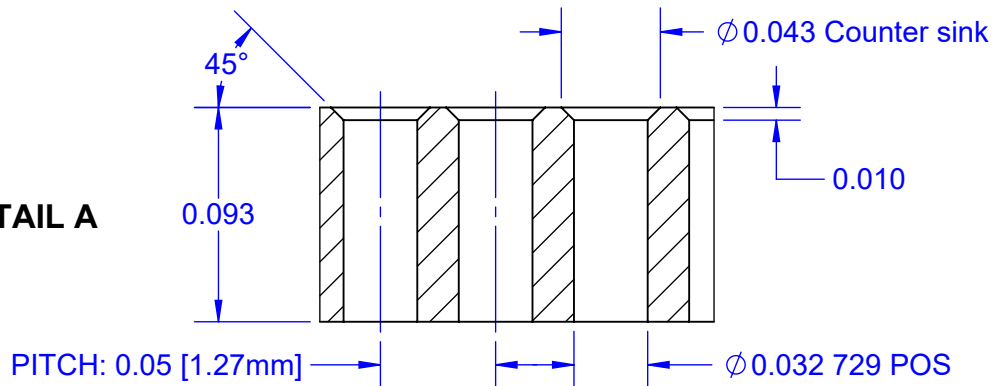
# SIDE VIEW



# TOP VIEW



# DETAIL A



- NOTES:
1. DIMENSIONS IN INCH UNLESS OTHERWISE STATED.
  2. MATERIAL BRASS.
  3. LEGEND: BLACK INK.
  4. ESD < 1Ω

**TopLine®**

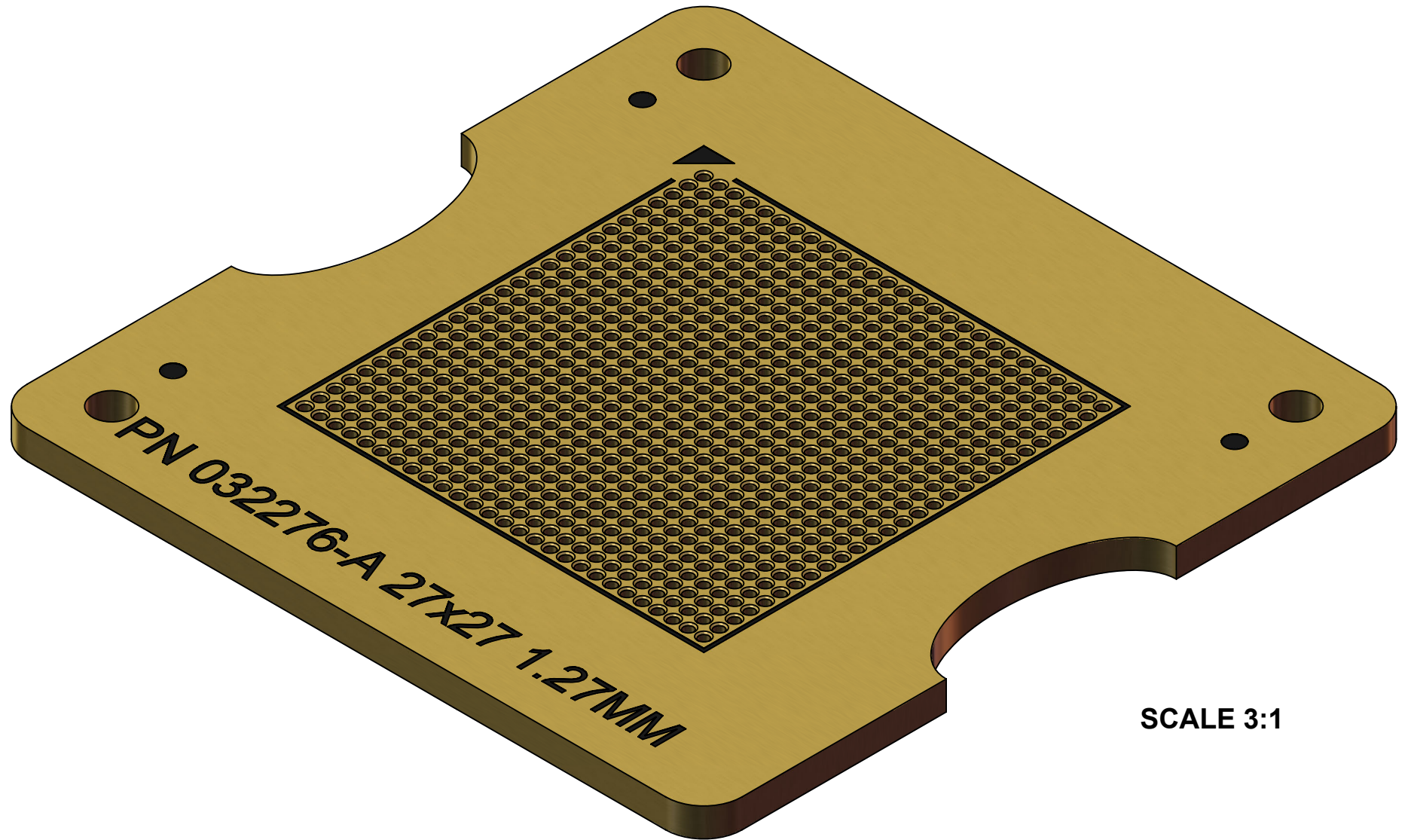
TITLE CCGA717 TRAY INSERT  
2.33" SQ

SCALE 3:2	SIZE A	DRAWING NO. 032276	REV A
--------------	-----------	-----------------------	----------

DO NOT SCALE DRAWING

SHEET 1 OF 2

MODEL



SCALE 3:1

<b>TopLine®</b>			
TITLE CCGA896 TRAY INSERT 2.33" SQ			
SCALE 3:1	SIZE A	DRAWING NO. 032276	REV A
DO NOT SCALE DRAWING			SHEET 2 OF 2