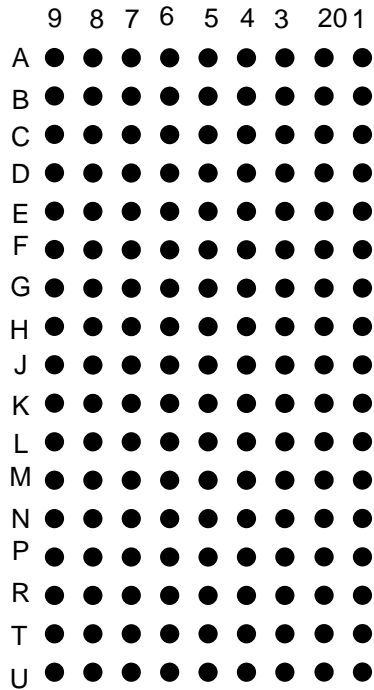
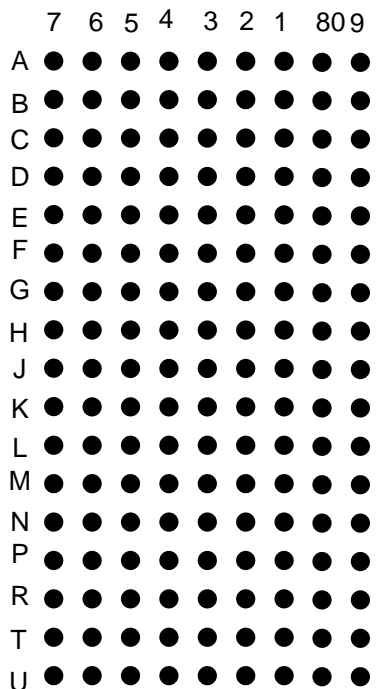
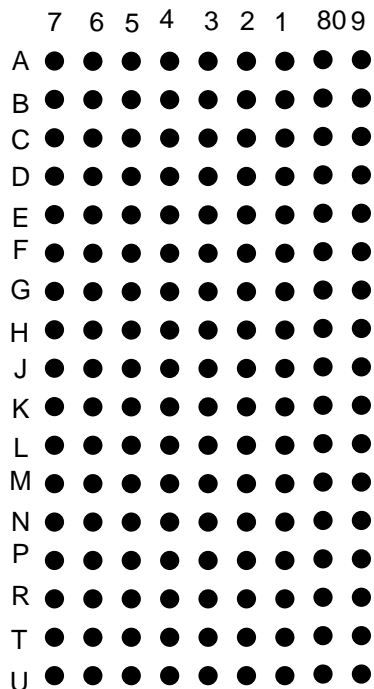
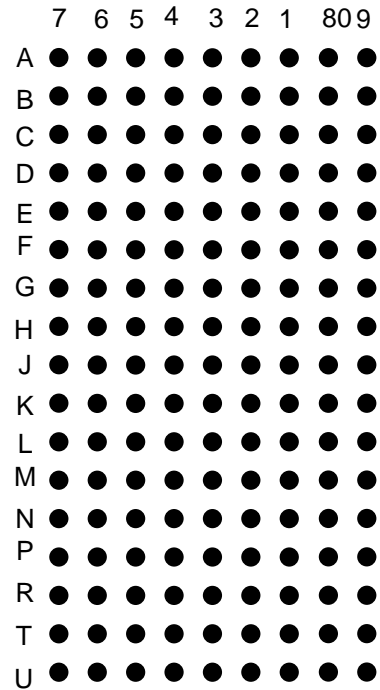


BALLS	PITCH	SIZE	MATRIX	ROWS	CENTER	MAT'L
153	1.27mm	14 x 22mm	9 x 17	full	full	BT

BALL VIEW



BOTTOM SIDE (TOP X-RAY VIEW)



TEST VEHICLE BOARD

AFTER MOUNTING TO TEST BOARD

BGA153T1.27-DC917

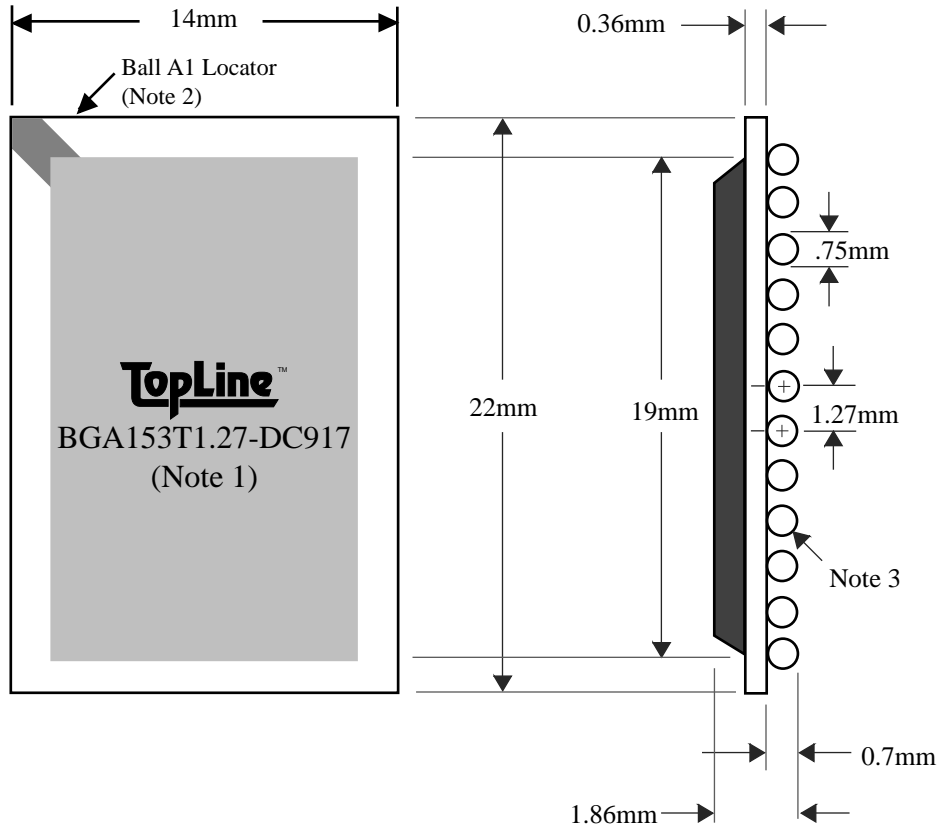


TEL 1-714-898-3830
info@toplinedummy.com

<u>BALLS</u>	<u>PITCH</u>	<u>SIZE</u>	<u>MATRIX</u>	<u>ROWS</u>	<u>CENTER</u>	<u>MAT'L</u>
153	1.27mm	14 x 22mm	9 x 17	full	full	BT

TOP VIEW

SIDE VIEW



NOTES		REVISIONS		
Note 1	Logo and part number centered White ink or laser marked	Rev	Date	Changes
Note 2	Ball A1 locator mark positioned in corner			
Note 3	Ball Material: 63/37 SnPb	PACKAGING TRAYS		
Note 4	Substrate Material: BT laminate	Tray BGATRAY14x22 Tray Quantity _____		