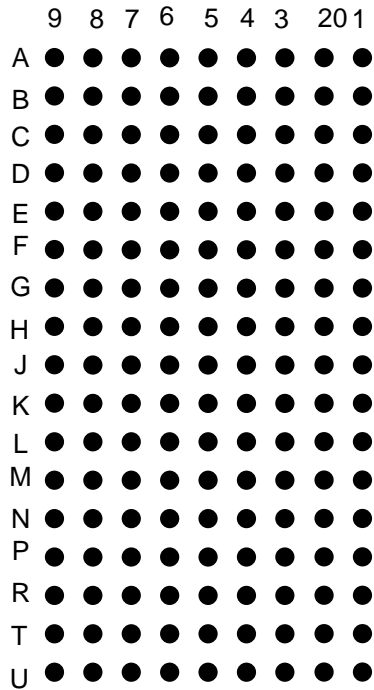
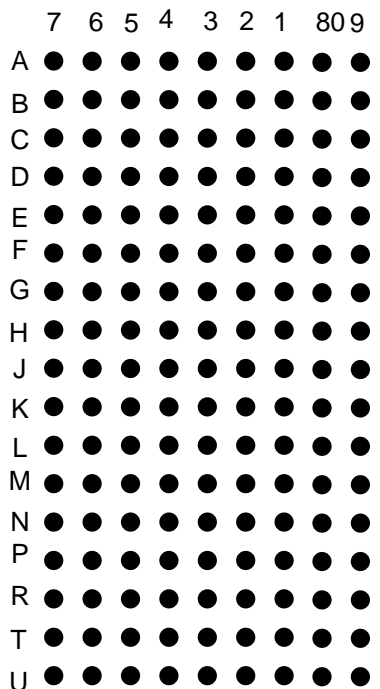
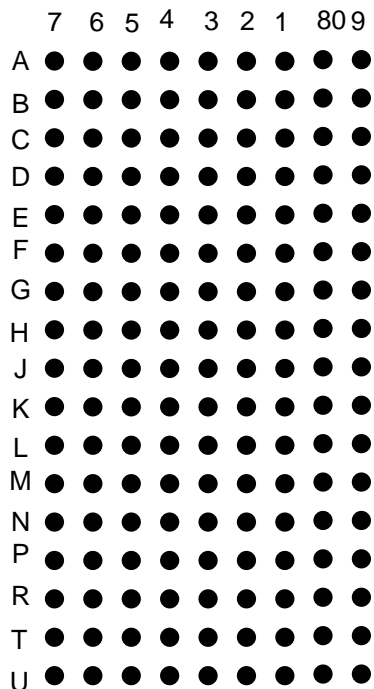
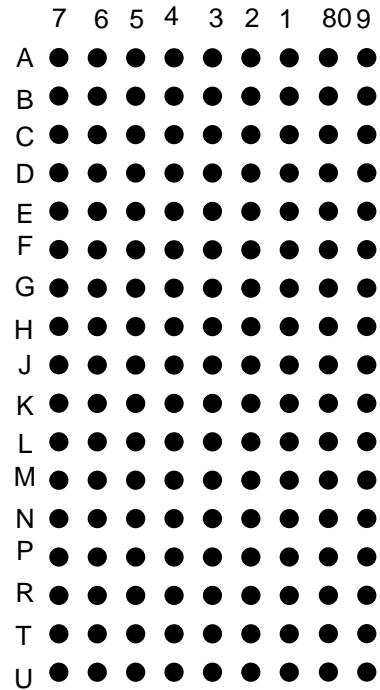


BALLS	PITCH	SIZE	MATRIX	ROWS	CENTER	MAT'L
153	1.27mm	14 x 22mm	9 x 17	full	full	BT

### BALL VIEW



### BOTTOM SIDE (TOP X-RAY VIEW)



### TEST VEHICLE BOARD

### AFTER MOUNTING TO TEST BOARD

# BGA153T1.27-ISO

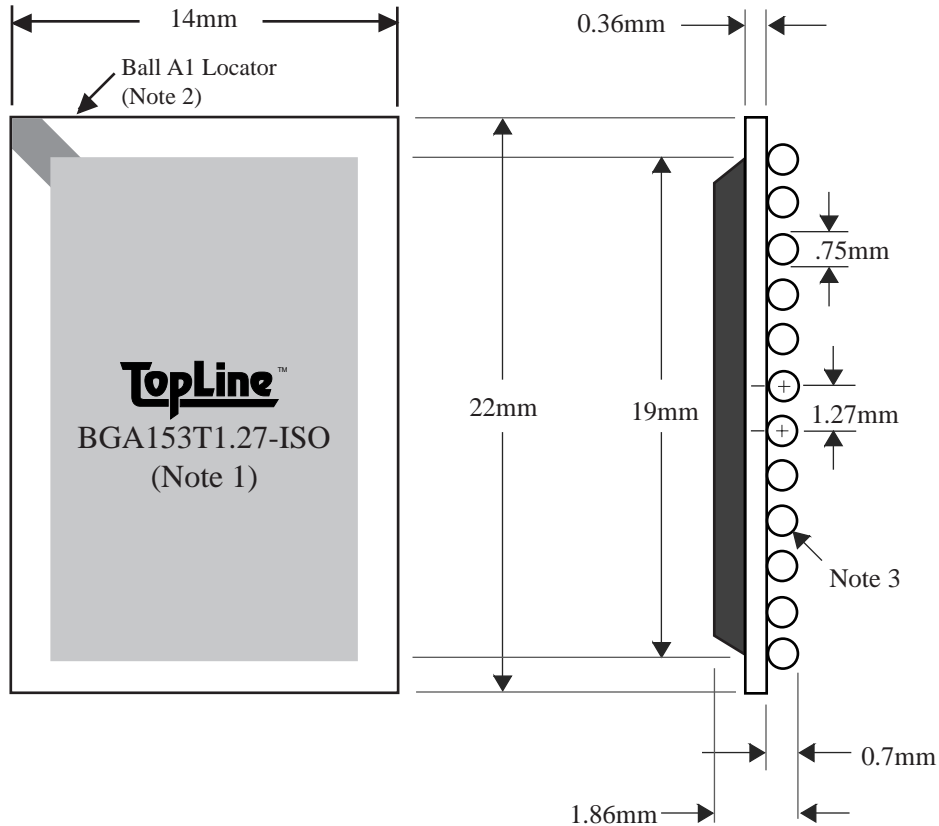


TEL 1-714-898-3830  
info@toplinedummy.com

<u>BALLS</u>	<u>PITCH</u>	<u>SIZE</u>	<u>MATRIX</u>	<u>ROWS</u>	<u>CENTER</u>	<u>MAT'L</u>
153	1.27mm	14 x 22mm	9 x 17	full	full	BT

**TOP VIEW**

**SIDE VIEW**



NOTES		REVISIONS	
Note 1	Logo and part number centered White ink or laser marked	<u>Rev</u>	<u>Date</u> <u>Changes</u>
Note 2	Ball A1 locator mark positioned in corner		
Note 3	Ball Material: 63/37 SnPb		
Note 4	Substrate Material: BT laminate		
		PACKAGING TRAYS	
		Tray BGATRAY14x22 Tray Quantity _____	