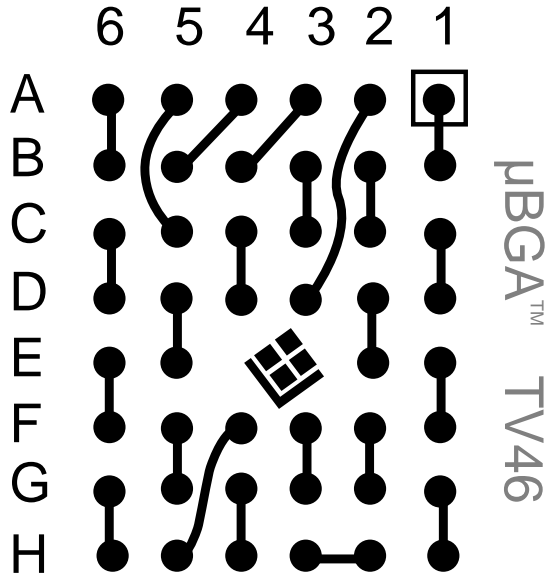


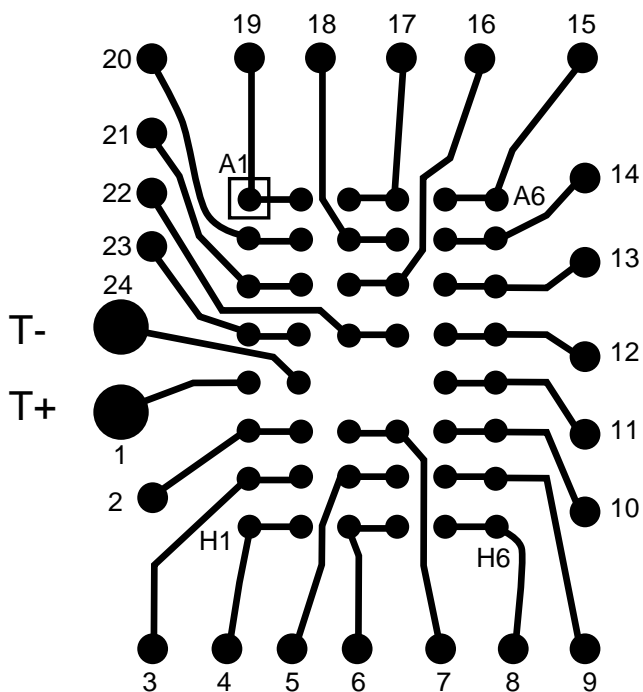
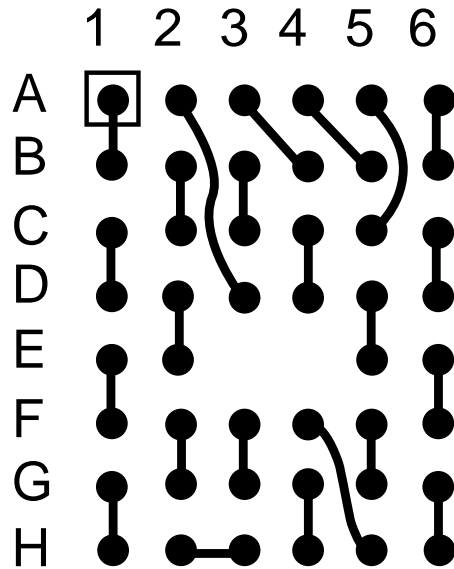
BALLS	PITCH	SIZE	MATRIX	ROWS	CENTER	MAT'L
46	0.75mm	5.76 x 7.87mm	6 x 8	full	full	Polyimide

## CSP46T.75-DC24

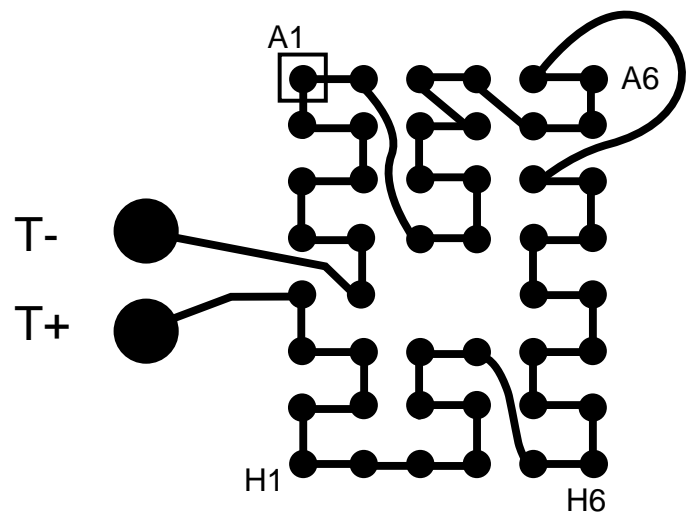
**BALL VIEW**



**BOTTOM SIDE (TOP X-RAY VIEW)**



**TEST VEHICLE BOARD**



**AFTER MOUNTING TO TEST BOARD**

# CSP46T.75-DC24

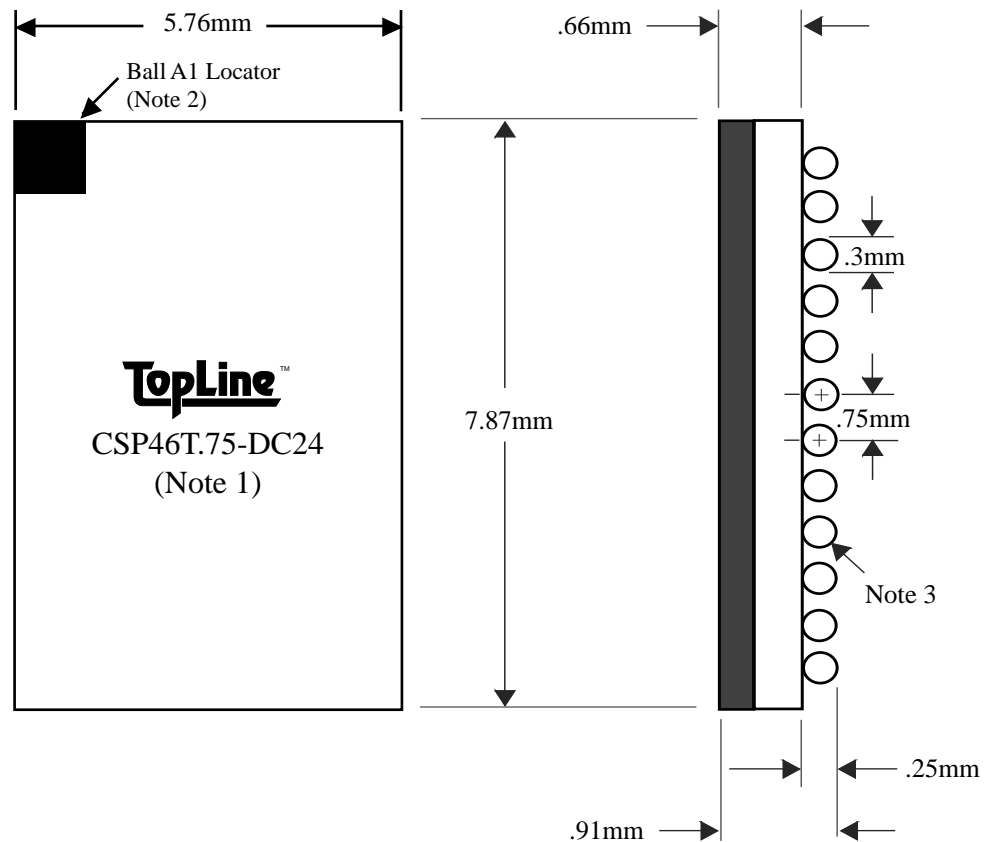


<u>BALLS</u>	<u>PITCH</u>	<u>SIZE</u>	<u>MATRIX</u>	<u>ROWS</u>	<u>CENTER</u>	<u>MAT'L</u>
46	0.75mm	5.76 x 7.87mm	6 x 8	full	full	Polyimide

TEL 1-714-898-3830  
info@toplinedummy.com

**TOP VIEW**

**SIDE VIEW**



<b>NOTES</b>		<b>REVISIONS</b>		
Note 1	Logo and part number centered	<u>Rev</u>	<u>Date</u>	<u>Changes</u>
Note 2	Ball A1 locator mark positioned in corner			
Note 3	Ball Material: 63/37 SnPb	<b>PACKAGING TRAYS</b>		
Note 4	Substrate Material: Polyimide Tape	Tray H44-TV46-01B Tray Quantity 99 Tray Suppliers (ref): FLOUROWARE H44-TV46-01B BOTTOM H44-TV46-03 COVER		