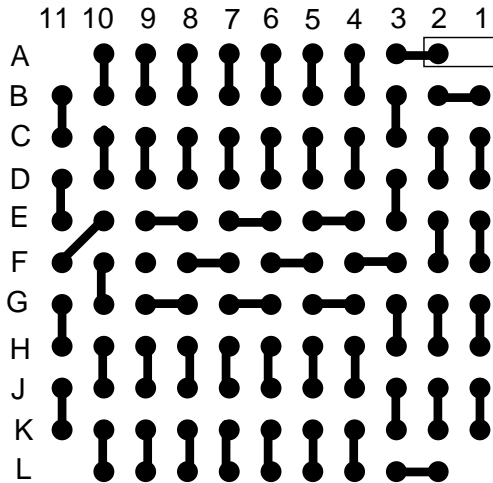


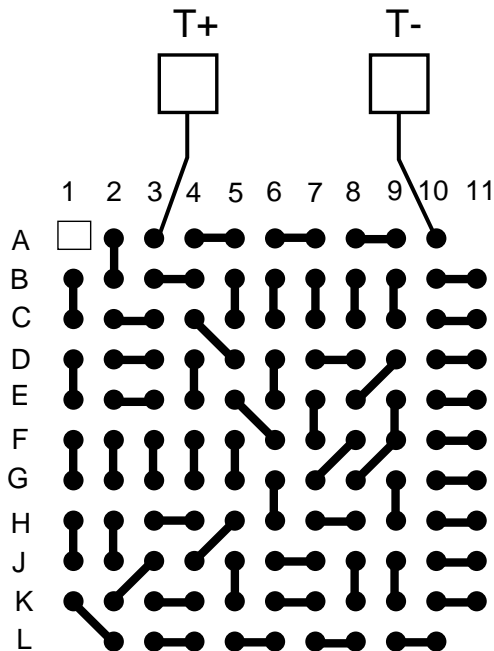
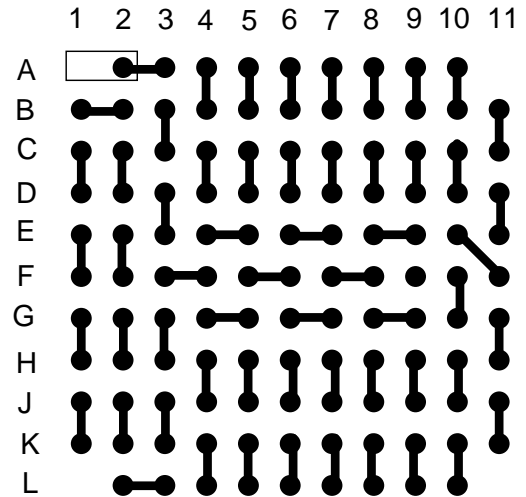
BALLS	PITCH	SIZE	MATRIX	ROWS	CENTER	MAT'L
121	1.5mm	19mm SQ	11 x 11	full	full	FR4

LBGA121T1.5-DC5

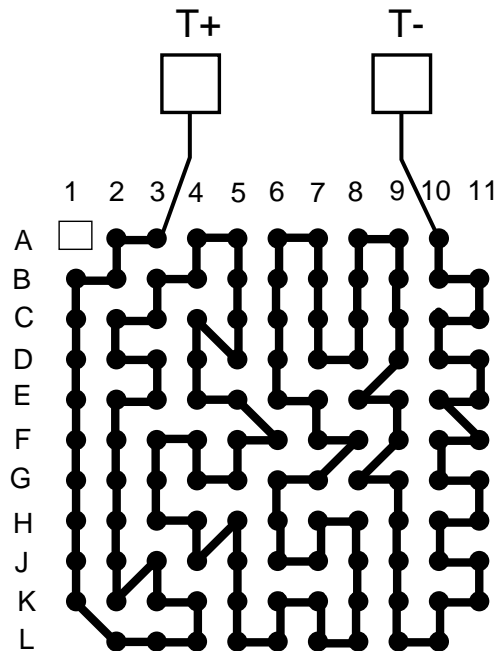
BALL VIEW



BOTTOM SIDE (TOP X-RAY VIEW)



TEST VEHICLE BOARD



AFTER MOUNTING TO TEST BOARD

LBGA121T1.5-DC5

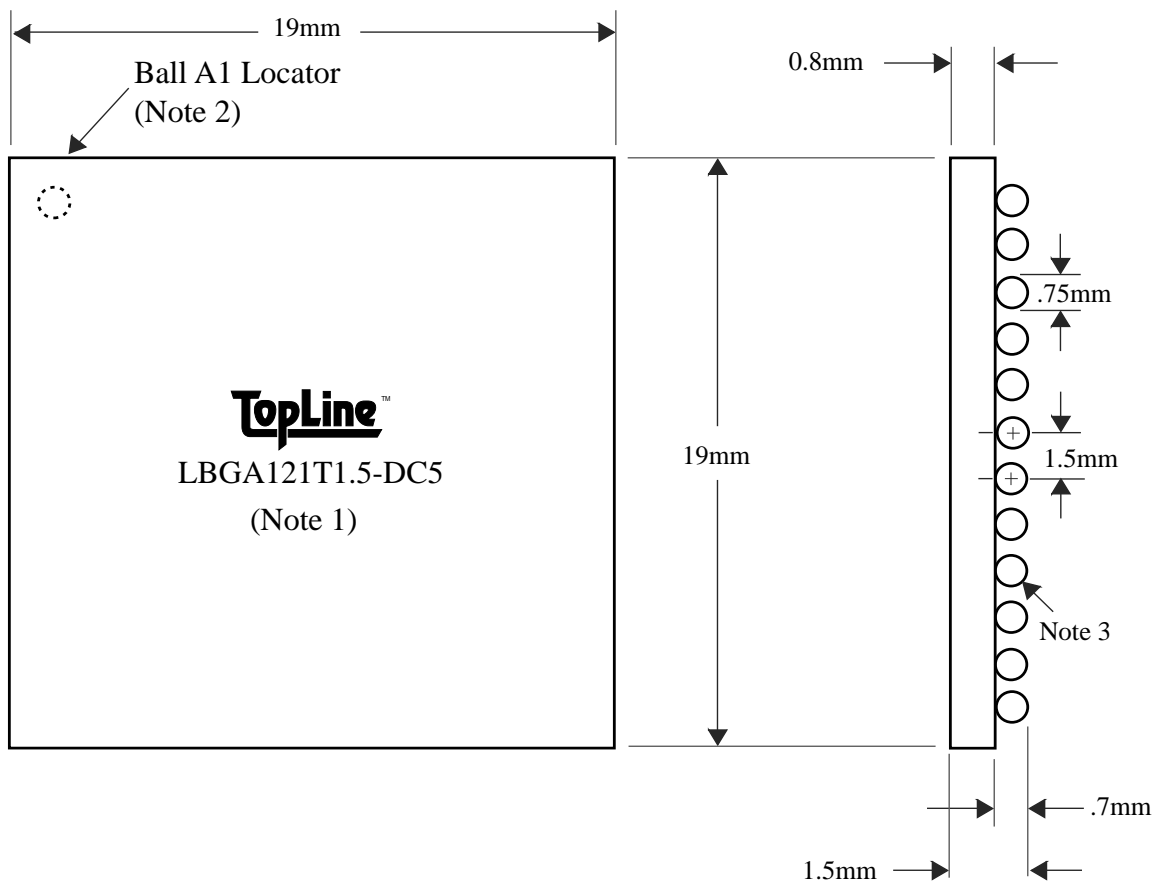


TEL 1-714-898-3830
info@toplinedummy.com

<u>BALLS</u>	<u>PITCH</u>	<u>SIZE</u>	<u>MATRIX</u>	<u>ROWS</u>	<u>CENTER</u>	<u>MAT'L</u>
121	1.5mm	19mm SQ	11 x 11	full	full	FR4

TOP VIEW

SIDE VIEW



NOTES		REVISIONS		
Note 1	Logo and part number centered White ink on black solder mask	Rev	Date	Changes
Note 2	Ball A1 locator mark positioned in corner			
Note 3	Ball Material: 62/36/2 SnPbAg			
Note 4	Substrate Material: FR4 laminate			
		PACKAGING TRAYS		
		Tray BGATRAY19mm-6x14 Tray Quantity 84		