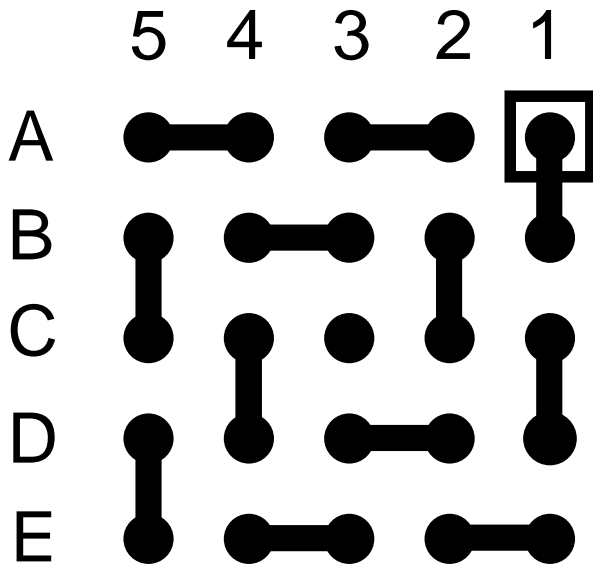


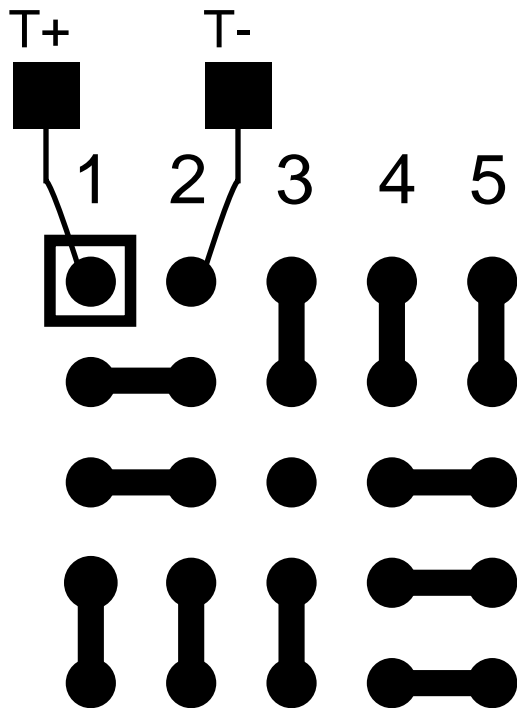
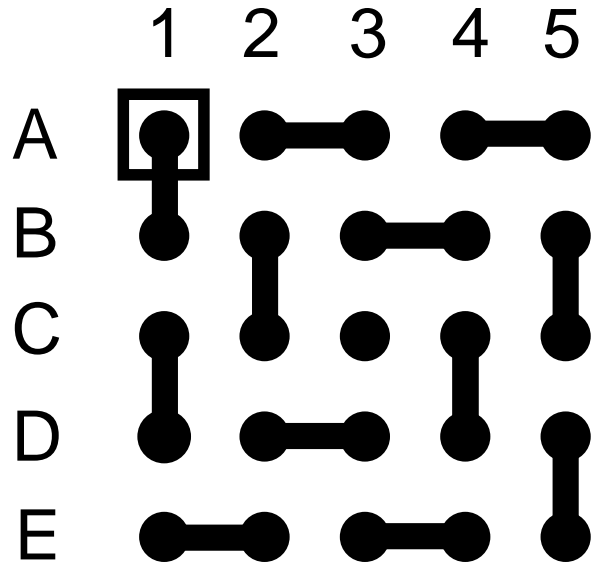
TEL 1-714-898-3830  
 info@toplinedummy.com

BALLS	PITCH	SIZE	MATRIX	ROWS	CENTER	MAT'L
25	0.8mm	5mm SQ	5 x 5	full	full	FR4

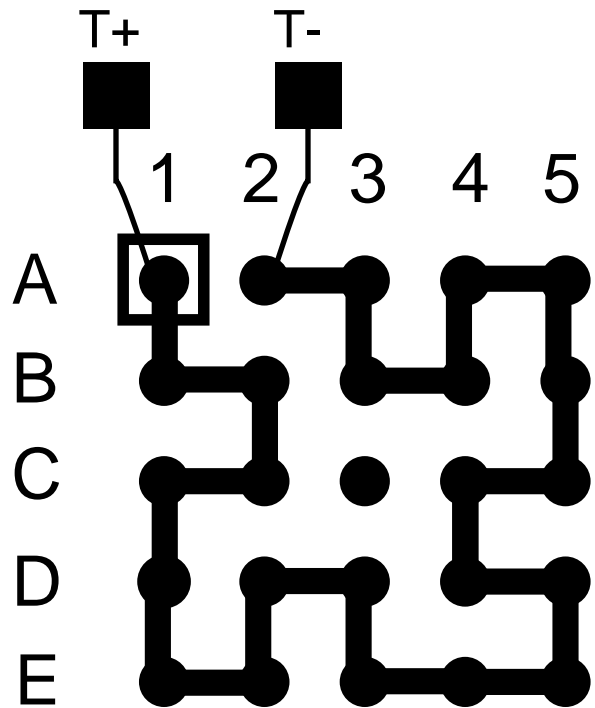
**BALL VIEW**



**BOTTOM SIDE (TOP X-RAY VIEW)**



**TEST VEHICLE BOARD**



**AFTER MOUNTING TO TEST BOARD**

# LBGA25T.8-DC059

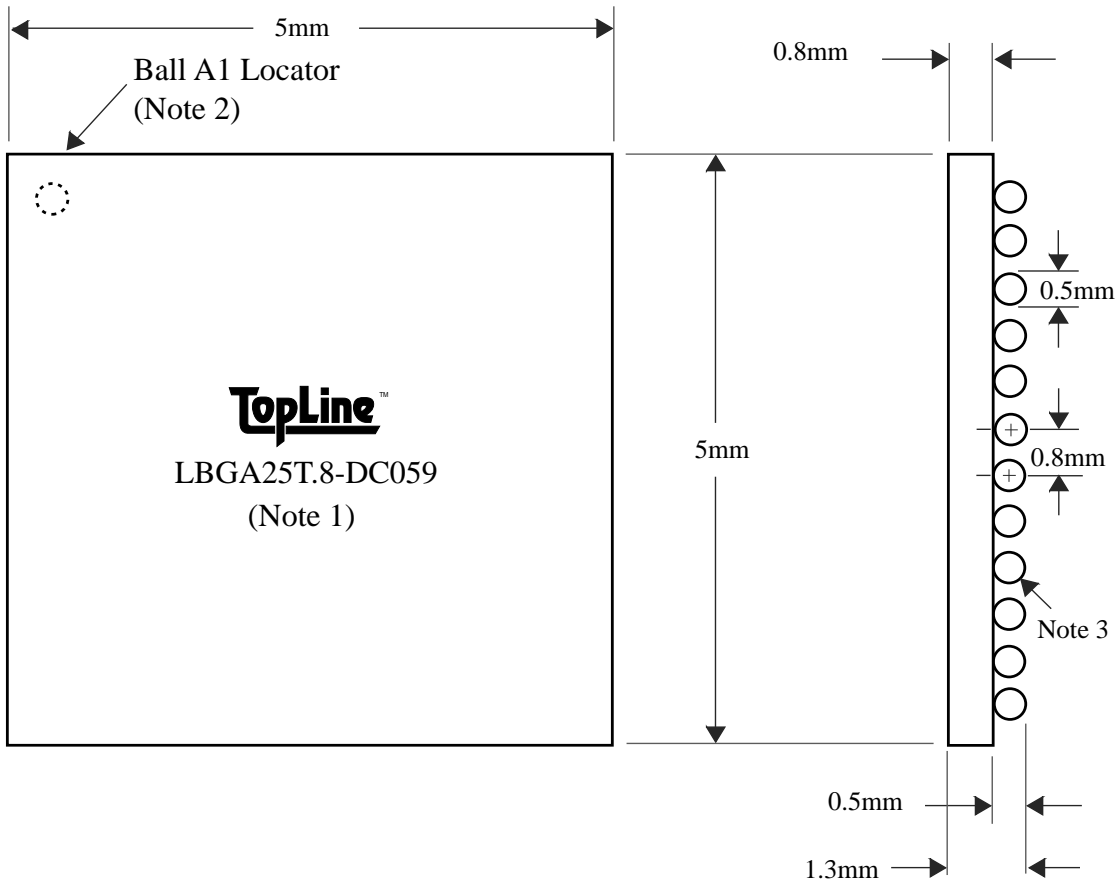


TEL 1-714-898-3830  
info@toplinedummy.com

<u>BALLS</u>	<u>PITCH</u>	<u>SIZE</u>	<u>MATRIX</u>	<u>ROWS</u>	<u>CENTER</u>	<u>MAT'L</u>
25	0.8mm	5mm SQ	5 x 5	full	full	FR4

**TOP VIEW**

**SIDE VIEW**



NOTES		REVISIONS		
Note 1	Logo and part number centered White ink on black solder mask	Rev	Date	Changes
Note 2	Ball A1 locator mark positioned in corner			
Note 3	Ball Material: 62/36/2 SnPbAg			
Note 4	Substrate Material: FR4 laminate			
		PACKAGING TRAYS		
		Tray BGATRAY5mm Tray Quantity		