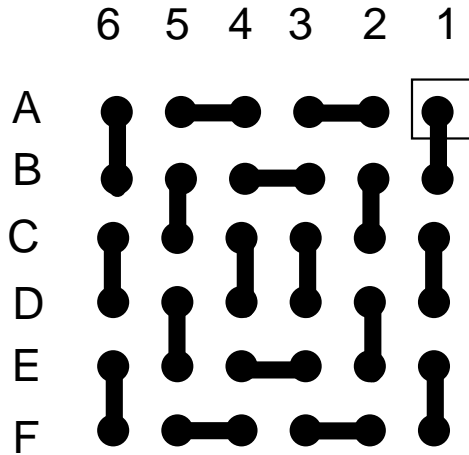


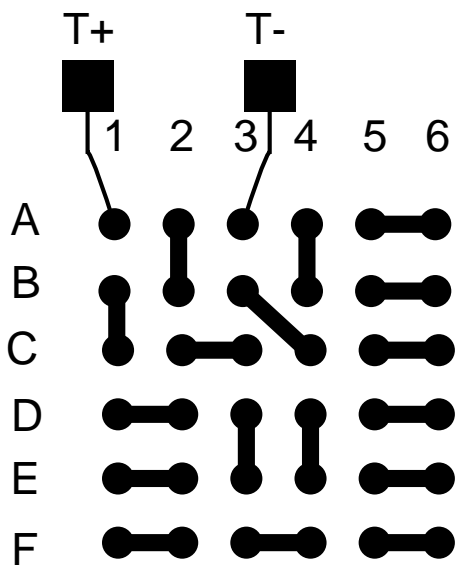
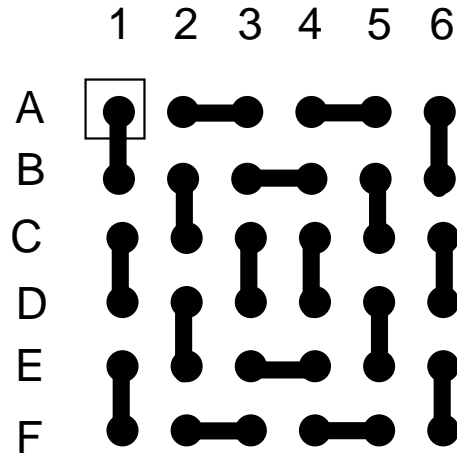
<u>BALLS</u>	<u>PITCH</u>	<u>SIZE</u>	<u>MATRIX</u>	<u>ROWS</u>	<u>CENTER</u>	<u>MAT'L</u>
36	0.8mm	5mm SQ	6 x 6	full	full	FR4

## LBGA36T.8-DC069

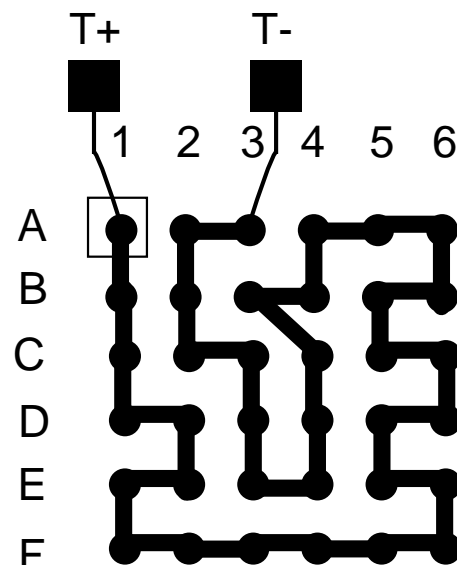
**BALL VIEW**



**BOTTOM SIDE (TOP X-RAY VIEW)**



**TEST VEHICLE BOARD**



**AFTER MOUNTING TO TEST BOARD**

# LBGA36T.8-DC069

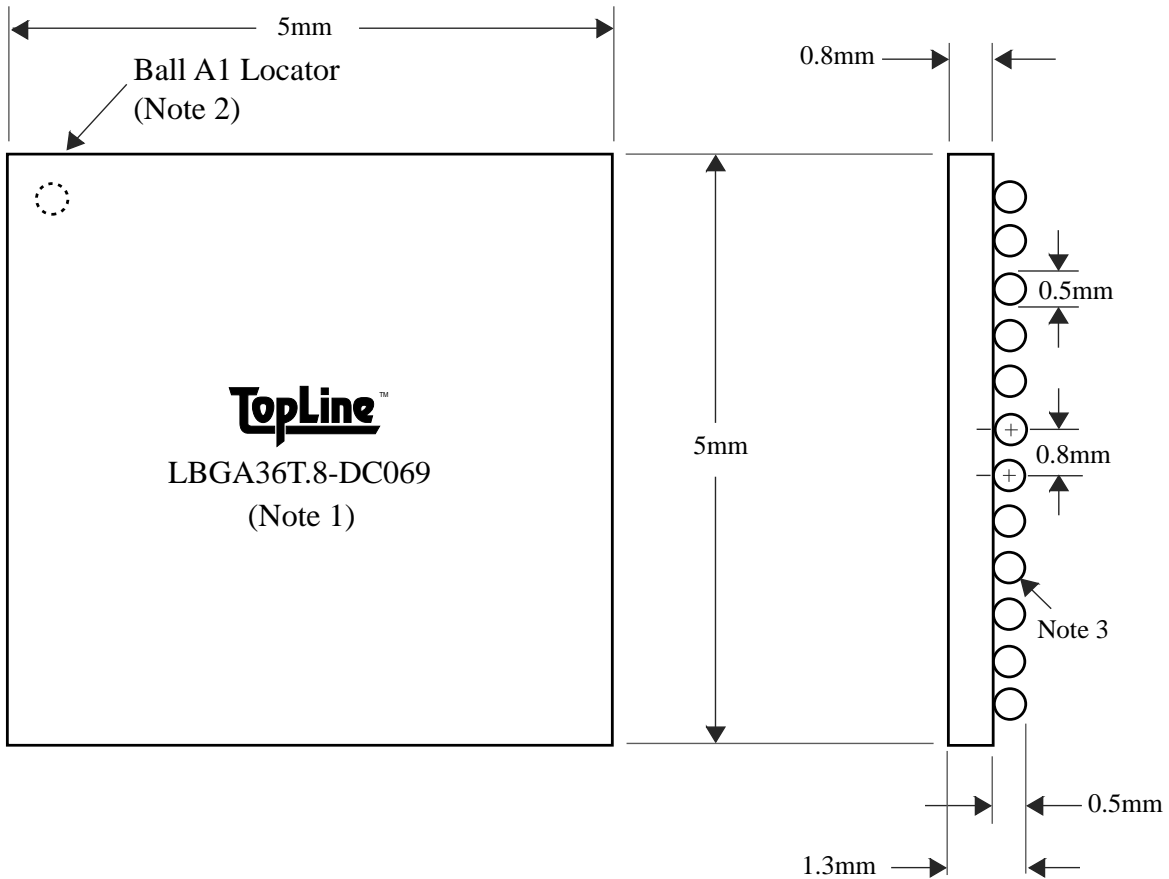


TEL 1-714-898-3830  
info@toplinedummy.com

<u>BALLS</u>	<u>PITCH</u>	<u>SIZE</u>	<u>MATRIX</u>	<u>ROWS</u>	<u>CENTER</u>	<u>MAT'L</u>
36	0.8mm	5mm SQ	6 x 6	full	full	FR4

**TOP VIEW**

**SIDE VIEW**



NOTES		REVISIONS		
Note 1	Logo and part number centered White ink on black solder mask	<u>Rev</u>	<u>Date</u>	<u>Changes</u>
Note 2	Ball A1 locator mark positioned in corner			
Note 3	Ball Material: 62/36/2 SnPbAg	<b>PACKAGING TRAYS</b>		
Note 4	Substrate Material: FR4 laminate	Tray BGATRAY5mm Tray Quantity		