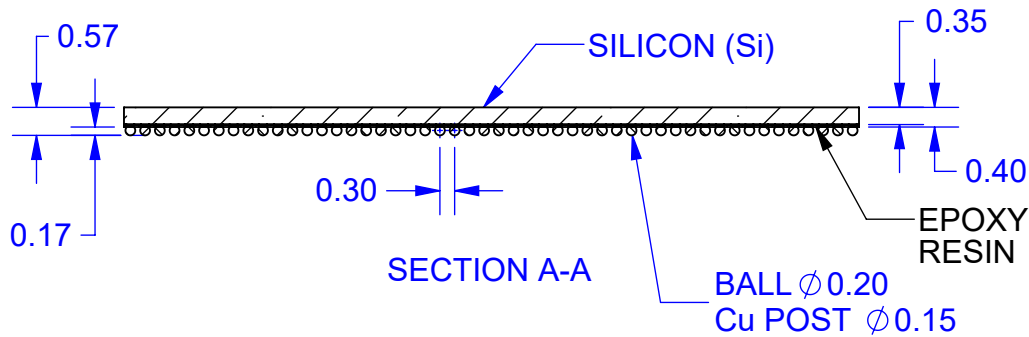
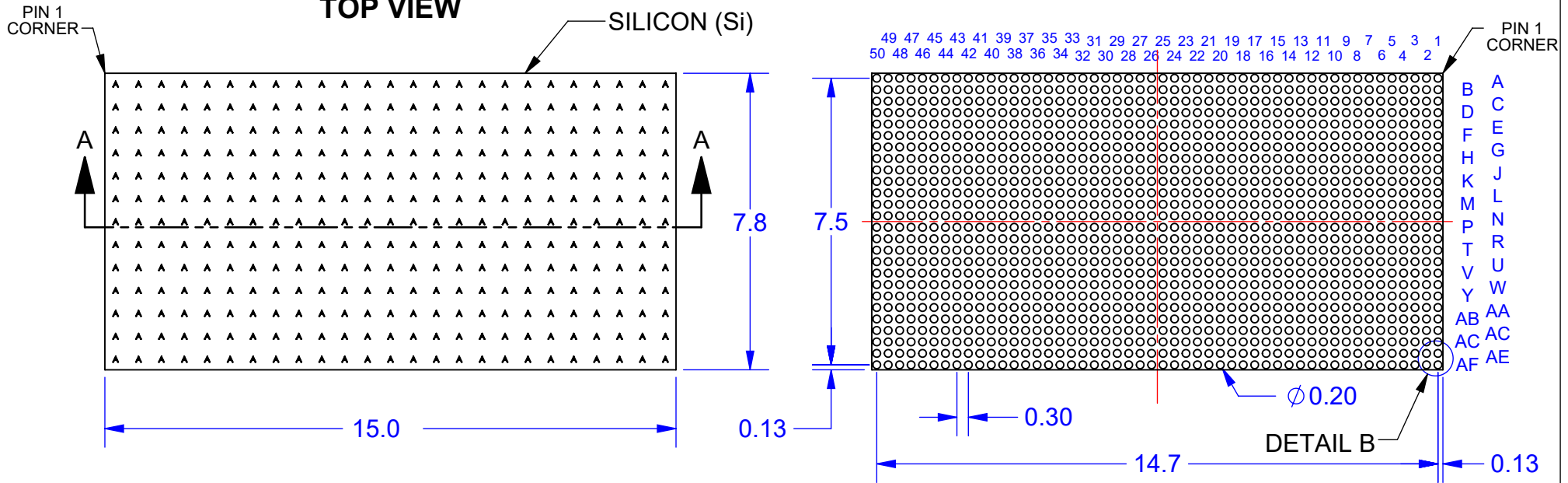


TOP VIEW



Notes: (Unless Otherwise Specified).

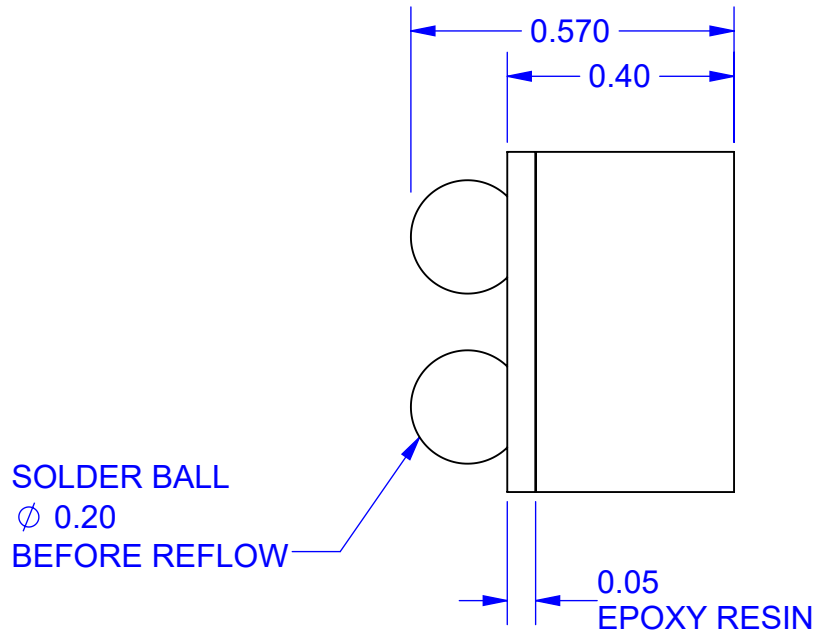
- 1) ALL DIMENSIONS MM.
- 2) PAD ALLOY: Cu (50 µm THICK).
- 3) PAD Cu DIAMETER 0.15mm.
- 4) SOLDER BALL ALLOY: SAC305.
- 5) DAISY CHAIN PATTERN (SEE PAGE 3/4).

x

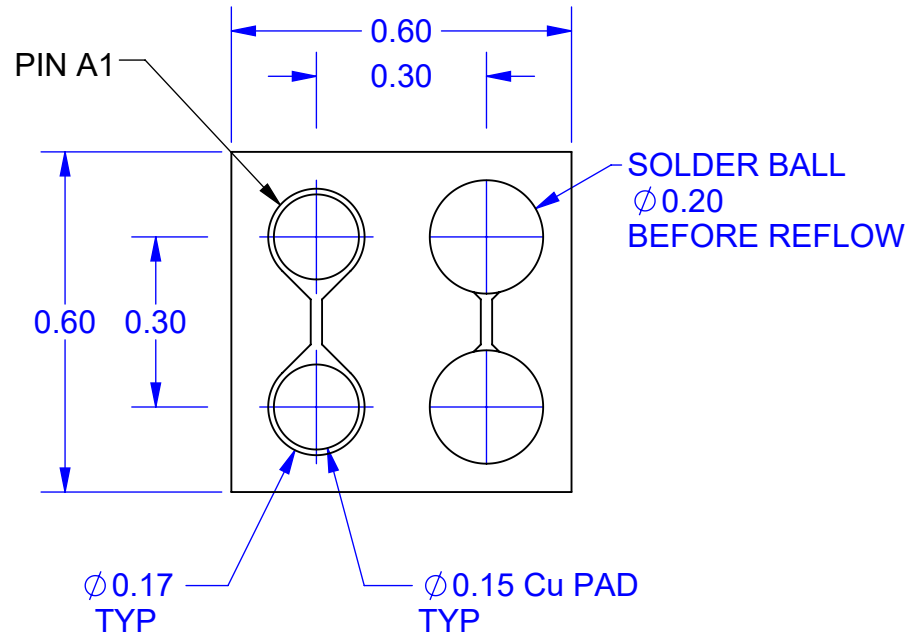
| | | | | | |
|-----------|------------|--|------|-------------|--------------|
| APPROVALS | DATE | TopLine TITLE WLP1300T.3C-DC5026D DAISY CHAIN P=0.3mm | | | |
| DRAWN | 12/27/2022 | | | | |
| ENG | 12/27/2022 | SCALE | SIZE | DRAWING NO. | REV |
| MFG | | 6.5:1 | A | 535020 | A |
| QA | | DO NOT SCALE DRAWING | | | SHEET 1 OF 4 |
| CUST | | | | | |
| REVISED | | | | | |

DETAIL B

SIDE VIEW



PAD VIEW



1. ALL DIMENSIONS MM.

TopLine

| | | | |
|--|------|-------------|--------------|
| TITLE | | | |
| WLP1300T.3C-DC5026D DAISY CHAIN P=0.3mm | | | |
| SCALE | SIZE | DRAWING NO. | REV |
| 75:1 | A | 535020 | A |
| DO NOT SCALE DRAWING | | | SHEET 2 OF 4 |

DAISY CHAIN PATTERN PAD VIEW



| | | | |
|---|------|-------------|--------------|
| TopLine[®] | | | |
| TITLE WLP1300T.3C-DC5026D DAISY CHAIN P=0.3mm | | | |
| SCALE | SIZE | DRAWING NO. | REV |
| 14:1 | A | 535020 | A |
| DO NOT SCALE DRAWING | | | SHEET 3 OF 4 |

DAISY CHAIN PATTERN TOP X-RAY VIEW OF PADS



| | | | |
|---|-----------|-----------------------|--------------|
| TopLine[®] | | | |
| TITLE WLP1300T.3C-DC5026D DAISY CHAIN P=0.3mm | | | |
| SCALE 14:1 | SIZE A | DRAWING NO. 535020 | REV A |
| DO NOT SCALE DRAWING | | | SHEET 4 OF 4 |