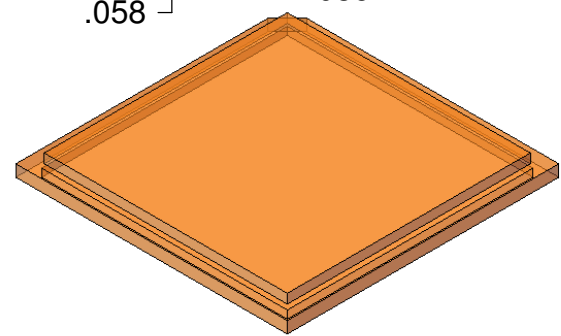



DETAIL B  
SCALE 3 : 1

DWG	COLOR	SURFACE RESISTIVITY
120000	BLACK	$10^9 \Omega$
120009	AMBER	$10^{12} \Omega$



MODEL

Notes: (Unless Otherwise Specified).  
 1) MATERIAL: PLASTIC, ESD SAFE.  
 2) DIMENSIONS: INCH.

APPROVALS		DATE				
DRAWN	J. Hines	6/21/14				
ENG	M. Hart	6/21/14	TITLE WP2 - COVER			
MFG			LID FOR 2 - INCH WAFFLE PACK			
QA			SCALE	SIZE	DRAWING NO.	REV
CUST			1.5:1	A	120000	A
REVISED			DO NOT SCALE DRAWING			SHEET 1 OF 1