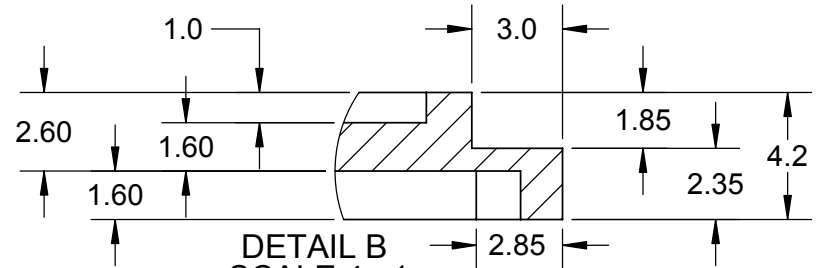
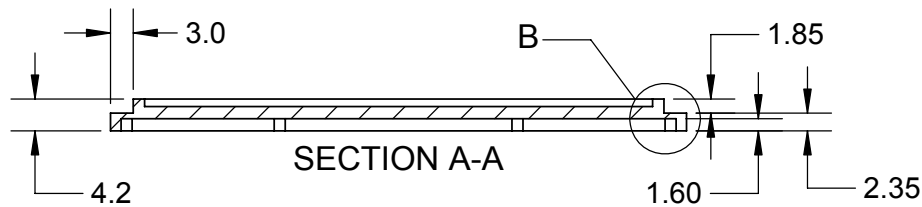
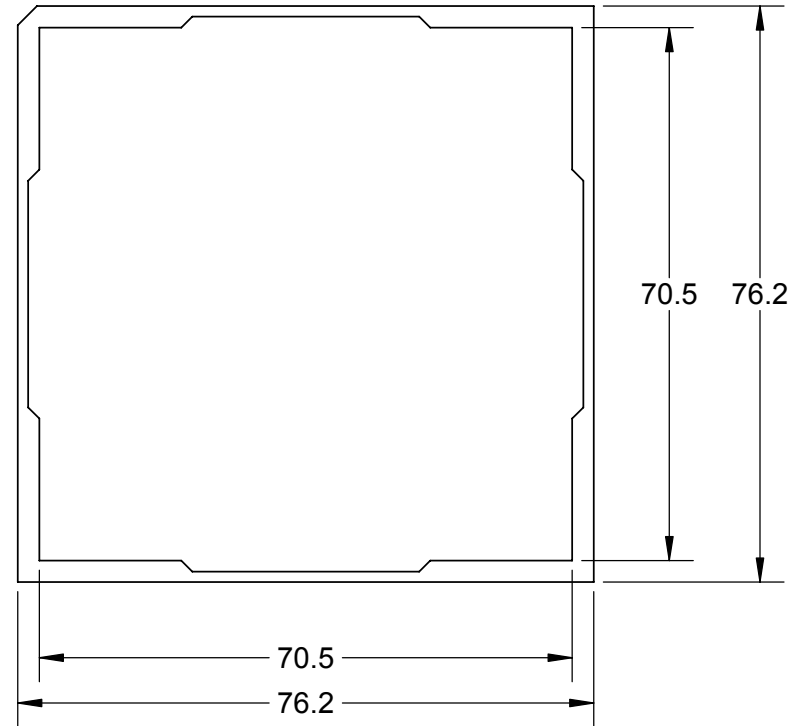
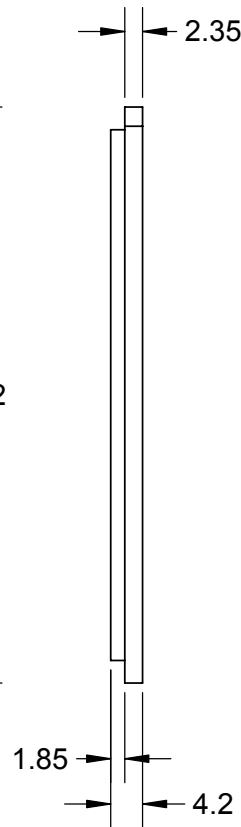
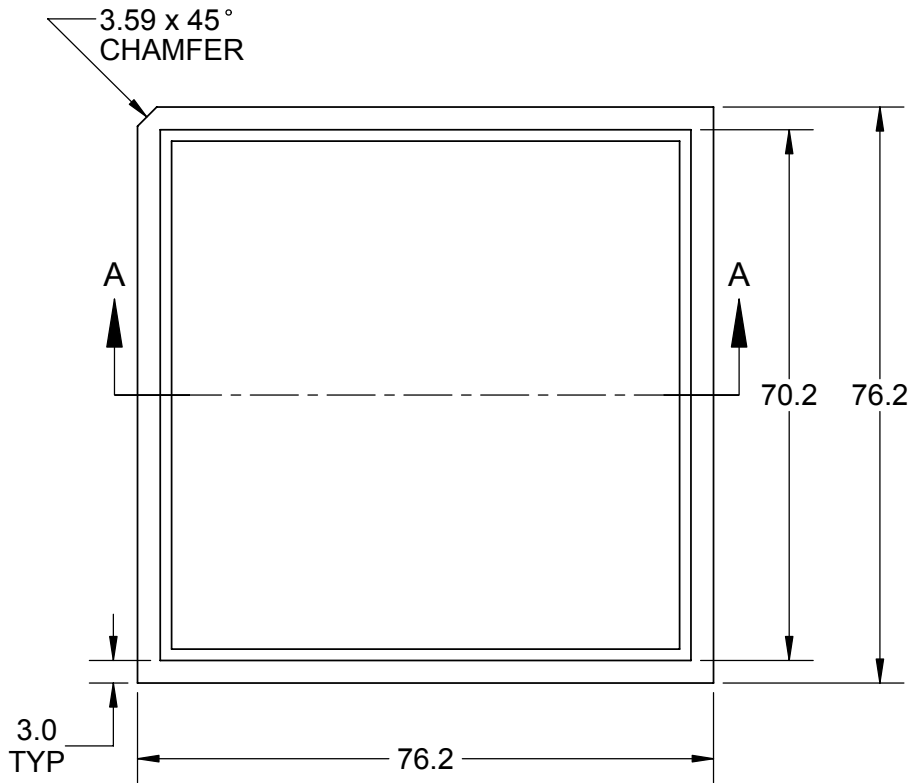


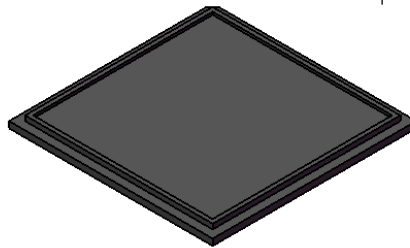
TOP

SIDE

BOTTOM



MATERIAL	COLOR	SURFACE RESISTIVITY
Conductive PC	BLACK	$10^6 \Omega$



MODEL

NOTES: (Unless Otherwise Specified)
 1) MATERIAL: PLASTIC, ESD SAFE.
 2) DIMENSIONS: MM [inch].

APPROVALS		DATE				
DRAWN	T. Au	11/18/2015				
ENG	M. Hart	11/18/2015	TITLE WP3-COVER-B 3-INCH PIN-PACK			
MFG						
QA			SCALE	SIZE	DRAWING NO.	REV
CUST			1:1	A	143000	A
REVISED			DO NOT SCALE DRAWING			SHEET 1 OF 1