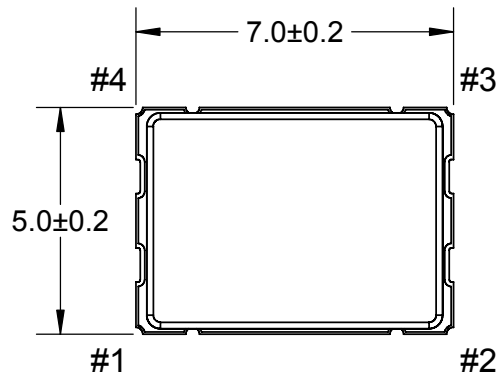
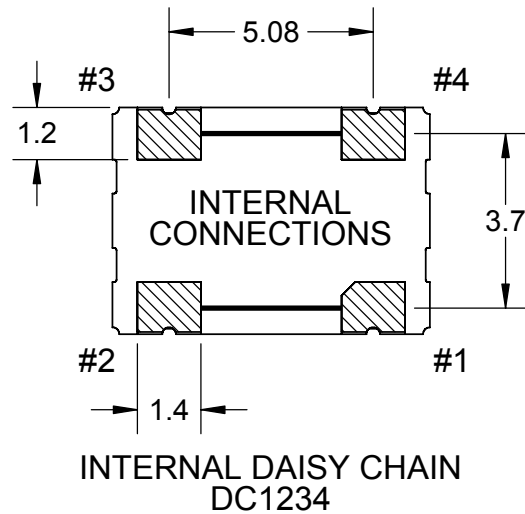


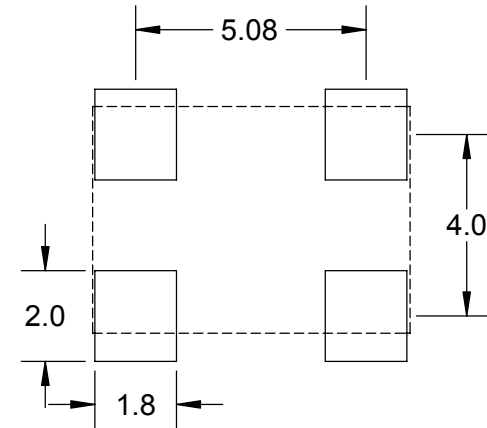
TOP VIEW



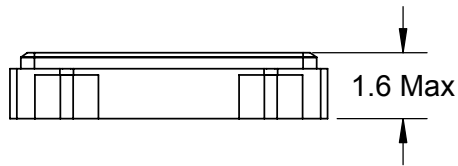
BOTTOM VIEW



PCB LAYOUT

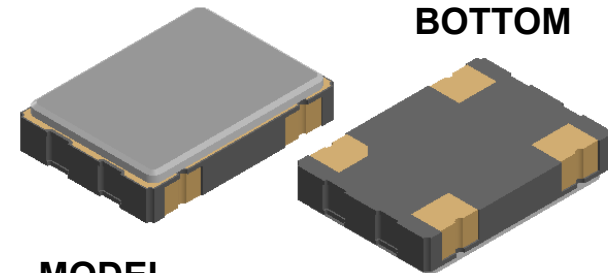


SIDE VIEW



TOP

BOTTOM




MODEL

| PART NUMBER | DAISY CHAIN CONNECTION |
|---------------------|-------------------------|
| LCC4-7.0x5.0-DC1234 | PIN 1-2, PIN 3-4 |
| LCC4-7.0x5.0 | DUMMY PACKAGE UNDEFINED |

NOTES: (Unless Otherwise Specified)

1. DIMENSION IN mm.

2. DAISY CHAIN CONNECTION INSIDE PACKAGE.

| APPROVALS | DATE |  | | | |
|-------------|-----------|---|--------|--------------------|--------------|
| DRAWN T. Au | 7/12/2015 | | | | |
| ENG M. Hart | 7/12/2015 | TITLE LCC4-7.0x5.0 DAISY CHAIN | | | |
| MFG | | SCALE 6:1 | SIZE A | DRAWING NO. 127050 | REV A |
| QA | | DO NOT SCALE DRAWING | | | SHEET 1 OF 1 |
| CUST | | | | | |
| REVISED | | | | | |