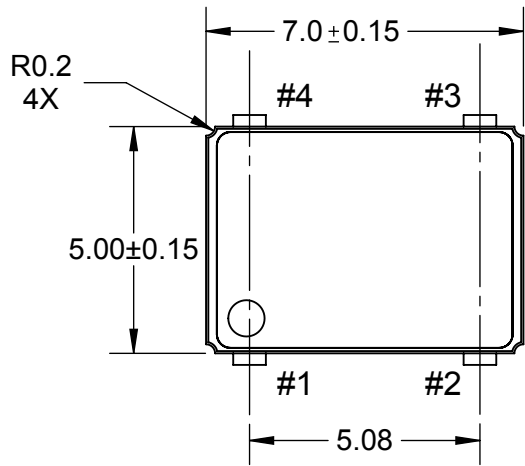
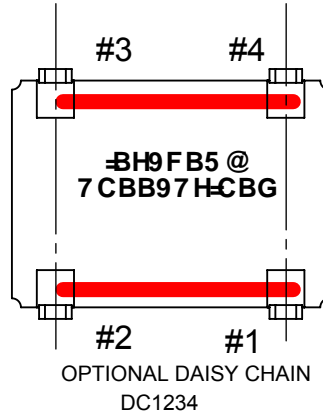


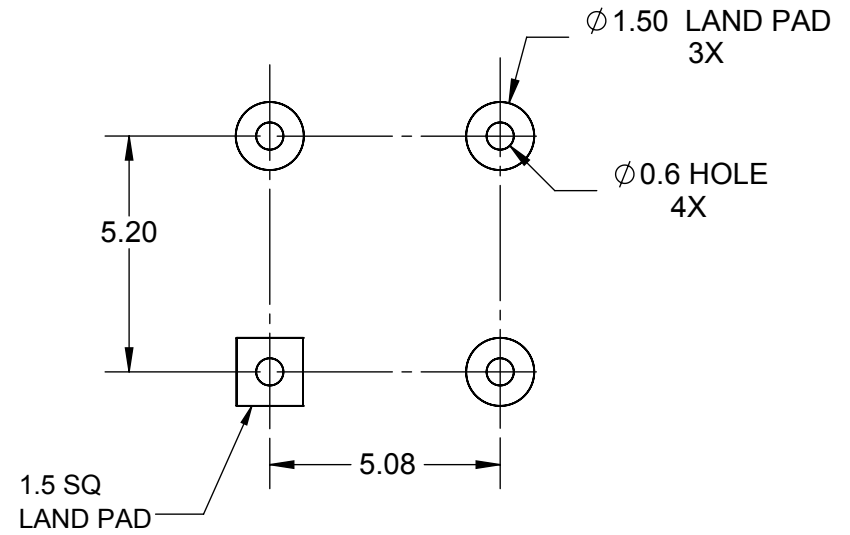
HCD J9K



6 CHCA J9K



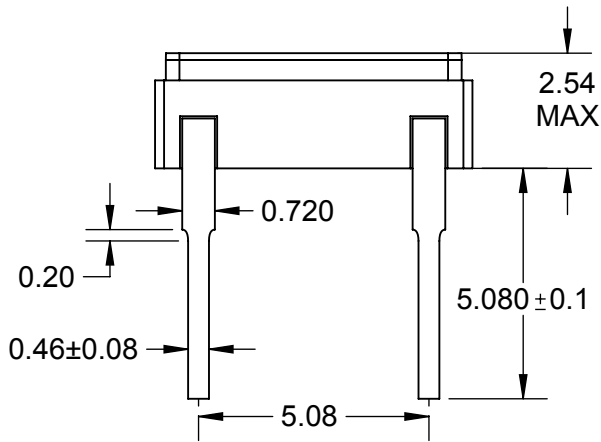
D76 @ MCI H



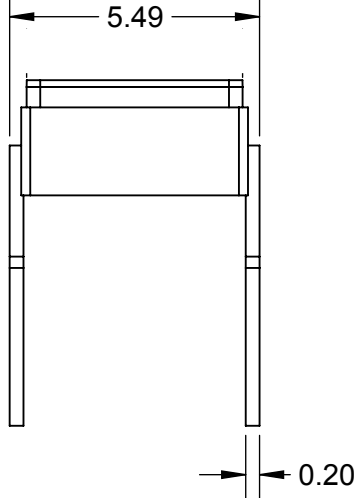
85 GM7 < 5 B B9H @ GH

FROM	TO
1	2
3	4

G89 J9K

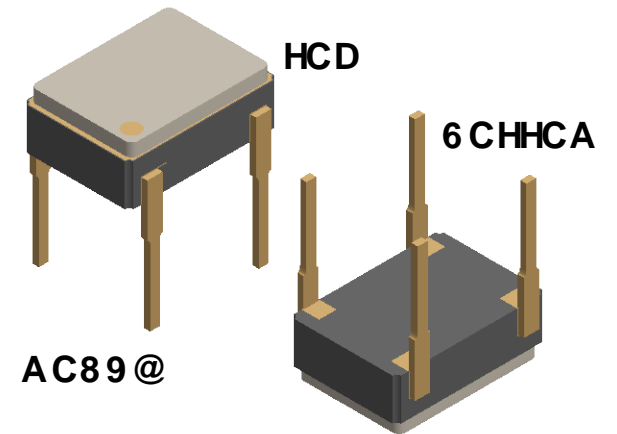


G89 J9K



D5 FHBI A69F H56 @

D5 FHBI A69F	85 GM7 < 5 B	D @ HB;	8 F5 K B;
LCC4-7x5-DC1234-DIL	YES	GOLD	147500
LCC4-7x5-DC1234-DIL-SC	YES	SnPb	147501
LCC4-7x5-DIL	NO	GOLD	147502
LCC4-7x5-DIL-SC	NO	SnPb	147503



AC89 @

NOTES: (Unless Otherwise Specified)
 1. DIMENSION IN mm.
 2. DAISY CHAIN: SEENET LIST.

APPROVALS	DATE	TopLine®			
DRAWN T.Au	8/13/2019	TITLE LCC4-7.0x5.0 DUAL IN-LINE			
ENG M. Hart	8/13/2019				
MFG		SCALE 6:1	SIZE A	DRAWING NO. 147500	REV A
QA		DO NOT SCALE DRAWING			SHEET 1 OF 1
CUST					
REVISED					