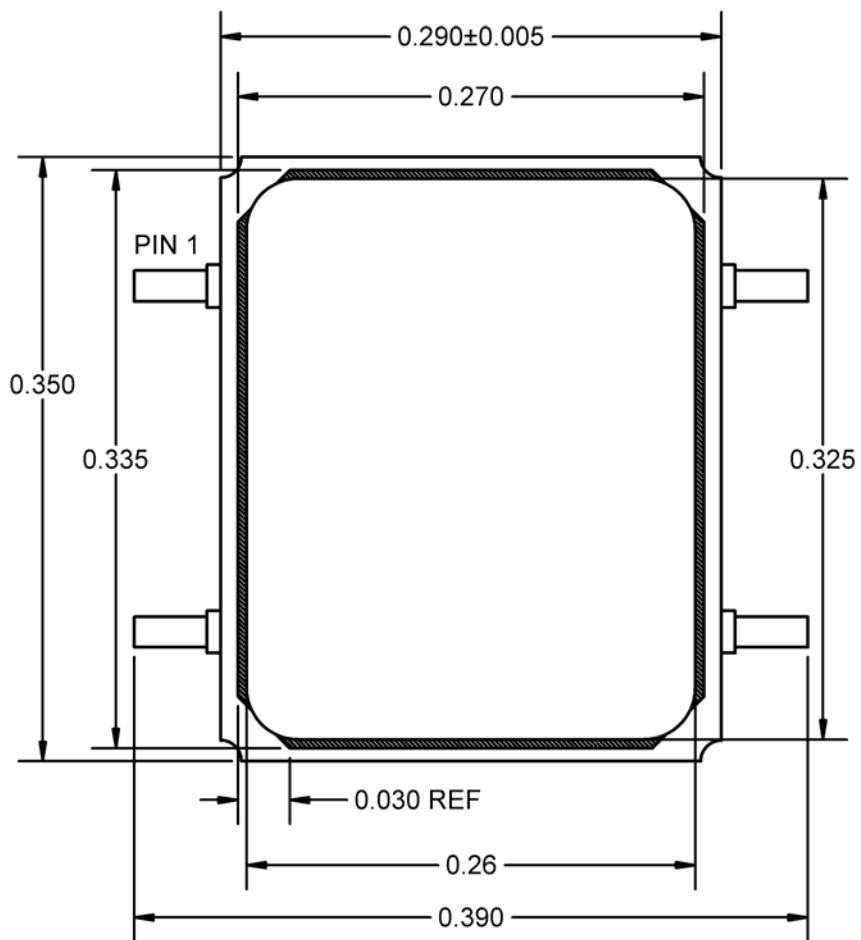
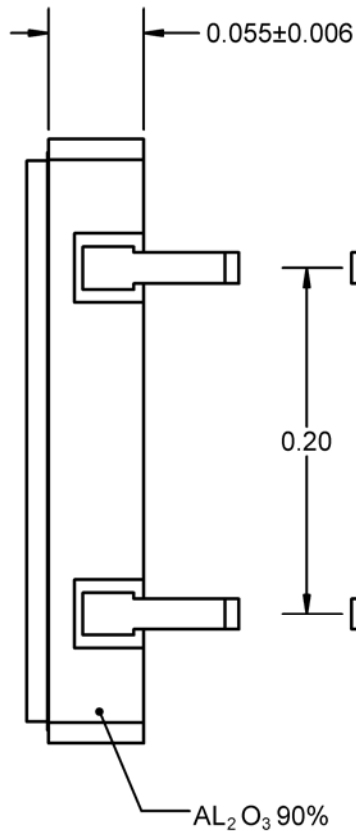


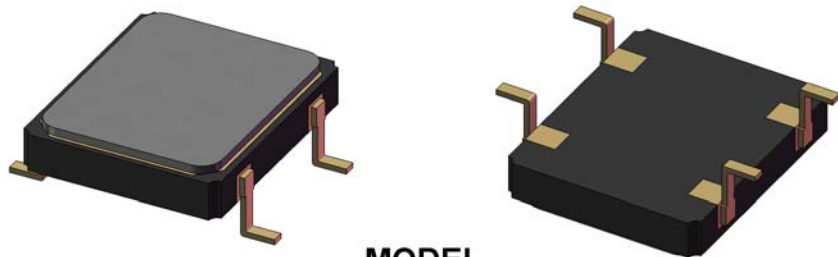
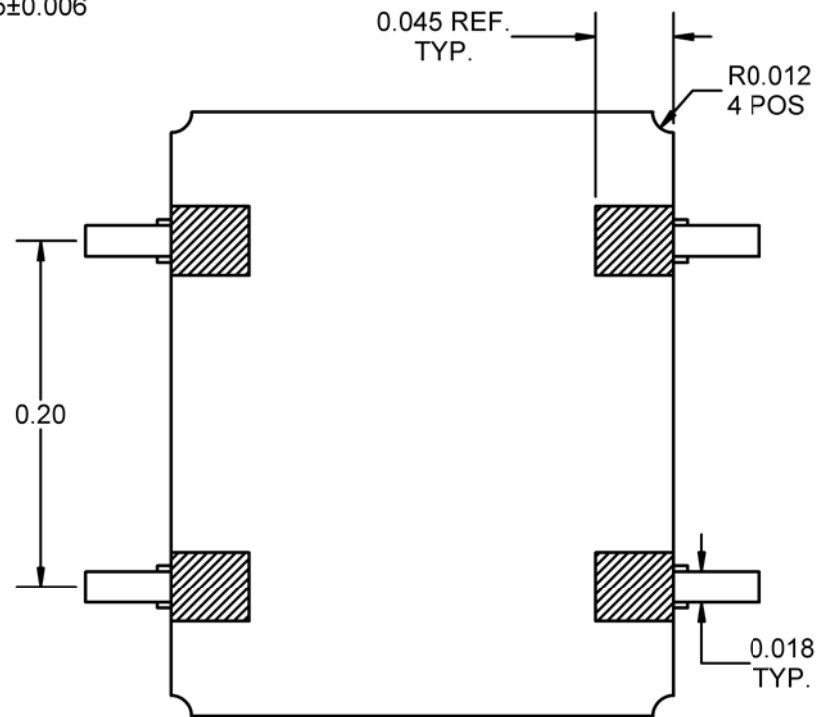
TOP VIEW



SIDE VIEW



BOTTOM VIEW



MODEL

NOTES: (Unless Otherwise Specified).

1) PLATING:

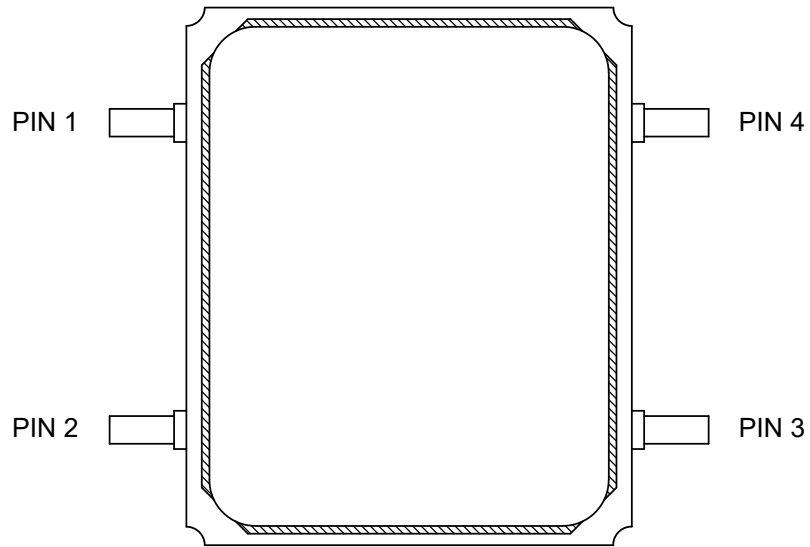
Ni 80 MICRO-INCH (2.0µm) MIN.

Au 60 MICRO-INCH (1.5µM) MIN.

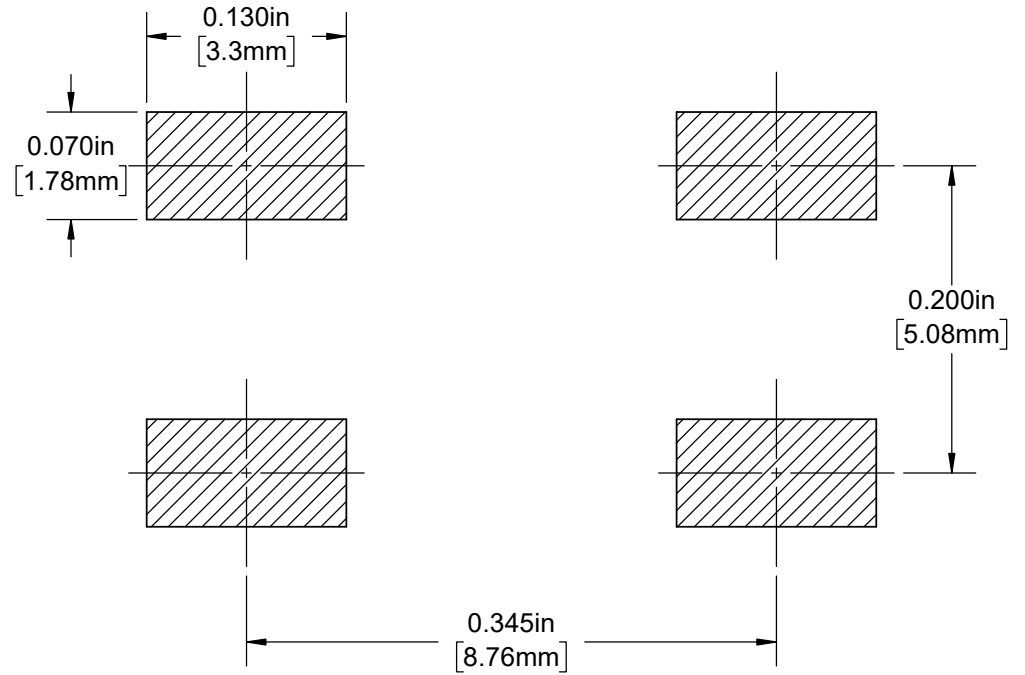
2) DIMENSIONS in INCH (UNLESS SPECIFIED).

APPROVALS	DATE	TopLine®			
DRAWN T. Au	5/16/2018				
ENG M. Hart	5/16/2018	TITLE LCC4B50R.29x.35-GULL CRYSTAL OSCILLATOR			
MFG		SCALE	SIZE	DRAWING NO.	REV
QA		9:1	A	182799	A
CUST		DO NOT SCALE DRAWING			SHEET 1 OF 3
REVISED					

TOP VIEW



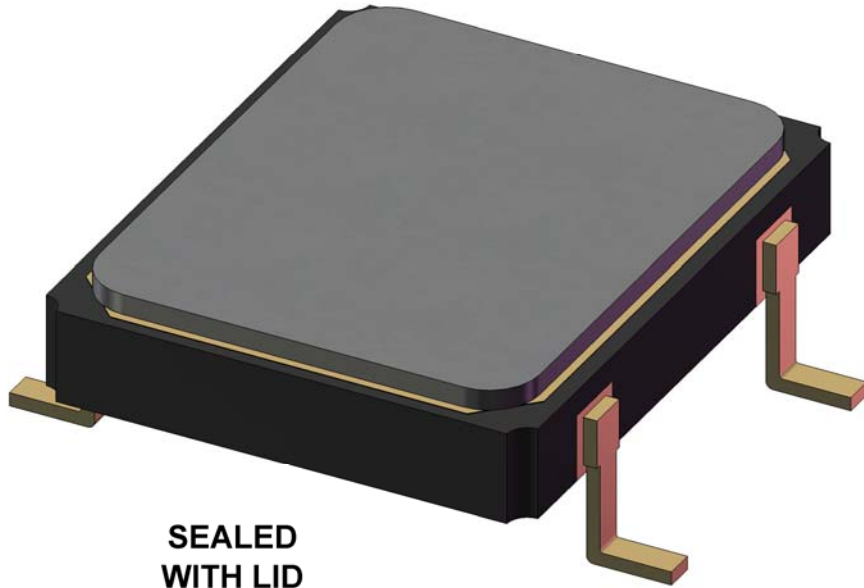
TYPICAL PCB LAYOUT



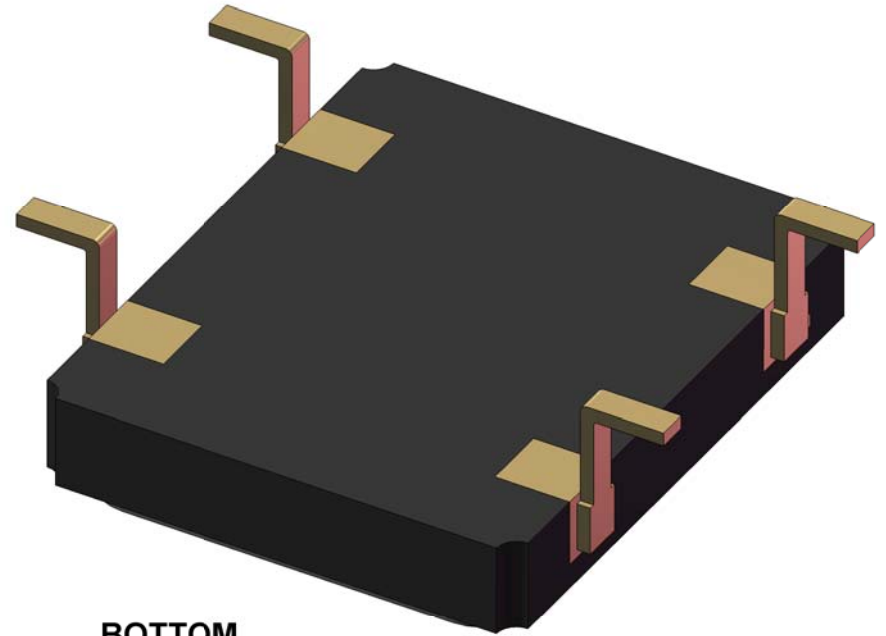
LEAD #	FUNCTION
1	E/D (Optional)
2	GND/CASE
3	OUTPUT
4	VDD

TopLine®			
TITLE LCC4B50R.29x.35-GULL CRYSTAL OSCILLATOR			
SCALE 8:1	SIZE A	DRAWING NO. 182799	REV A
DO NOT SCALE DRAWING			SHEET 2 OF 3

MODELS



SEALED
WITH LID



BOTTOM

TopLine[®]

TITLE LCC4B50R.29x.35-GULL
CRYSTAL OSCILLATOR

SCALE	SIZE	DRAWING NO.	REV
10:1	A	182799	A

DO NOT SCALE DRAWING

SHEET 3 OF 3