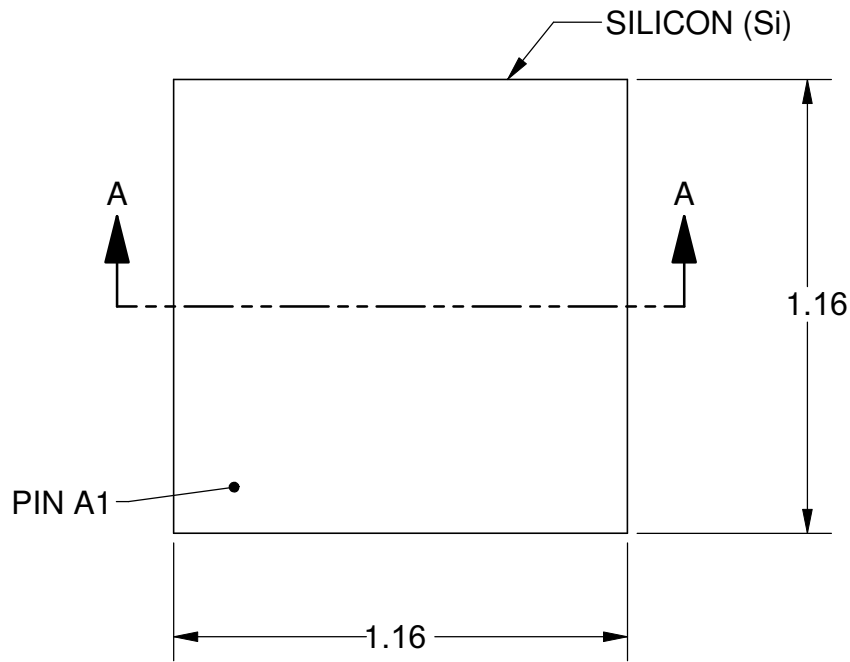
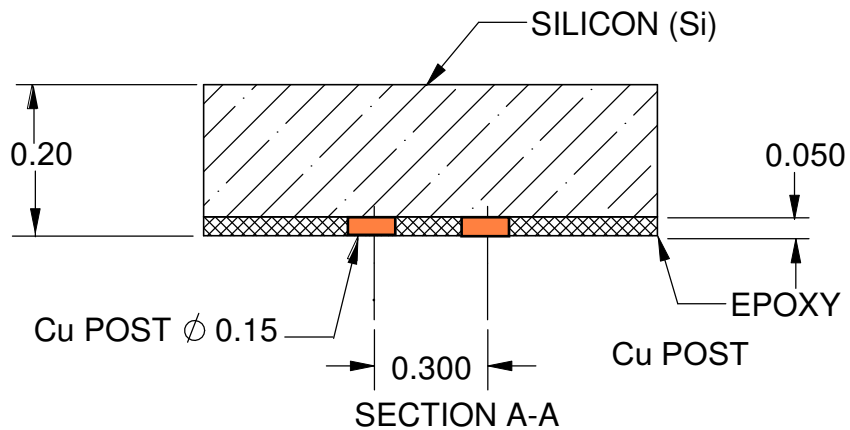
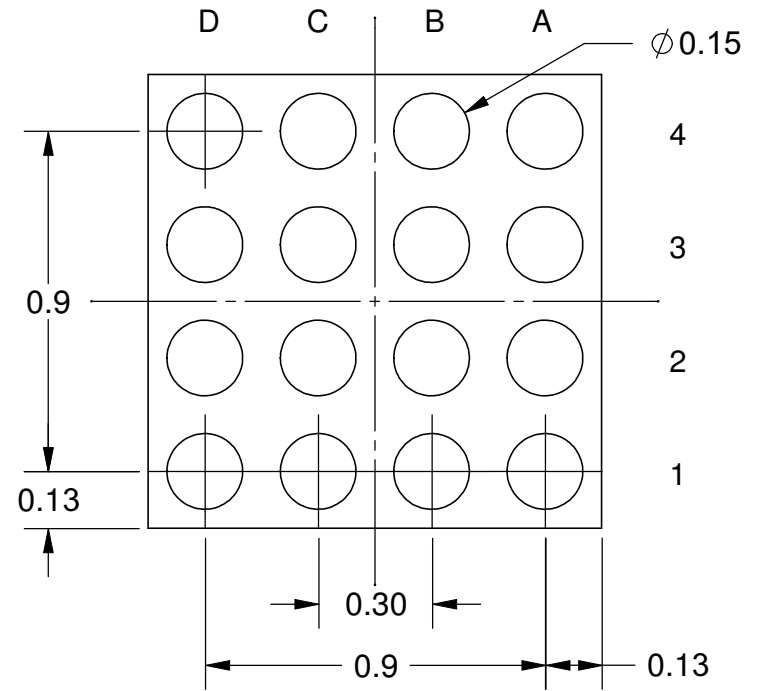



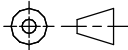
TOP VIEW



PAD VIEW

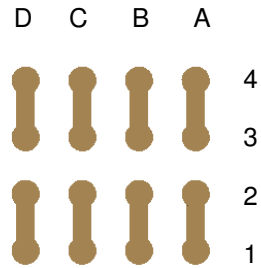


- Notes: (Unless Otherwise Specified).
 1) ALL DIMENSIONS ARE IN MM.
 2) PAD ALLOY: Cu Post (50um Thick)
 3) PAD Cu DIAMETER: 0.15mm.
 4) DIE MATERIAL: Si (SILICON).
 5) DAISY CHAIN PATTERN (SEE PAGE 2).

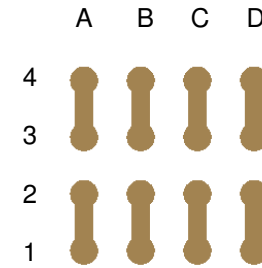
TOLERANCE UNLESS NOTED		APPROVALS	DATE				
X.X	+/- 0.3	DRAWN J. Hines	12/28/2010				
X.XX	+/- 0.03			eWLP16T.3-DC048D			
X.XXX	+/- 0.003	ENG		16-L P=0.3mm (TEG0306)			
ANGLES	+/- 0.5°	MFG		SCALE	SIZE	DRAWING NO.	REV
ALL DIMENSIONS IN		QA		50:1	A	630480	A
INCHES <input type="checkbox"/> MILLIMETERS <input checked="" type="checkbox"/>		CUST		DO NOT SCALE DRAWING			
THIRD ANGLE PROJECTION		REVISED		SHEET 1 OF 2			
							

DAISY CHAIN PATTERN

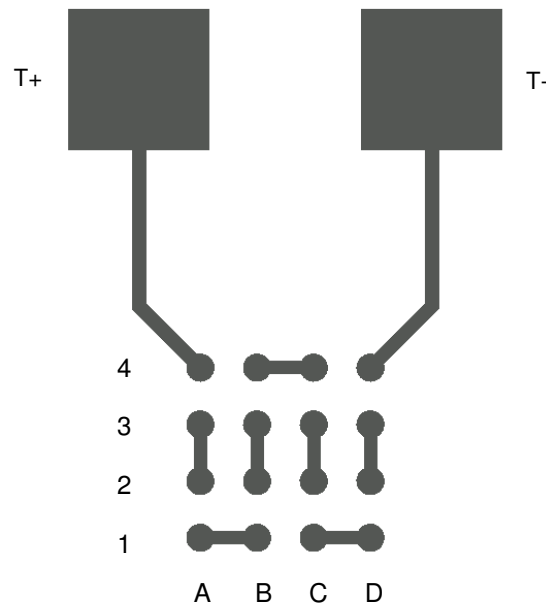
PAD VIEW



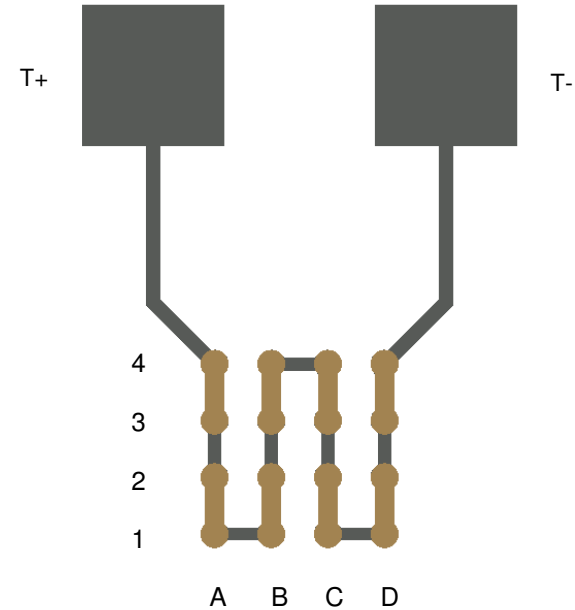
BOTTOM SIDE
(TOP X-RAY VIEW)



TOP VIEW



AFTER MOUNTING
TO TEST BOARD
(TOP X-RAY VIEW)



TEST VEHICLE BOARD

Notes:

- 1) PCB BOARD DIMENSIONS ARE PRESENTED ONLY AS A GUIDELINE. DESIGNERS SHOULD USE THEIR OWN EXPERIENCE WHEN DESIGNING PCB.

TopLine ®			
TITLE eWLP16T.3-DC048D 16-L P=0.3mm (TEG0306)			
SCALE 25:1	SIZE A	DRAWING NO. 630480	REV A
DO NOT SCALE DRAWING		SHEET 2 OF 2	