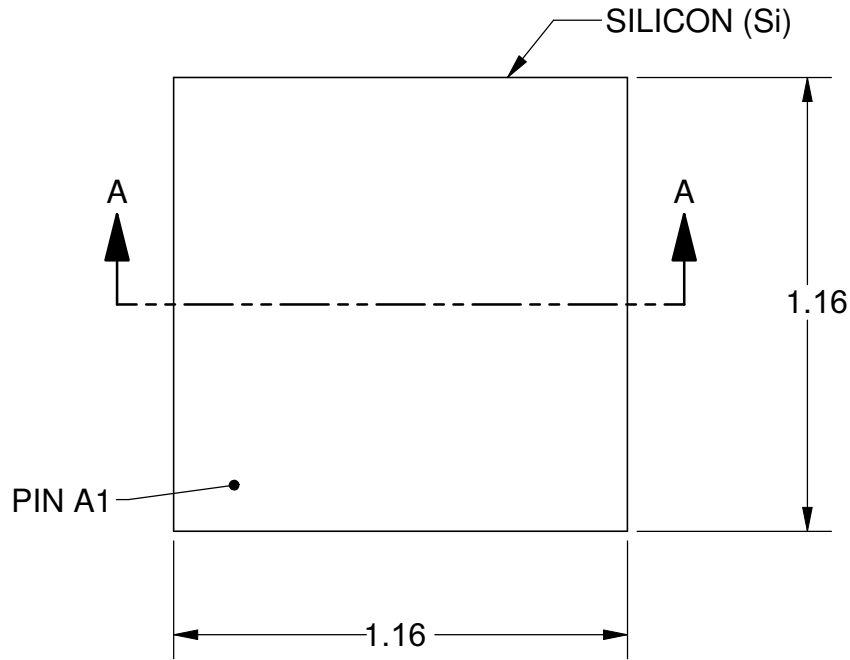
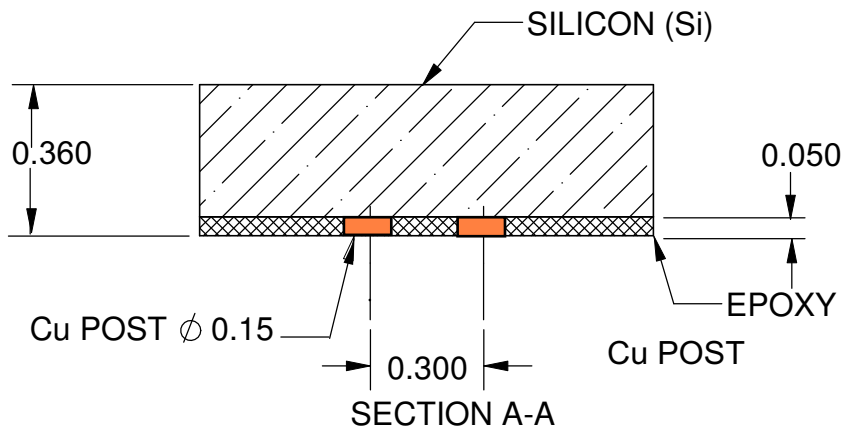
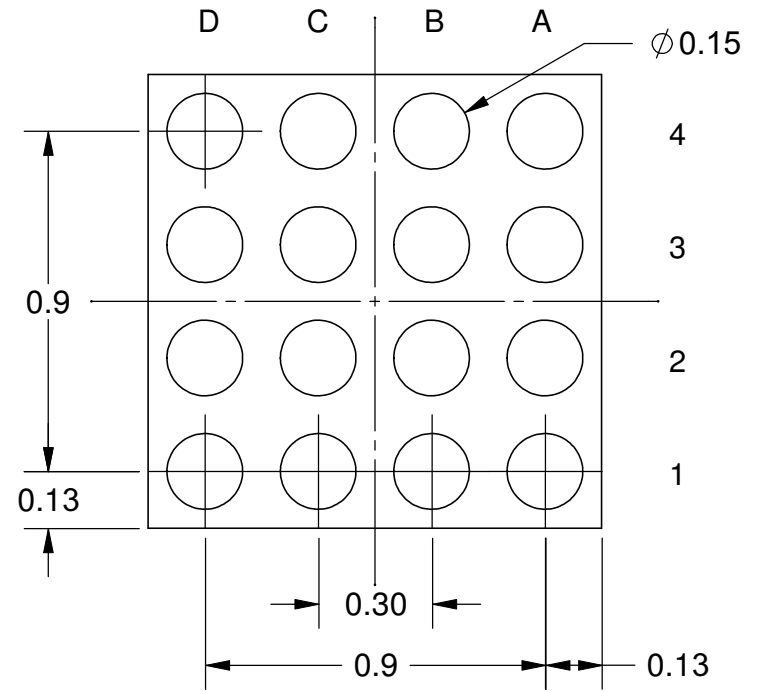


TOP VIEW




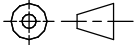
PAD VIEW



Notes: (Unless Otherwise Specified).

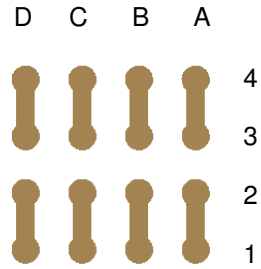
- 1) ALL DIMENSIONS ARE IN MM.
- 2) PAD ALLOY: Cu 50um Thick

- 3) PAD Cu DIAMETER: 0.15mm.
- 4) DIE MATERIAL: Si (SILICON).
- 5) DAISY CHAIN PATTERN (SEE PAGE 2).

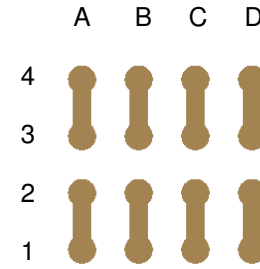
TOLERANCE UNLESS NOTED		APPROVALS	DATE				
X.X	+/- 0.3	DRAWN J. Hines	12/28/2010				
X.XX	+/- 0.03						
X.XXX	+/- 0.003						
ANGLES	+/- 0.5°	ENG		SCALE 50:1			
ALL DIMENSIONS IN		MFG					
<input type="checkbox"/> INCHES	<input checked="" type="checkbox"/> MILLIMETERS	QA		DO NOT SCALE DRAWING			
THIRD ANGLE PROJECTION		CUST					
		REVISED					

# DAISY CHAIN PATTERN

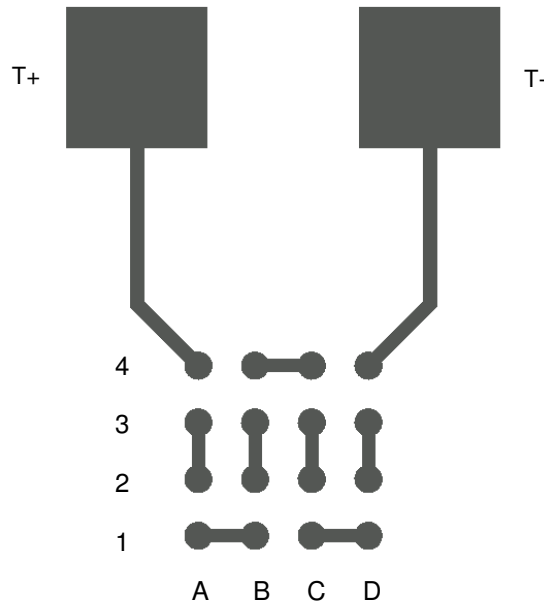
PAD VIEW



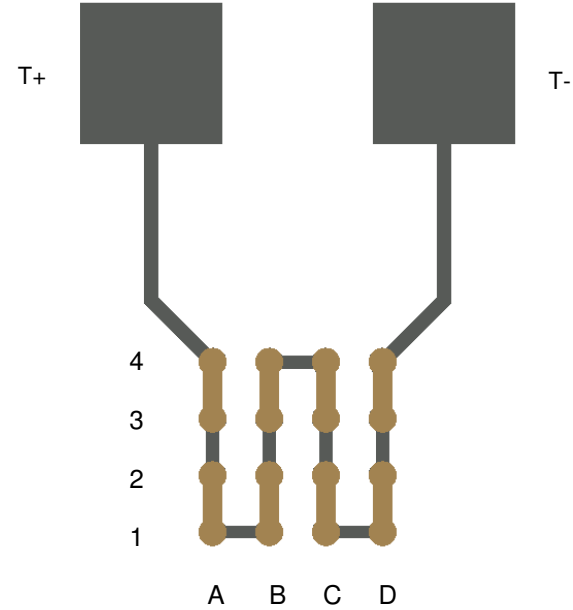
BOTTOM SIDE  
(TOP X-RAY VIEW)



TOP VIEW



AFTER MOUNTING  
TO TEST BOARD  
(TOP X-RAY VIEW)



TEST VEHICLE BOARD

Notes:

- 1) PCB BOARD DIMENSIONS ARE PRESENTED ONLY AS A GUIDELINE. DESIGNERS SHOULD USE THEIR OWN EXPERIENCE WHEN DESIGNING PCB.

<b>TopLine</b> ®			
TITLE eWLP16T.3-DC048D3 16-L P=0.3mm (TEG0306)			
SCALE 25:1	SIZE A	DRAWING NO. 730480	REV A
DO NOT SCALE DRAWING		SHEET 2 OF 2	