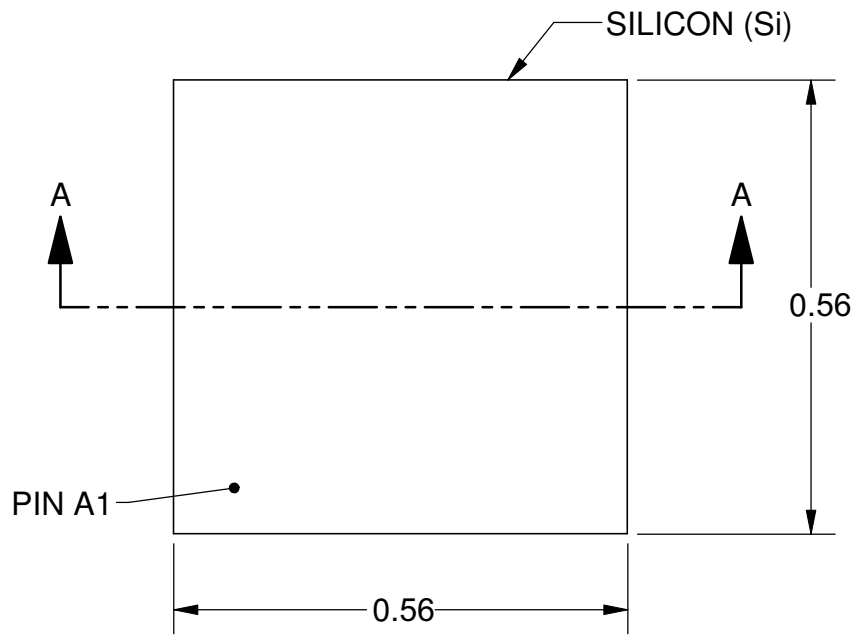
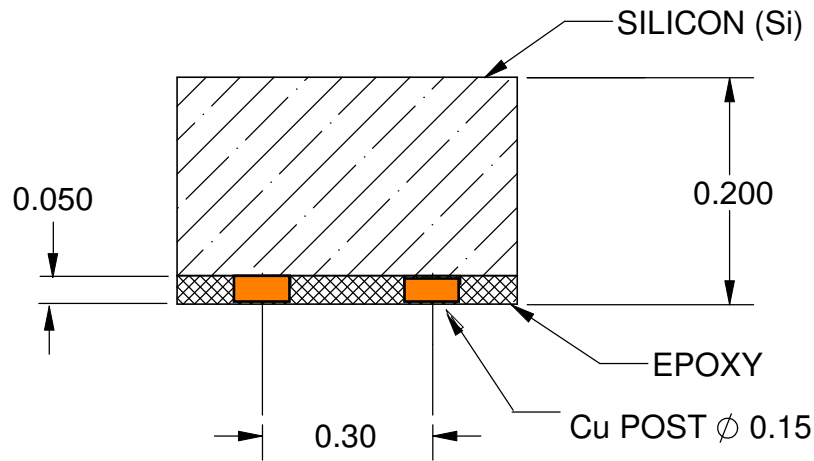
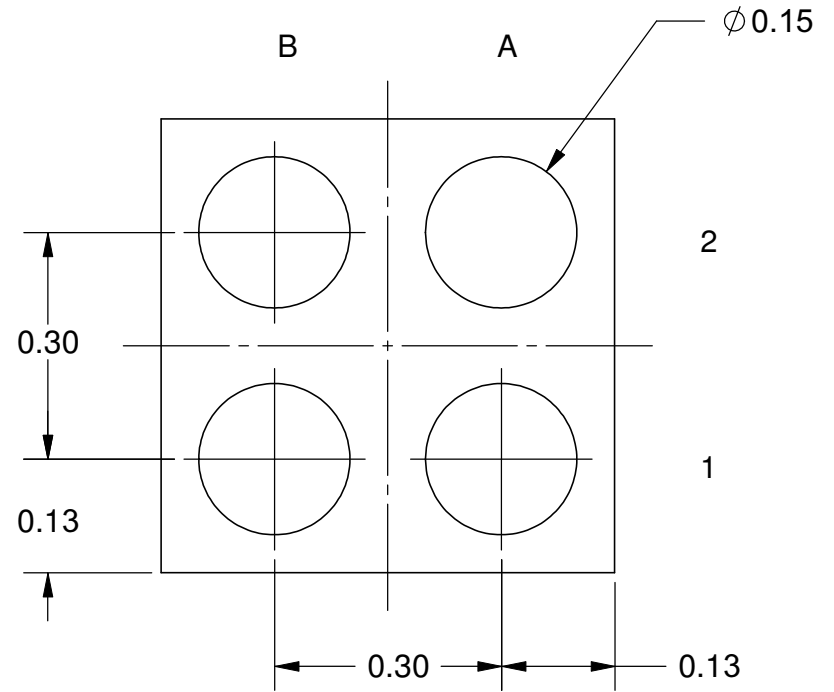


TOP VIEW



PAD VIEW


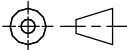


SECTION A-A
SCALE 75 : 1

Notes: (Unless Otherwise Specified).

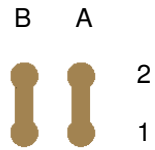
- 1) ALL DIMENSIONS ARE IN MM.
- 2) PAD ALLOY: Cu (50um Thick)

- 3) PAD Cu DIAMETER: 0.15mm.
- 4) DIE MATERIAL: Si (SILICON).
- 5) DAISY CHAIN PATTERN (SEE PAGE 2).

TOLERANCE UNLESS NOTED		APPROVALS	DATE				
X.X	+/- 0.3	DRAWN J. Hines	1/15/2011				
X.XX	+/- 0.03						
X.XXX	+/- 0.003						
ANGLES	+/- 0.5°	ENG		SCALE 100:1			
ALL DIMENSIONS IN		MFG					
<input type="checkbox"/> INCHES <input checked="" type="checkbox"/> MILLIMETERS		QA					
THIRD ANGLE PROJECTION		CUST		A	630220	A	
		REVISED		DO NOT SCALE DRAWING		SHEET 1 OF 2	

DAISY CHAIN PATTERN

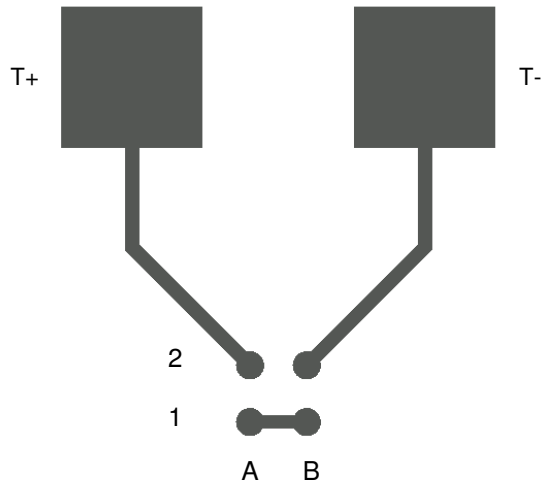
PAD VIEW



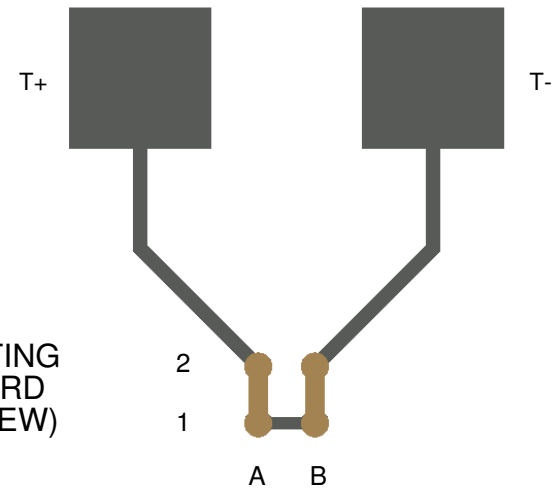
BOTTOM SIDE
(TOP X-RAY VIEW)



TOP VIEW



AFTER MOUNTING
TO TEST BOARD
(TOP X-RAY VIEW)



TEST VEHICLE BOARD

Notes:

- 1) PCB BOARD DIMENSIONS ARE PRESENTED ONLY AS A GUIDELINE. DESIGNERS SHOULD USE THEIR OWN EXPERIENCE WHEN DESIGNING PCB.

TopLine [®]			
TITLE eWLP4T.3-DC022D2 4-L P=0.3mm (TEG0306)			
SCALE 25:1	SIZE A	DRAWING NO. 630220	REV A
DO NOT SCALE DRAWING		SHEET 2 OF 2	