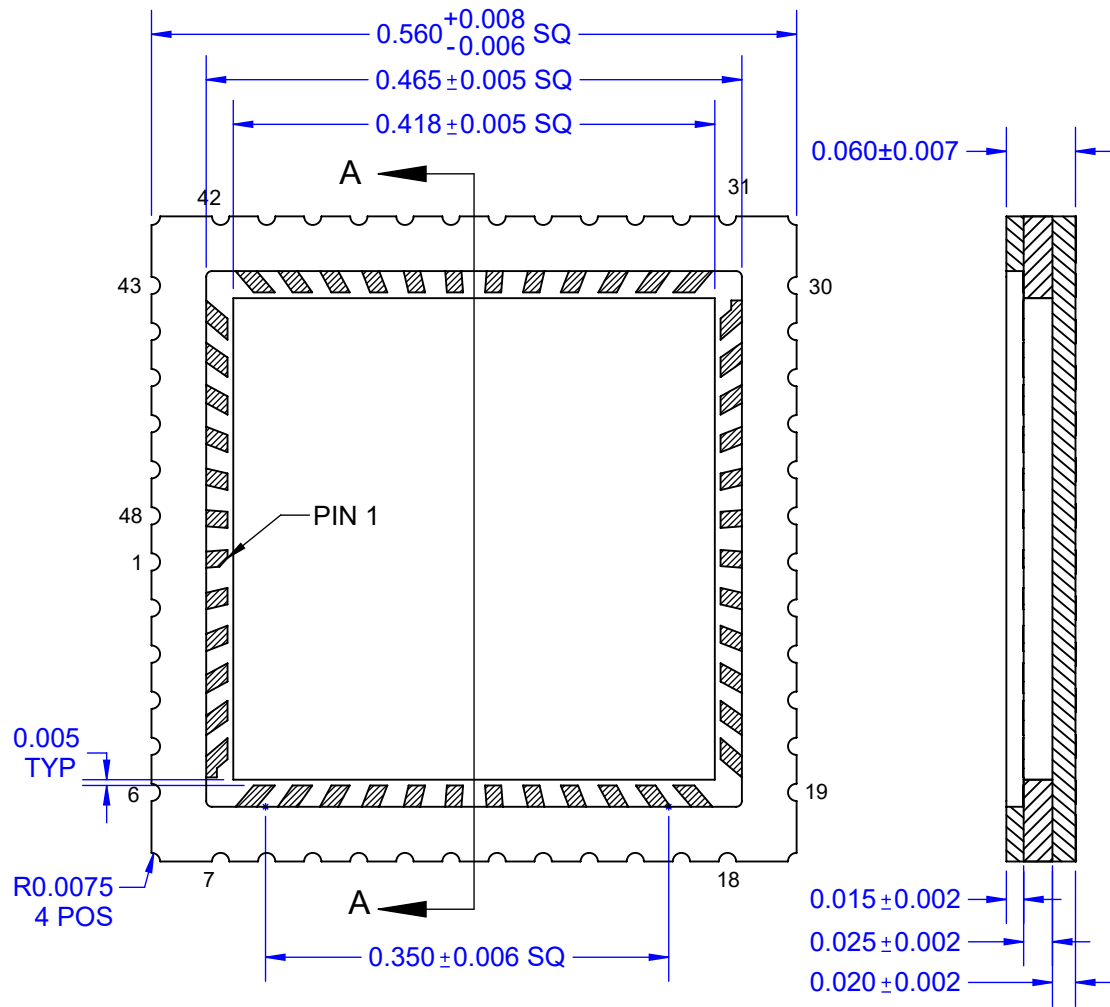
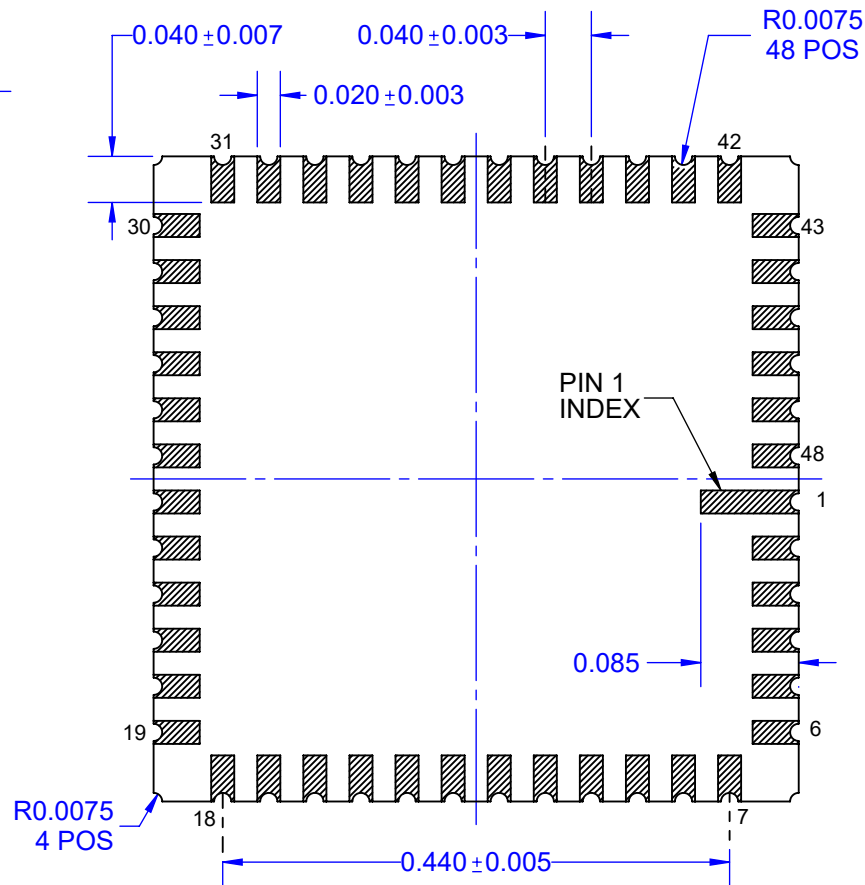


HCD J9K

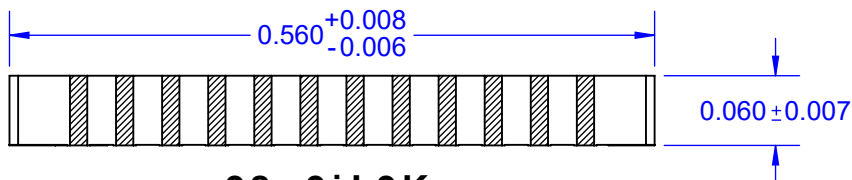


G89 J9K



6 CHCA J9K

98; 9 J9K



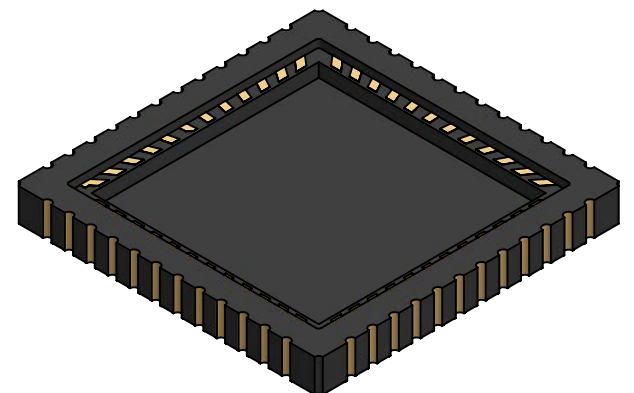
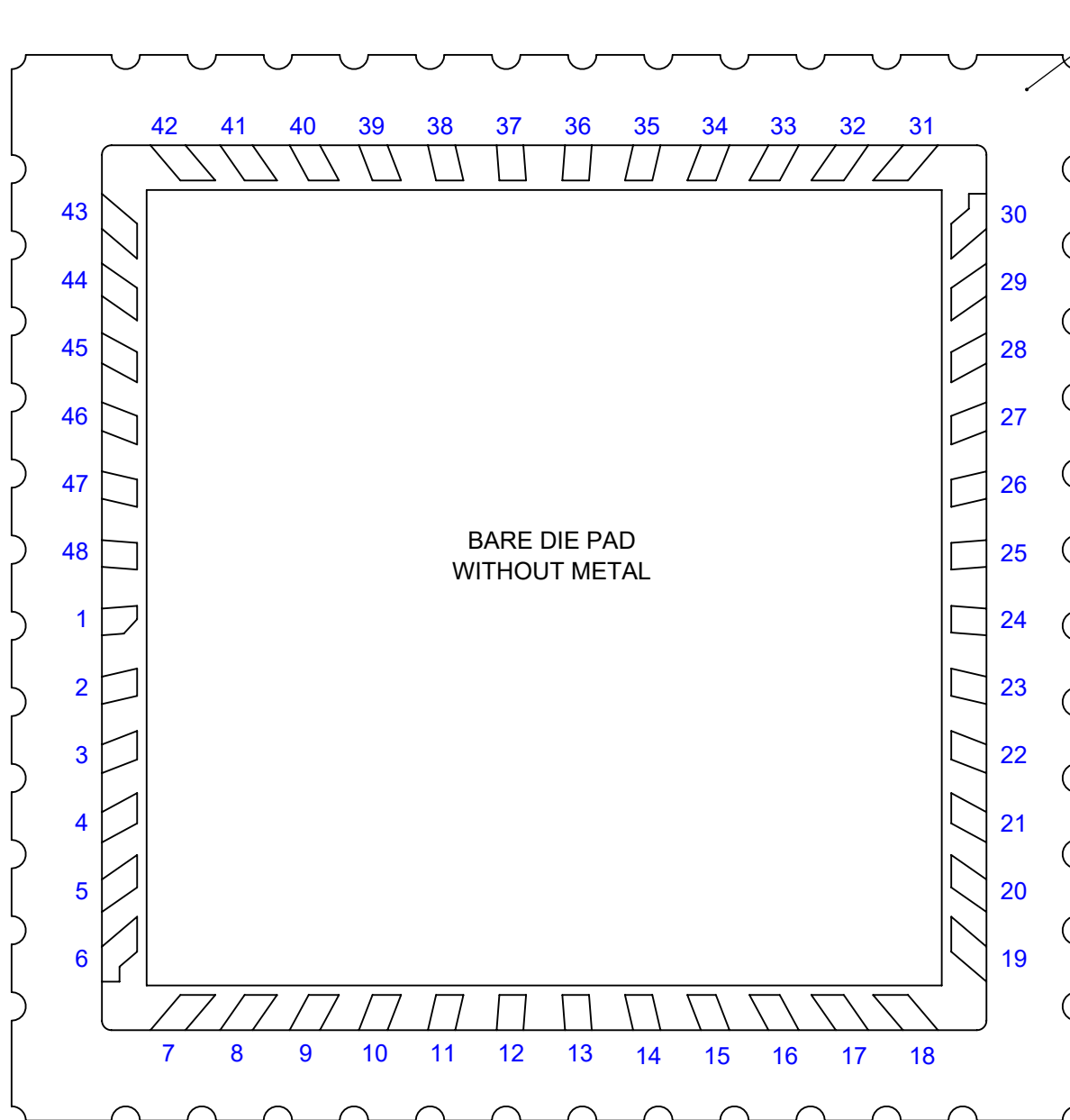
Notes: (Unless Otherwise Specified).

- 1) PLATING:
Ni 80 MICRO-INCH (2.0µm) MIN.
Au 60 MICRO-INCH (1.5µm) MIN.
- 2) DIMENSIONS in INCH (UNLESS SPECIFIED).
- 3) NON-METAL SEAL RING.
- 4) BARE DIE PAD WITHOUT METAL.

D5 FHBI A69F	7 CJ9F	D@HB;	8-9 D58	G95 @
LCC48B40SQ.56-N418	OPEN	NiAu	BARE	BARE

APPROVALS	DATE	TopLine®			
DRAWN T.Au	3/14/2021				
ENG M. Hart	3/14/2021	TITLE LCC48B40SQ.56-N418 NON-GOLD DIE PAD			
MFG		SCALE 5:1	SIZE A	DRAWING NO. 174801	REV A
QA		DO NOT SCALE DRAWING		SHEET 1 OF 3	
CUST					
REVISED					

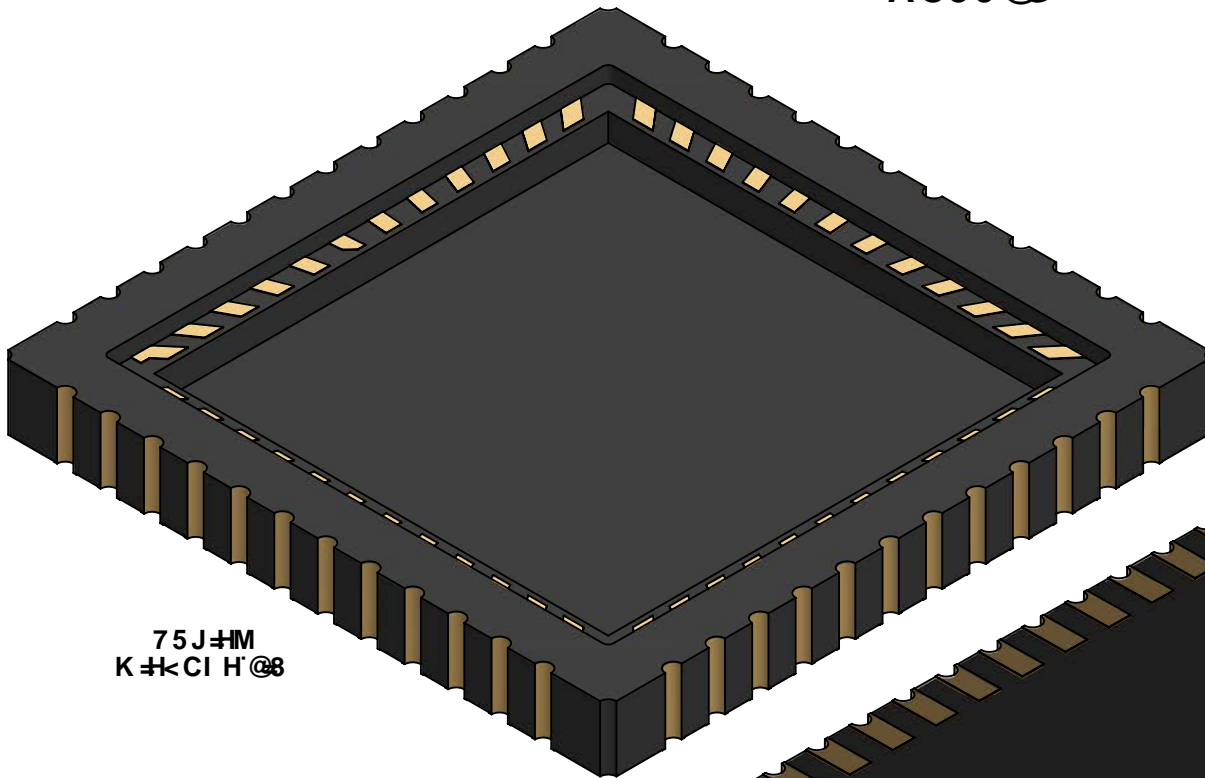
6 CB8 D5 8 G



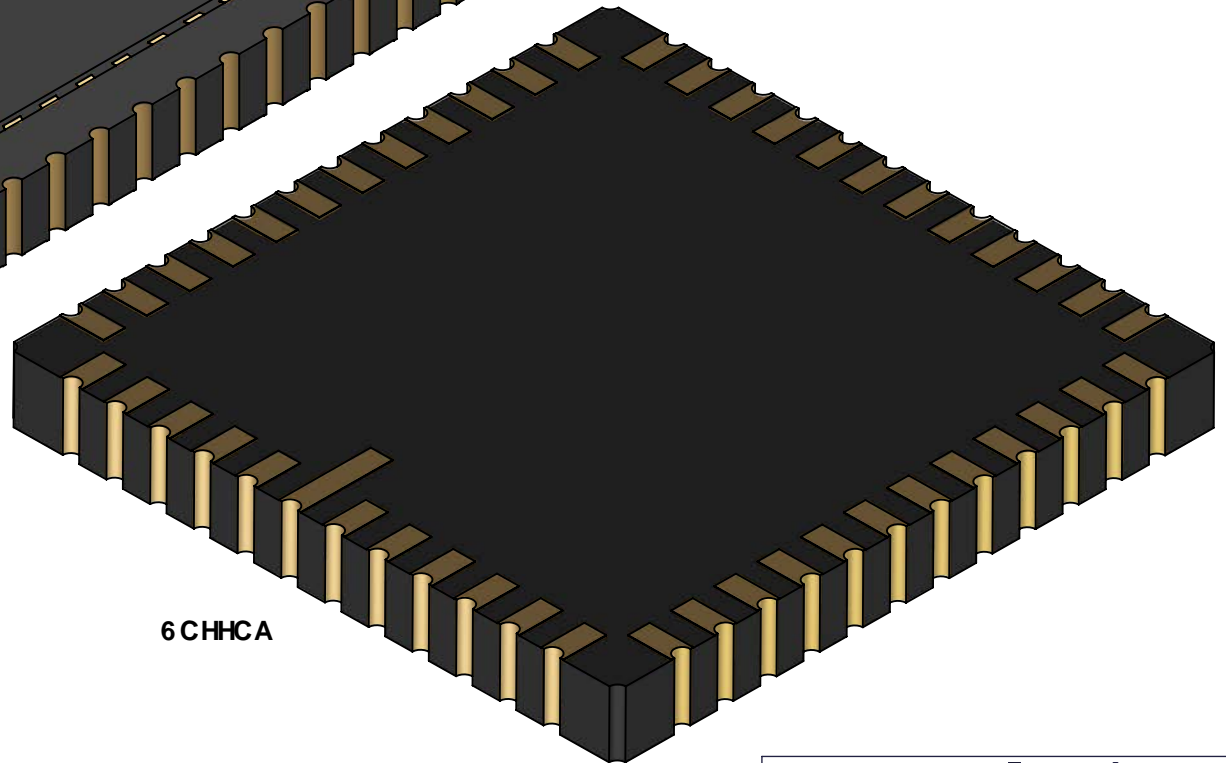
K H < C I H
@8

TopLine®			
TITLE LCC48B40SQ.56-N418 NON-GOLD DIE PAD			
SCALE 10:1	SIZE A	DRAWING NO. 174801	REV A
DO NOT SCALE DRAWING		SHEET 2 OF 3	

AC89@G



75JHM
K#KCIH@8



6CHCA

TopLine[®]

TITLE LCC48B40SQ.56-N418
NON-GOLD DIE PAD

SCALE 4:1	SIZE A	DRAWING NO. 174801	REV A
--------------	-----------	-----------------------	----------

DO NOT SCALE DRAWING

SHEET 3 OF 3