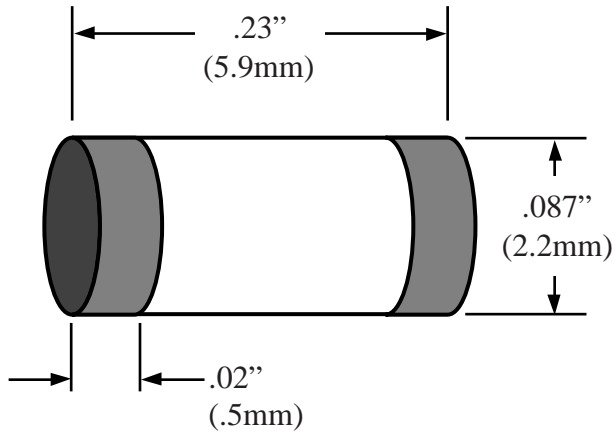
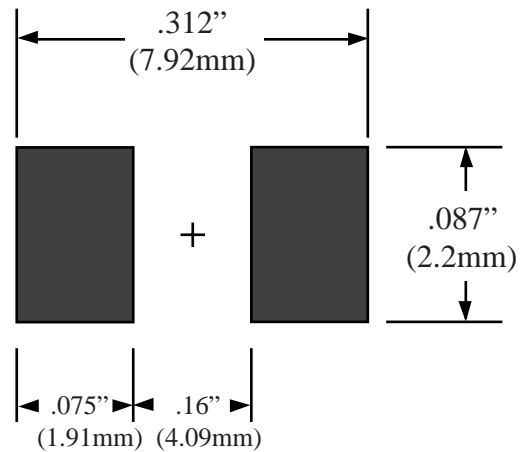


Part # **SRM2308**
MELF Resistor
 Body Size **2308**
 Dwg SRM2308.pdf

TopLine™
 Tel 1-714-898-3830
 info@topline.to

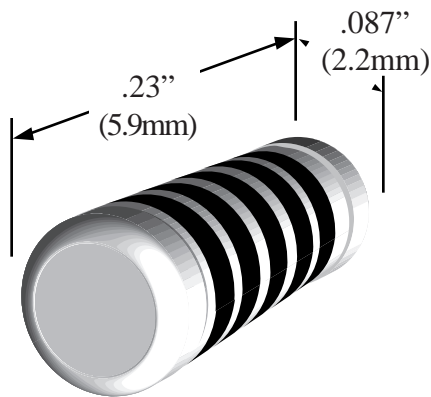


Top View

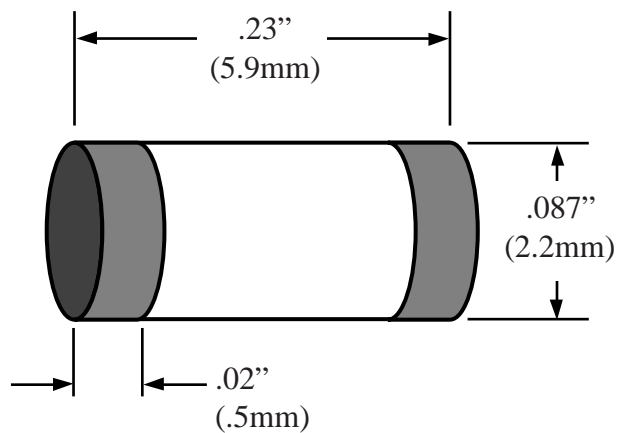


PC Board

Tolerance $\pm .0084''$ ($\pm 0.2\text{mm}$)



Quick View



Side View Detail