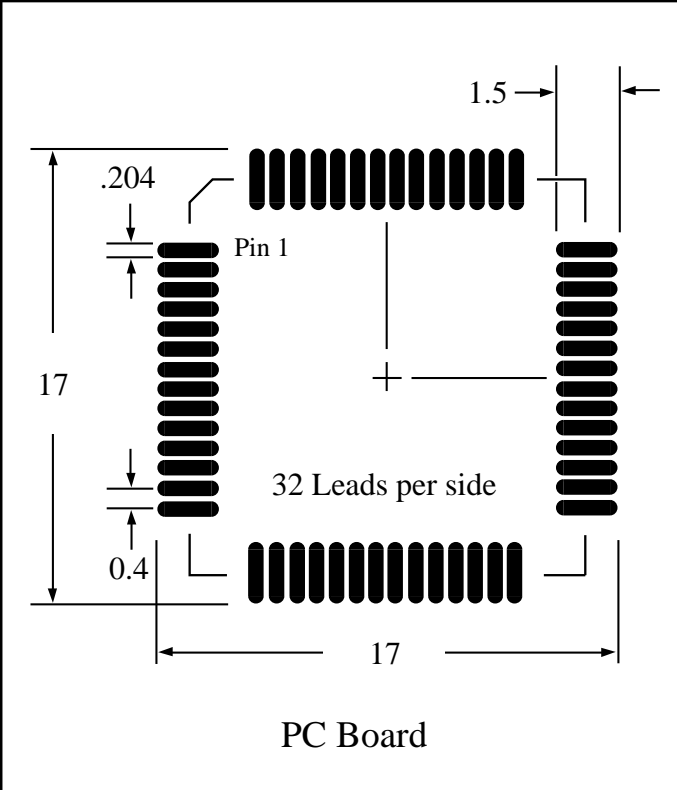
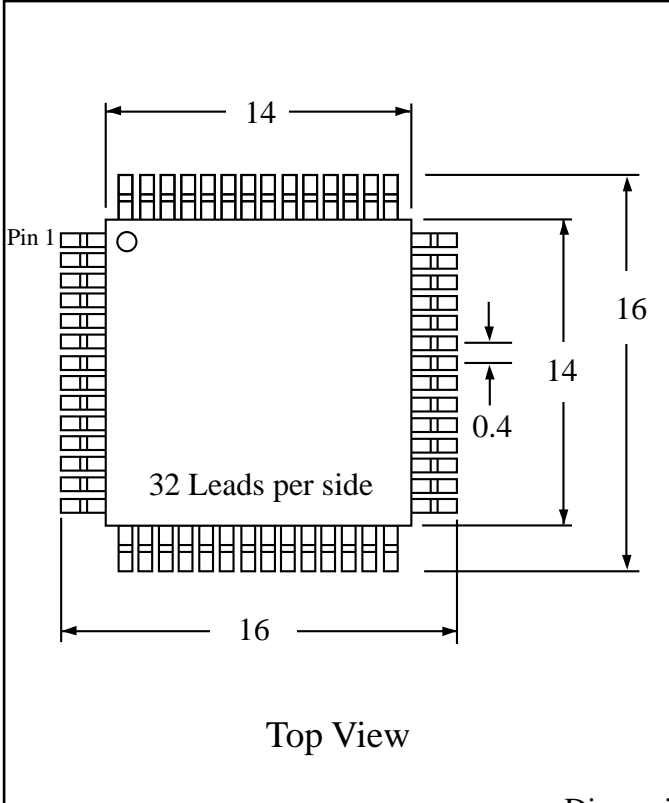


Part # **LQFP128T15.7**
 Leads **128** Pitch **0.4mm**
 Body Size **14mm SQ**

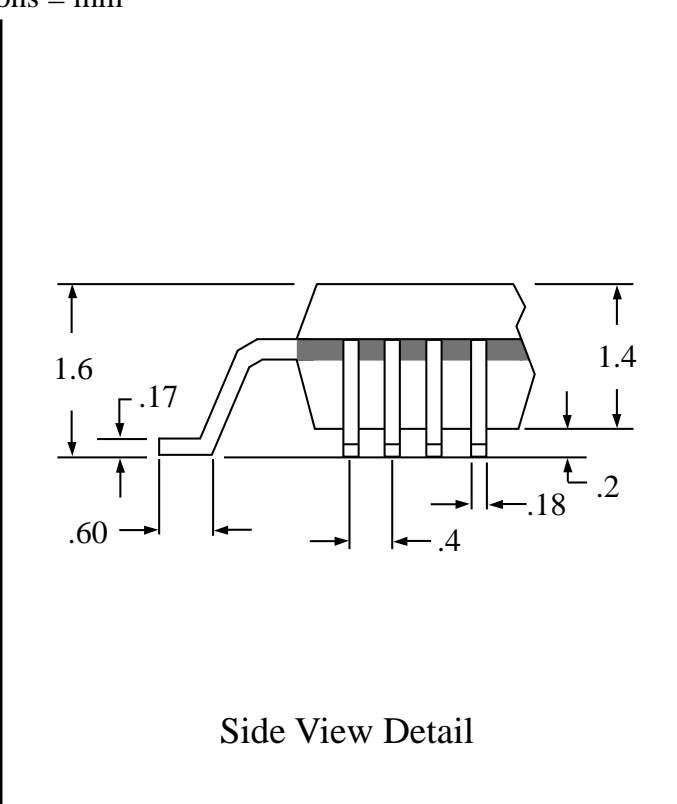
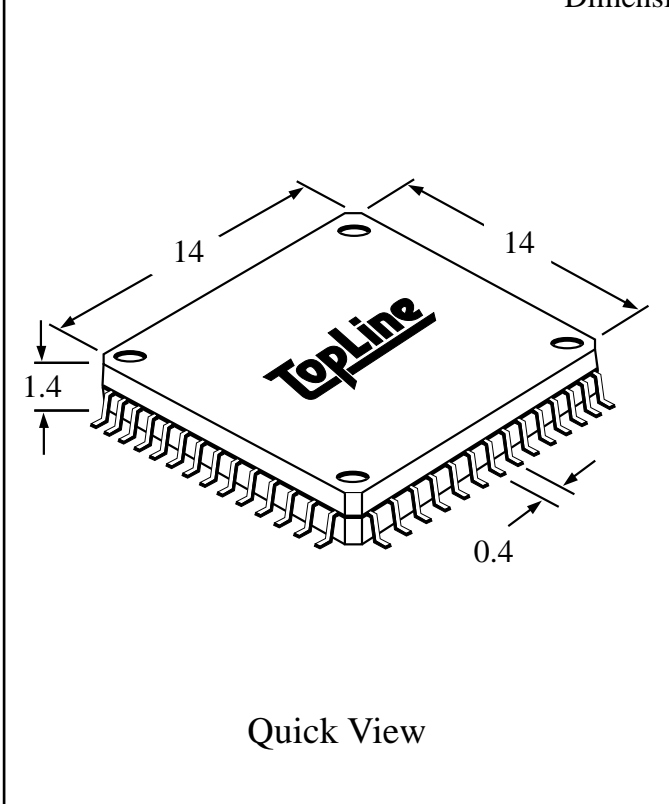
Available RoHS Pb-Free

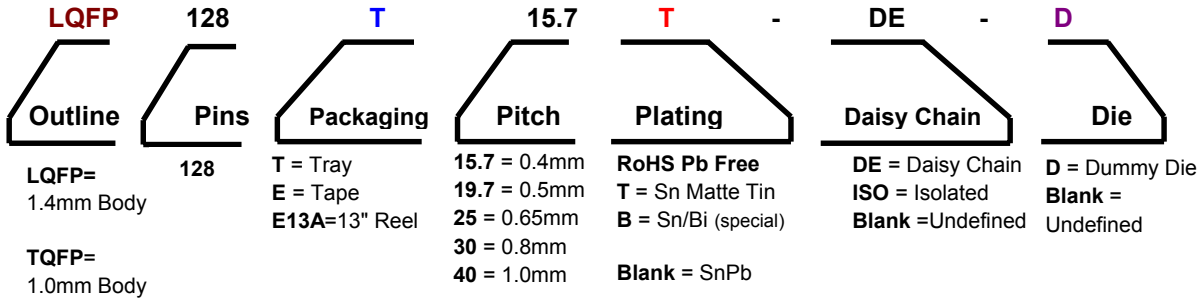


Tel 1-800-776-9888
 info@topline.tv



Dimensions = mm





Ordering Steps:

- Step 1: Select outline body thickness TQFP (1.0mm) or LQFP (1.4mm).
- Step 2: Choose packaging. Tray is standard. Tape and Reel is available.
- Step 3: Select plating requirements. RoHS Pb-Free or SnPb
- Step 4: Select options according to your application. See chart below.

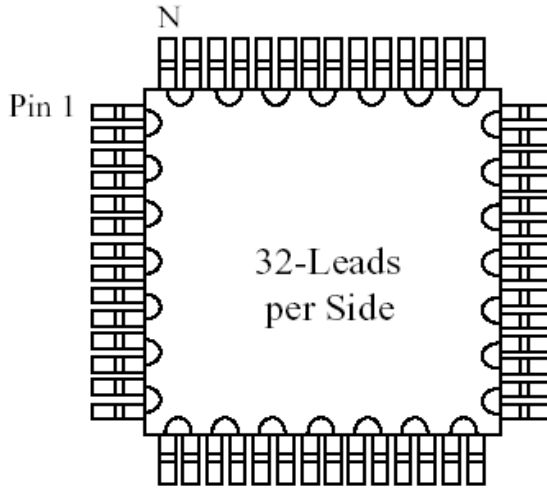
Part Number Packaged in Tray (Standard)	Options				Applications					
	Plating	Daisy Chain	Dummy Die	Isolated Pins	Mounting Practice	Rework Solder Practice	Reflow Temperature Profiling	Continuity Test	Life Cycle Test	S.I.R. Test
LQFP128T15.7	SnPb	No	No	No	x	x				
LQFP128T15.7T	Pb-Free	No	No	No	x	x				
LQFP128T15.7-DE-D	SnPb	Yes	Yes	No	x	x	x	x	x	
LQFP128T15.7T-DE-D	Pb-Free	Yes	Yes	No	x	x	x	x	x	
LQFP128T15.7-ISO	SnPb	No	No	Yes	x	x	x			x
LQFP128T15.7T-ISO	Pb-Free	No	No	Yes	x	x	x			x

Part Number Packaged in Tape and Reel	Options				Applications					
	Plating	Daisy Chain	Dummy Die	Isolated Pins	Mounting Practice	Rework Solder Practice	Reflow Temperature Profiling	Continuity Test	Life Cycle Test	S.I.R. Test
LQFP128E13A15.7	SnPb	No	No	No	x	x				
LQFP128E13A15.7T	Pb-Free	No	No	No	x	x				
LQFP128E13A15.7-DE-D	SnPb	Yes	Yes	No	x	x	x	x	x	
LQFP128E13A15.7T-DE-D	Pb-Free	Yes	Yes	No	x	x	x	x	x	
LQFP128E13A15.7-ISO	SnPb	No	No	Yes	x	x	x			x
LQFP128E13A15.7T-ISO	Pb-Free	No	No	Yes	x	x	x			x

Visit www.TopLine.tv or email info@TopLine.tv for applications assistance.

Daisy Chain TQFP128, LQFP128 and QFP128

Square Package



Not to Scale

Daisy Chain Net List TQFP, LQFP128 and QFP128

Net List	
From Pin	To Pin
1	2
3	4
5	6
7	8
9	10
11	12
13	14
15	16
17	18
19	20
21	22
23	24
25	26
27	28
29	30
31	32
33	34
35	36
37	38
39	40
41	42

Net List	
From Pin	To Pin
43	44
45	46
47	48
49	50
51	52
53	54
55	56
57	58
59	60
61	62
63	64
65	66
67	68
69	70
71	72
73	74
75	76
77	78
79	80
81	82
83	84

Net List	
From Pin	To Pin
85	86
87	88
89	90
91	92
93	94
95	96
97	98
99	100
101	102
103	104
105	106
107	108
109	110
111	112
113	114
115	116
117	118
119	120
121	122
123	124
125	126
127	128

Visit www.TopLine.tv or email info@TopLine.tv for applications assistance.