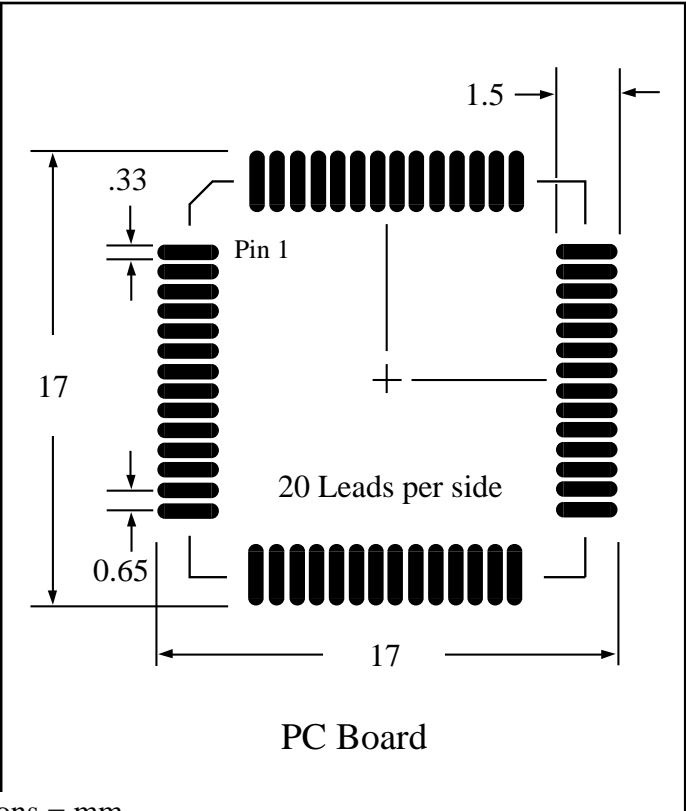
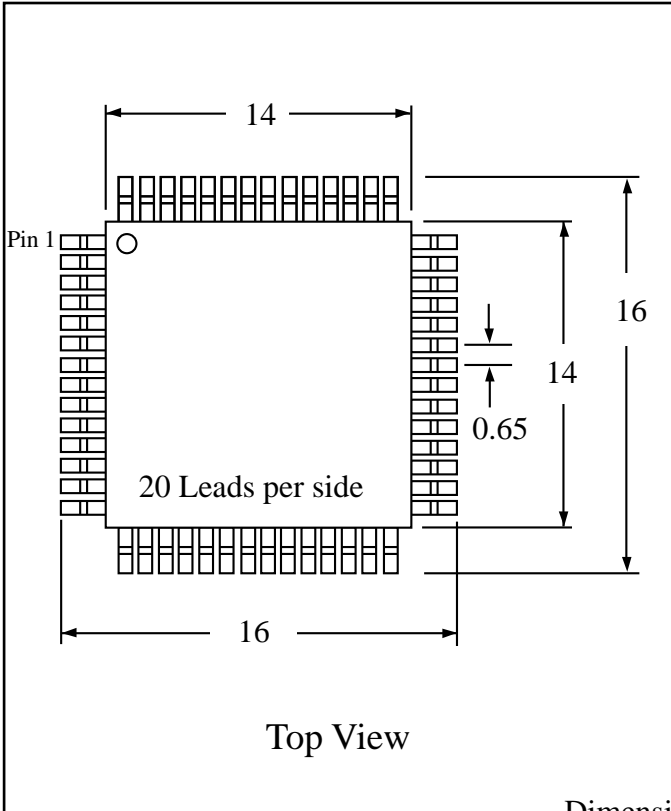


Part # **LQFP80T25**
Leads **80** Pitch **0.65mm**
Body Size **14mm SQ**

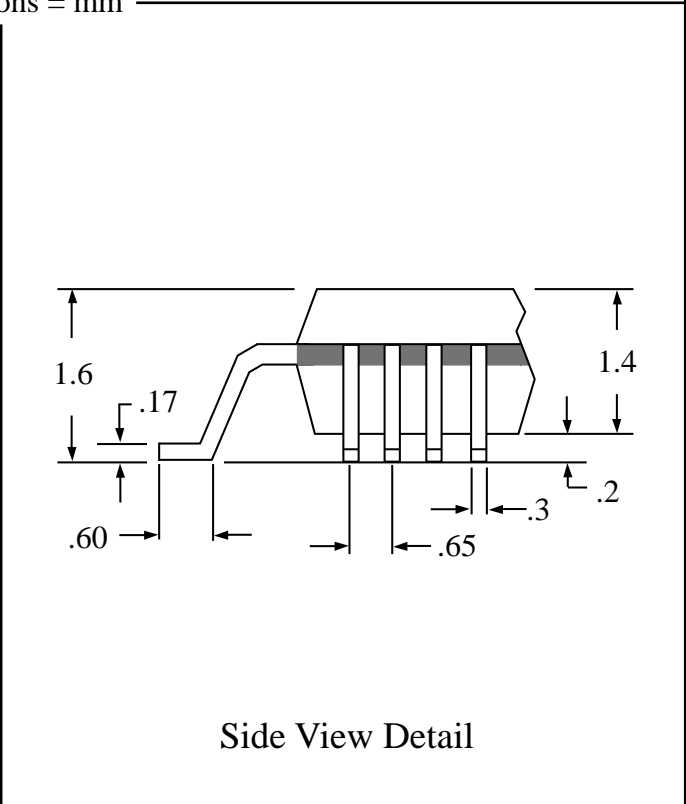
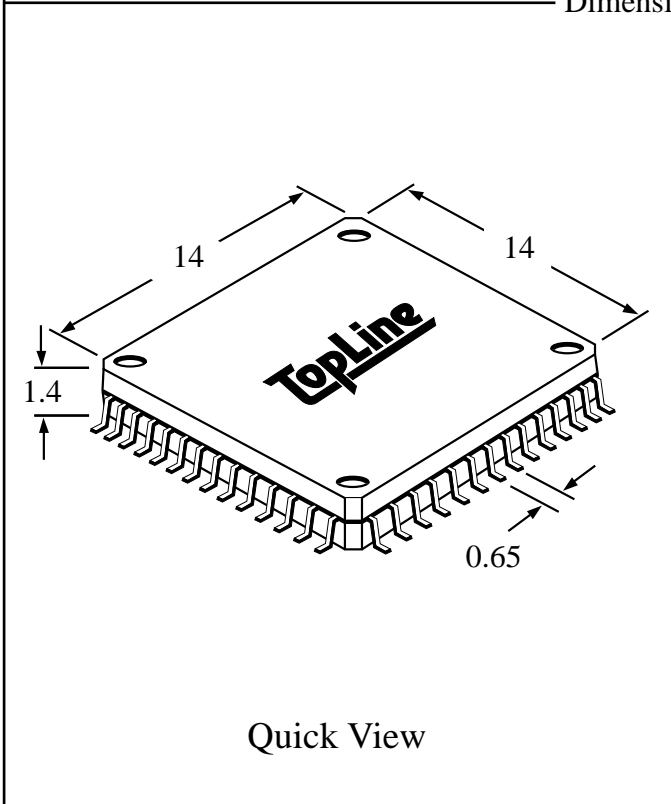
Available RoHS Pb-Free

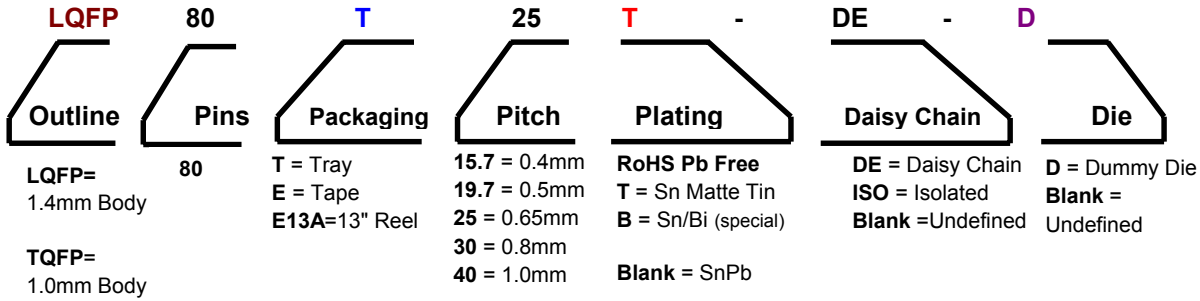
TopLine™

Tel 1-800-776-9888
info@topline.tv



Dimensions = mm





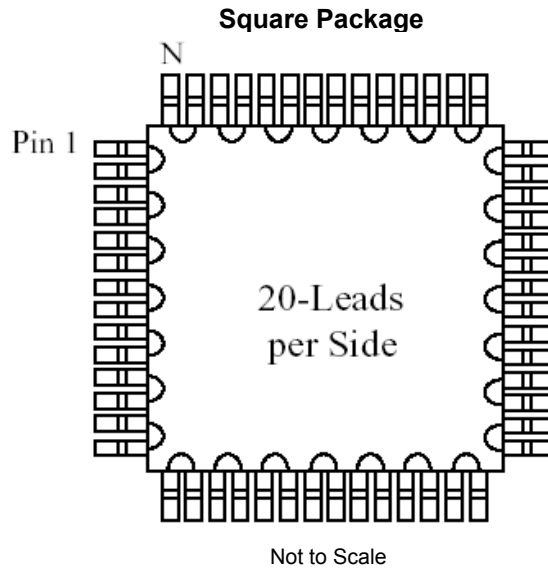
Ordering Steps:

- Step 1: Select outline body thickness TQFP (1.0mm) or LQFP (1.4mm).
- Step 2: Choose packaging. Tray is standard. Tape and Reel is available.
- Step 3: Select plating requirements. RoHS Pb-Free or SnPb
- Step 4: Select options according to your application. See chart below.

Part Number Packaged in Tray (Standard)	Options				Applications					
	Plating	Daisy Chain	Dummy Die	Isolated Pins	Mounting Practice	Rework Solder Practice	Reflow Temperature Profiling	Continuity Test	Life Cycle Test	S.I.R. Test
LQFP80T25	SnPb	No	No	No	x	x				
LQFP80T25T	Pb-Free	No	No	No	x	x				
LQFP80T25-DE-D	SnPb	Yes	Yes	No	x	x	x	x	x	
LQFP80T25T-DE-D	Pb-Free	Yes	Yes	No	x	x	x	x	x	
LQFP80T25-ISO	SnPb	No	No	Yes	x	x	x			x
LQFP80T25T-ISO	Pb-Free	No	No	Yes	x	x	x			x

Part Number Packaged in Tape and Reel	Options				Applications					
	Plating	Daisy Chain	Dummy Die	Isolated Pins	Mounting Practice	Rework Solder Practice	Reflow Temperature Profiling	Continuity Test	Life Cycle Test	S.I.R. Test
LQFP80E13A25	SnPb	No	No	No	x	x				
LQFP80E13A25T	Pb-Free	No	No	No	x	x				
LQFP80E13A25-DE-D	SnPb	Yes	Yes	No	x	x	x	x	x	
LQFP80E13A25T-DE-D	Pb-Free	Yes	Yes	No	x	x	x	x	x	
LQFP80E13A25-ISO	SnPb	No	No	Yes	x	x	x			x
LQFP80E13A25T-ISO	Pb-Free	No	No	Yes	x	x	x			x

Visit www.TopLine.tv or email info@TopLine.tv for applications assistance.



Daisy Chain Net List TQFP80, LQFP80 and QFP80

Net List		Net List	
From Pin	To Pin	From Pin	To Pin
1	2	41	42
3	4	43	44
5	6	45	46
7	8	47	48
9	10	49	50
11	12	51	52
13	14	53	54
15	16	55	56
17	18	57	58
19	20	59	60
21	22	61	62
23	24	63	64
25	26	65	66
27	28	67	68
29	30	69	70
31	32	71	72
33	34	73	74
35	36	75	76
37	38	77	78
39	40	79	80

Visit www.TopLine.tv or email info@TopLine.tv for applications assistance.