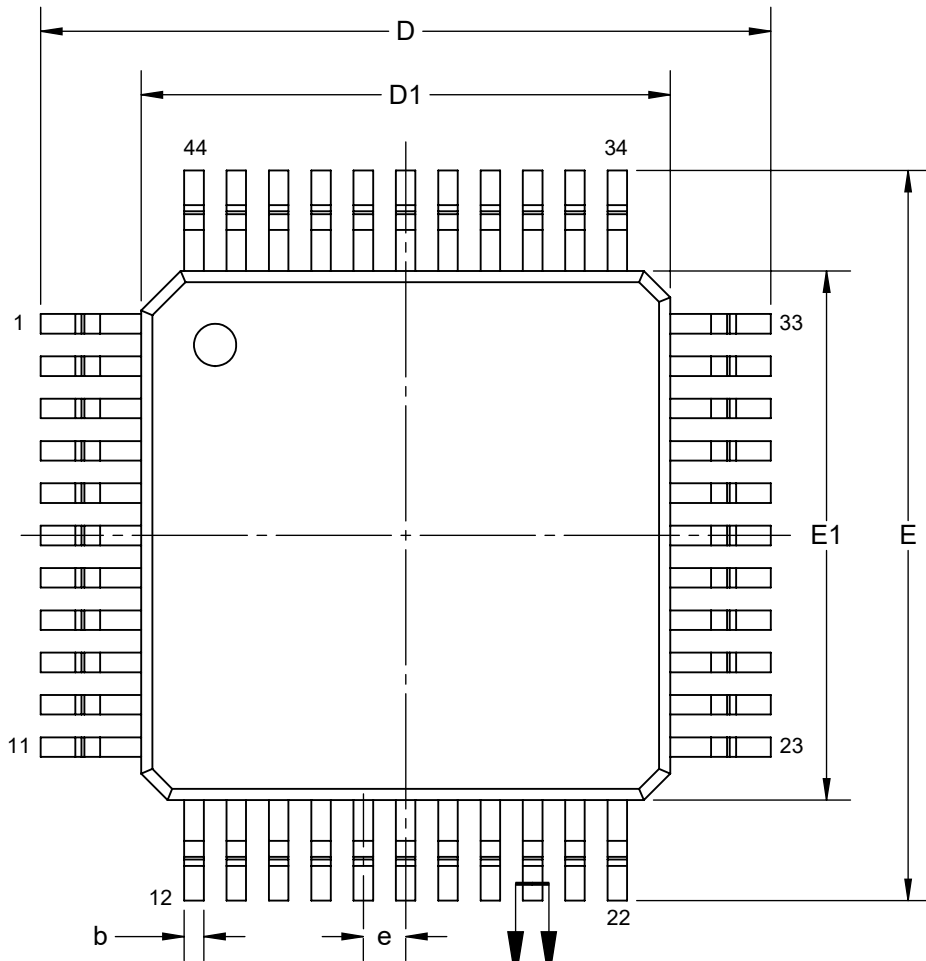
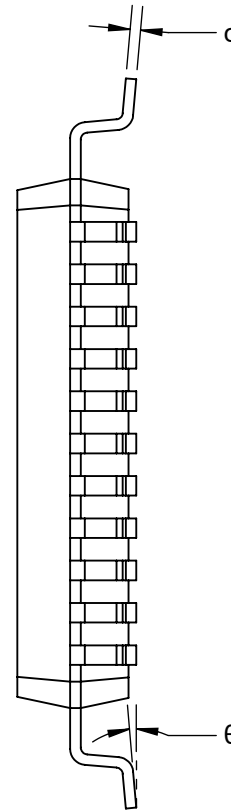


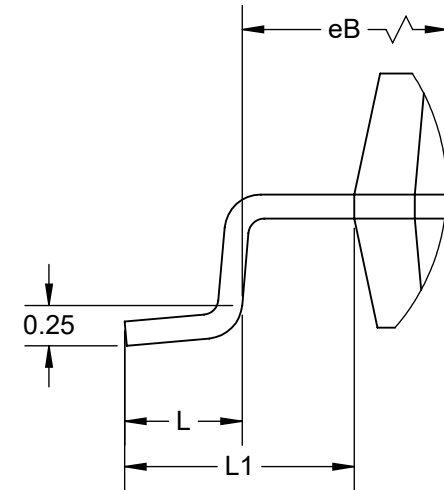
TOP VIEW



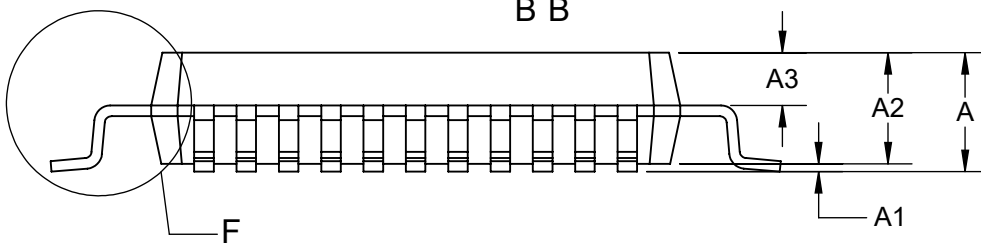
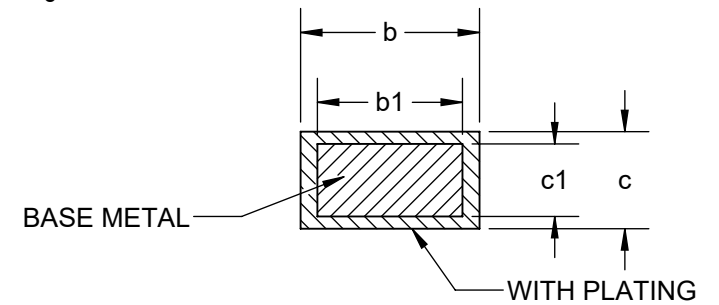
SIDE VIEW



DETAIL F SCALE 16 : 1



SECTION B-B SCALE 64 : 1



Notes: (Unless Otherwise Specified).

- 1) DIMENSIONS mm.
- 2) BODY PLASTIC, SEMICONDUCTOR GRADE.
- 3) LEAD FRAME COPPER. C-194 F/H.

APPROVALS	DATE	TopLine®			
DRAWN T. Au	12/11/2019				
ENG M. Hart	12/11/2019	TITLE QFP 44L 10x10mm P0.8mm QUAD FLAT PACK			
MFG		SCALE	SIZE	DRAWING NO.	REV
QA		7:1	A	188400	A
CUST		DO NOT SCALE DRAWING			SHEET 1 OF 5
REVISED					

FOOTPRINT 3.2MM

SYMBOL	MILLIMETER (mm)		
	MIN	NOM	MAX
A	-	-	2.45
A1	0.05	-	0.25
A2	2.05	2.10	2.15
A3	0.95	1.00	1.05
b	0.29	-	0.37
b1	0.28	0.30	0.33
c	0.15	-	0.20
c1	0.14	0.15	0.16
D	13.1	13.2	13.3
D1	9.90	10.00	10.10
E	13.1	13.2	13.3
E1	9.90	10.00	10.10
e	0.80 BSC		
L	0.85	1.0	1.15
L1	1.60 BSC		
θ	0	-	8°

FOOTPRINT 3.9MM

SYMBOL	MILLIMETER (mm)		
	MIN	NOM	MAX
A	-	-	2.45
A1	0.05	-	0.25
A2	2.05	2.10	2.15
A3	0.95	1.00	1.05
b	0.29	-	0.37
b1	0.28	0.30	0.33
c	0.15	-	0.20
c1	0.14	0.15	0.16
D	13.8	13.9	14.0
D1	9.90	10.00	10.10
E	13.8	13.9	14.0
E1	9.90	10.00	10.10
e	0.80 BSC		
L	0.85	1.0	1.15
L1	1.95 BSC		
θ	0	-	8°

TopLine®

TITLE QFP 44L 10x10mm P0.8mm
QUAD FLAT PACK

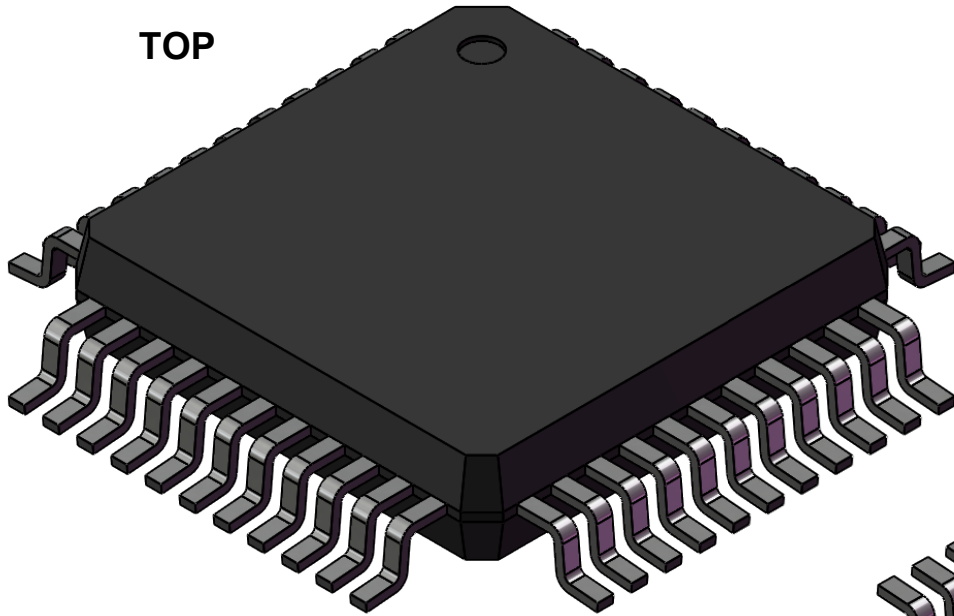
SCALE NONE	SIZE A	DRAWING NO. 188400	REV A
---------------	-----------	-----------------------	----------

DO NOT SCALE DRAWING

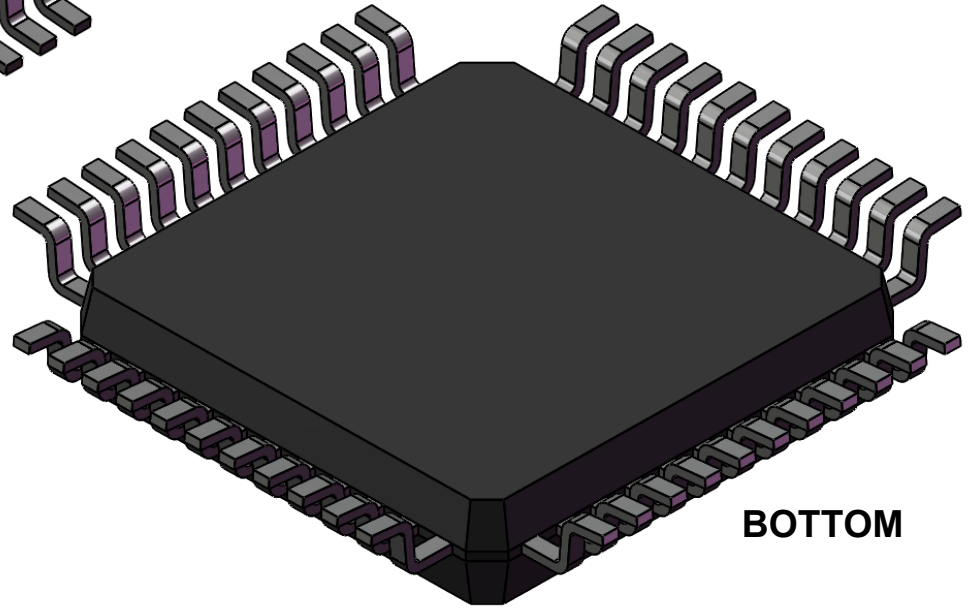
SHEET 2 OF 5

MODEL

TOP



BOTTOM



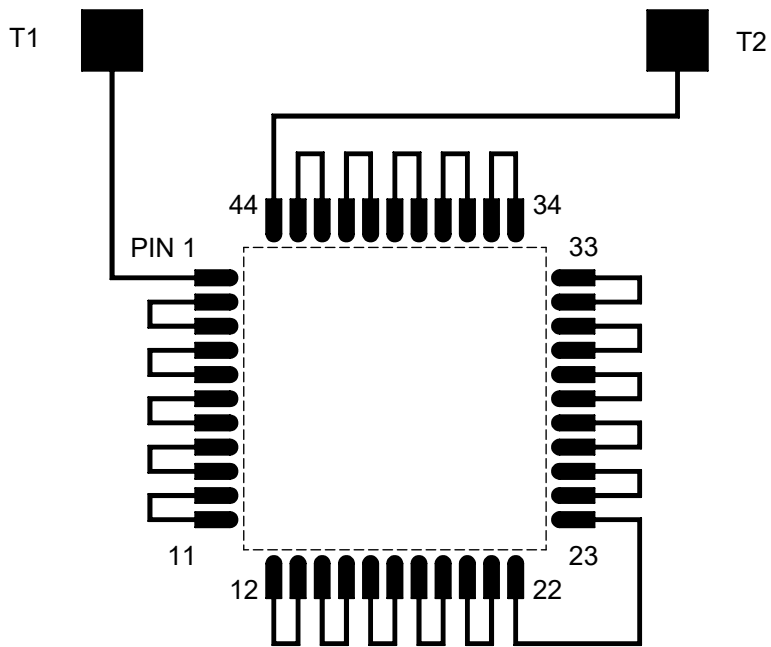
TopLine[®]

TITLE QFP 44L 10x10mm P0.8mm
QUAD FLAT PACK

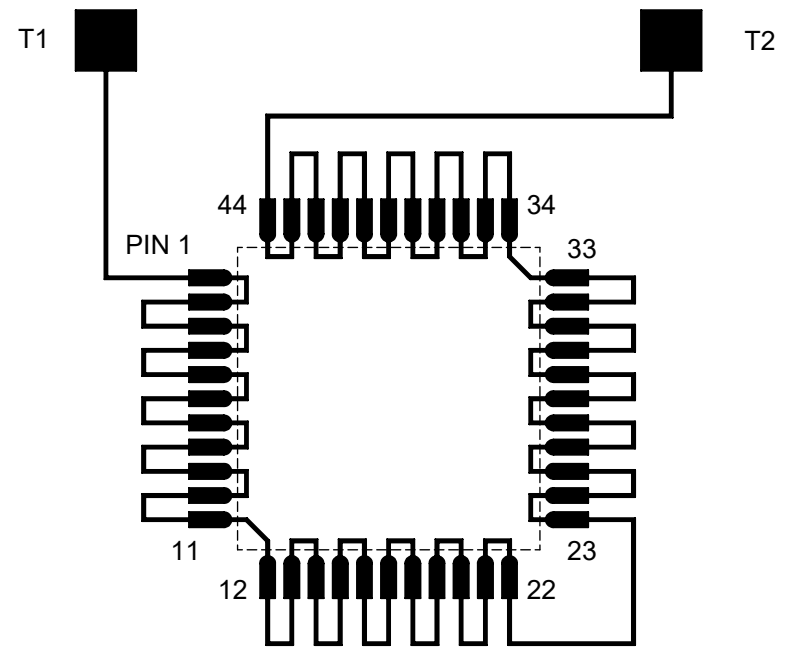
SCALE	SIZE	DRAWING NO.	REV
8:1	A	188400	A

DO NOT SCALE DRAWING

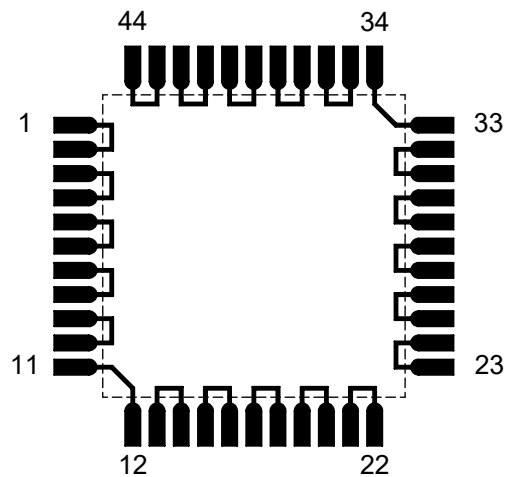
SHEET 3 OF 5



**RECOMMENDED
PCB PADS**



**AFTER MOUNTING
ON PCB**

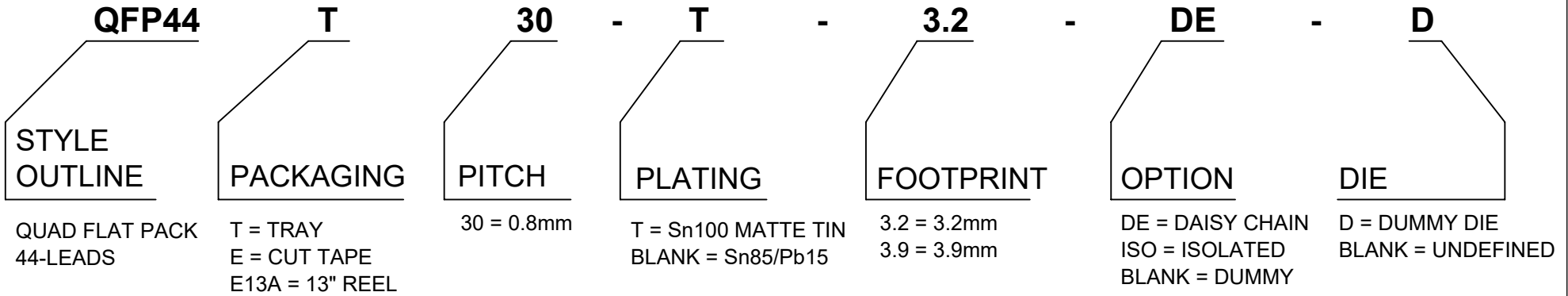


VIEW FROM TOP

DAISY CHAIN NET LIST		
PINS	PINS	PINS
1 ~ 2	17 ~ 18	33 ~ 34
3 ~ 4	19 ~ 20	35 ~ 36
5 ~ 6	21 ~ 22	37 ~ 38
7 ~ 8	23 ~ 24	39 ~ 40
9 ~ 10	25 ~ 26	41 ~ 42
11 ~ 12	27 ~ 28	43 ~ 44
13 ~ 14	29 ~ 30	
15 ~ 16	31 ~ 32	

TopLine®			
TITLE QFP 44L 10x10mm P0.8mm QUAD FLAT PACK			
SCALE 4:1	SIZE A	DRAWING NO. 188400	REV A
DO NOT SCALE DRAWING			SHEET 4 OF 5

PART NUMBERING SYSTEM



PART NUMBER	DAISY CHAIN	PACKAGING	RoHS Pb-FREE	Plating	DUMMY DIE
QFP44T30-T-3.2-DE-D	YES	JEDEC TRAY	YES	Sn100	YES
QFP44E30-T-3.2-ISO	ISOLATED	JEDEC TRAY	YES	Sn100	NO
QFP44T30-T-3.2	NO	JEDEC TRAY	YES	Sn100	OPTIONAL
QFP44E13A30-T-3.2	NO	REEL	YES	Sn100	OPTIONAL
QFP44T30-3.2-DE-D	YES	JEDEC TRAY	NO	Sn85/Pb15	YES
QFP44T30-3.2	NO	JEDEC TRAY	NO	Sn85/Pb15	OPTIONAL

OTHER PART NUMBER COMBINATIONS AVAILABLE. CONTACT TOPLINE.

TopLine®			
TITLE QFP 44L 10x10mm P0.8mm QUAD FLAT PACK			
SCALE NONE	SIZE A	DRAWING NO. 188400	REV A
DO NOT SCALE DRAWING		SHEET 5 OF 5	