

Part # **TQFP80T25**

Leads **80** Pitch **0.65mm**

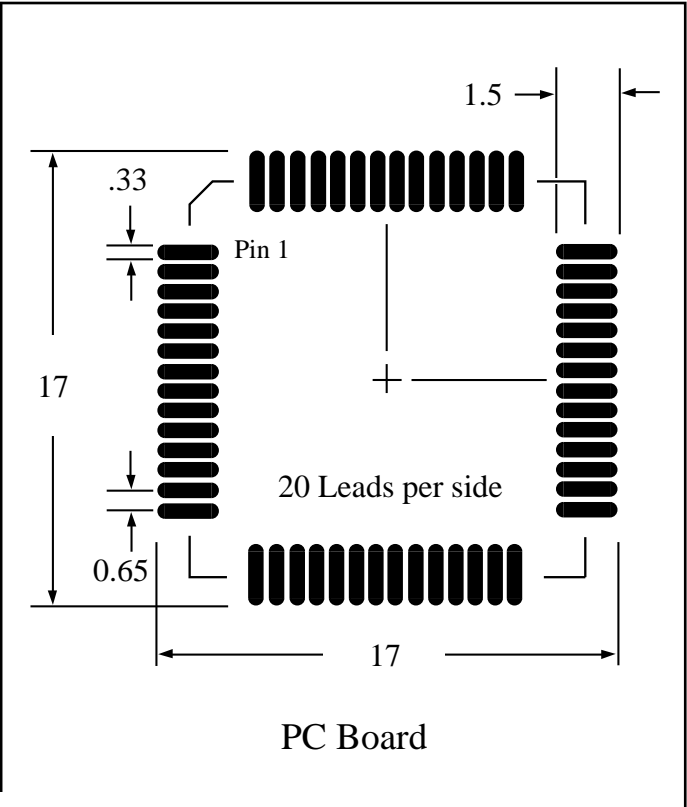
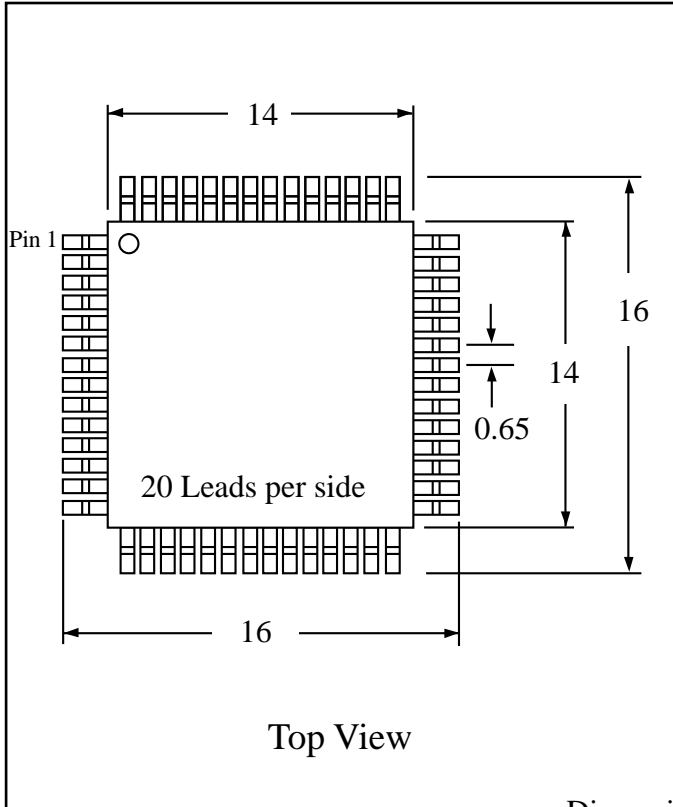
Body Size **14mm SQ**

Available RoHS Pb-Free

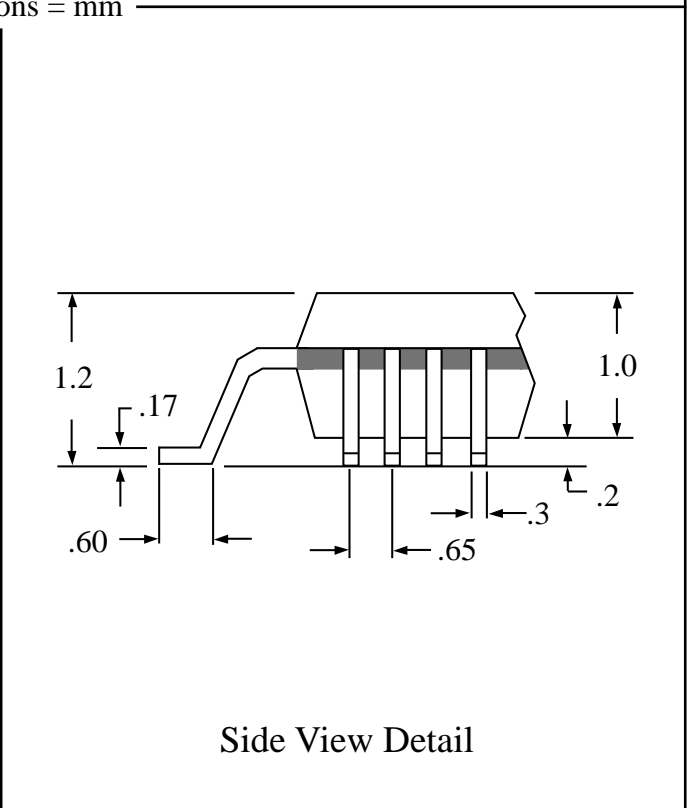
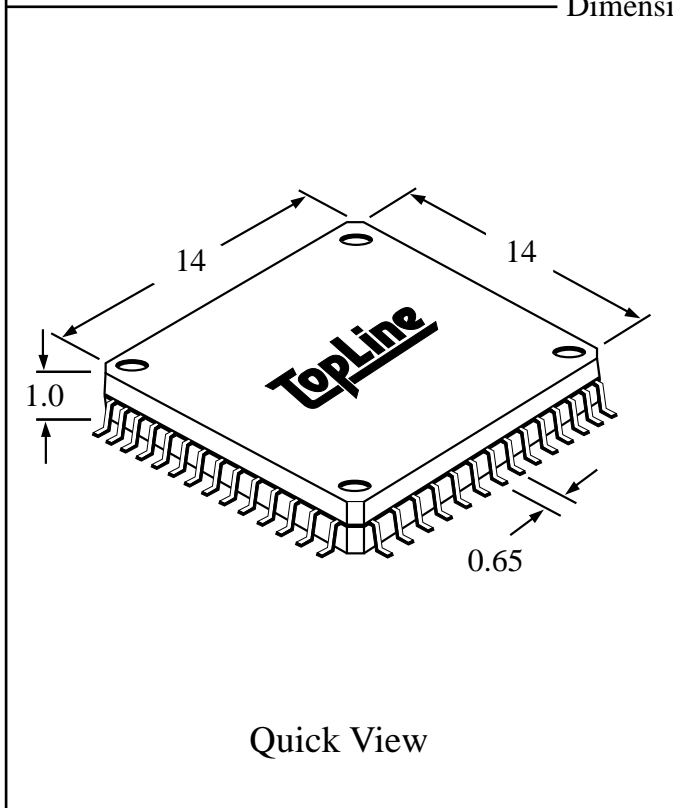
TopLineTM

Tel 1-800-776-9888

info@topline.tv



Dimensions = mm



| | | | | | | |
|---------------------|---------------|---------------------------------------|---|--|---|------------------------------------|
| TQFP | 80 | T | 25 | T - | DE - | D |
| Outline | Pins | Packaging | Pitch | Plating | Daisy Chain | Die |
| TQFP= 1.0mm Body | 80 | T = Tray E = Tape E13A=13" Reel | 15.7 = 0.4mm 19.7 = 0.5mm 25 = 0.65mm 30 = 0.8mm 40 = 1.0mm | RoHS Pb Free T = Sn Matte Tin B = Sn/Bi (special) Blank = SnPb | DE = Daisy Chain ISO = Isolated Blank = Undefined | D = Dummy Die Blank = Undefined |
| LQFP= 1.4mm Body | | | | | | |

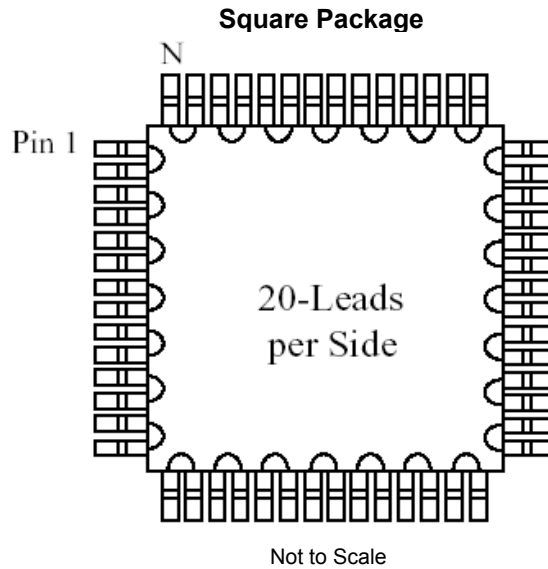
Ordering Steps:

- Step 1: Select outline body thickness TQFP (1.0mm) or LQFP (1.4mm).
- Step 2: Choose packaging. Tray is standard. Tape and Reel is available.
- Step 3: Select plating requirements. RoHS Pb-Free or SnPb
- Step 4: Select options according to your application. See chart below.

| Part Number Packaged in Tray (Standard) | Options | | | | Applications | | | | | |
|---|---------|-------------|-----------|---------------|-------------------|------------------------|------------------------------|-----------------|-----------------|-------------|
| | Plating | Daisy Chain | Dummy Die | Isolated Pins | Mounting Practice | Rework Solder Practice | Reflow Temperature Profiling | Continuity Test | Life Cycle Test | S.I.R. Test |
| TQFP80T25 | SnPb | No | No | No | x | x | | | | |
| TQFP80T25T | Pb-Free | No | No | No | x | x | | | | |
| TQFP80T25-DE-D | SnPb | Yes | Yes | No | x | x | x | x | x | |
| TQFP80T25T-DE-D | Pb-Free | Yes | Yes | No | x | x | x | x | x | |
| TQFP80T25-ISO | SnPb | No | No | Yes | x | x | x | | | x |
| TQFP80T25T-ISO | Pb-Free | No | No | Yes | x | x | x | | | x |

| Part Number Packaged in Tape and Reel | Options | | | | Applications | | | | | |
|---|---------|-------------|-----------|---------------|-------------------|------------------------|------------------------------|-----------------|-----------------|-------------|
| | Plating | Daisy Chain | Dummy Die | Isolated Pins | Mounting Practice | Rework Solder Practice | Reflow Temperature Profiling | Continuity Test | Life Cycle Test | S.I.R. Test |
| TQFP80E13A25 | SnPb | No | No | No | x | x | | | | |
| TQFP80E13A25T | Pb-Free | No | No | No | x | x | | | | |
| TQFP80E13A25-DE-D | SnPb | Yes | Yes | No | x | x | x | x | x | |
| TQFP80E13A25T-DE-D | Pb-Free | Yes | Yes | No | x | x | x | x | x | |
| TQFP80E13A25-ISO | SnPb | No | No | Yes | x | x | x | | | x |
| TQFP80E13A25T-ISO | Pb-Free | No | No | Yes | x | x | x | | | x |

Visit www.TopLine.tv or email info@TopLine.tv for applications assistance.



Daisy Chain Net List TQFP80, LQFP80 and QFP80

| Net List | | Net List | |
|----------|--------|----------|--------|
| From Pin | To Pin | From Pin | To Pin |
| 1 | 2 | 41 | 42 |
| 3 | 4 | 43 | 44 |
| 5 | 6 | 45 | 46 |
| 7 | 8 | 47 | 48 |
| 9 | 10 | 49 | 50 |
| 11 | 12 | 51 | 52 |
| 13 | 14 | 53 | 54 |
| 15 | 16 | 55 | 56 |
| 17 | 18 | 57 | 58 |
| 19 | 20 | 59 | 60 |
| 21 | 22 | 61 | 62 |
| 23 | 24 | 63 | 64 |
| 25 | 26 | 65 | 66 |
| 27 | 28 | 67 | 68 |
| 29 | 30 | 69 | 70 |
| 31 | 32 | 71 | 72 |
| 33 | 34 | 73 | 74 |
| 35 | 36 | 75 | 76 |
| 37 | 38 | 77 | 78 |
| 39 | 40 | 79 | 80 |

Visit www.TopLine.tv or email info@TopLine.tv for applications assistance.