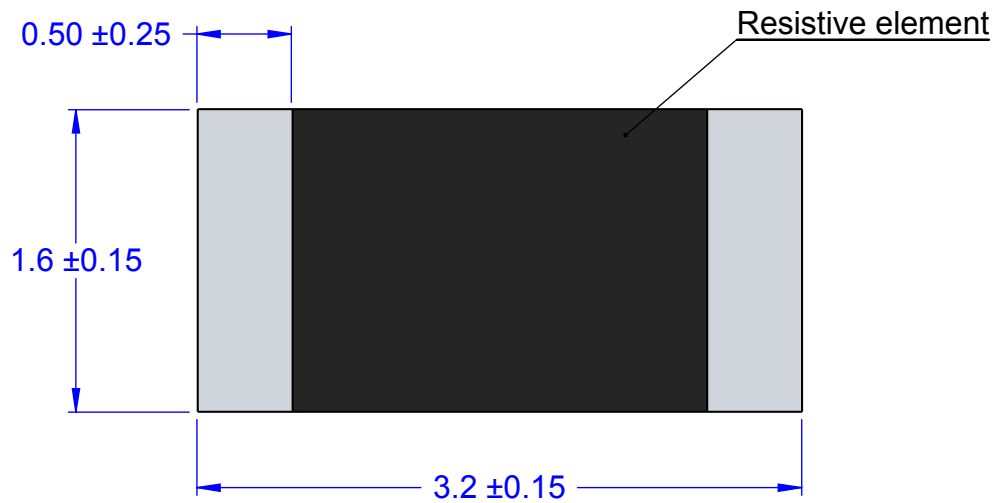
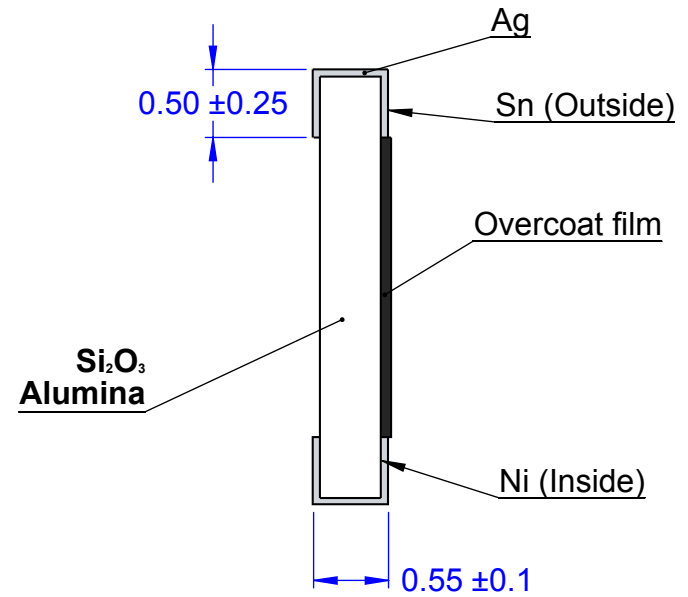


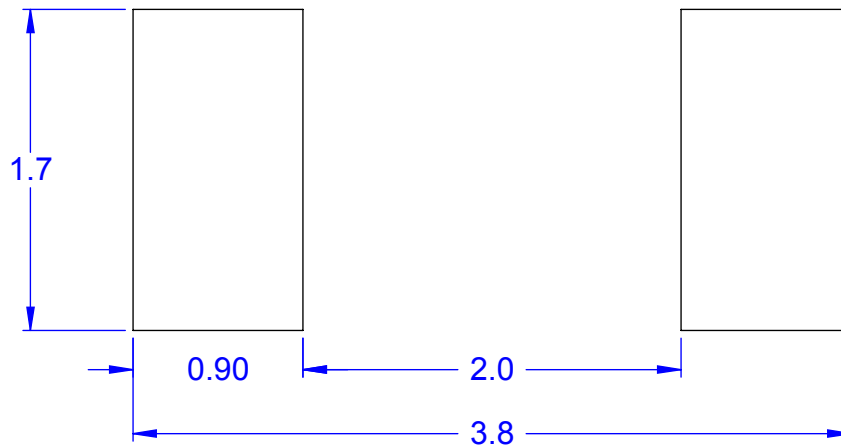
TOP VIEW



STRUCTURE

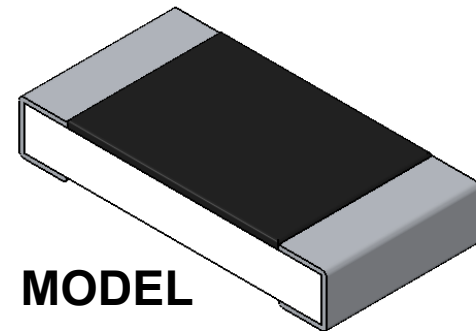


RECOMMENDED PCB PATTERN



NOTES:

1. DIMENSIONS IN mm.
2. TERMINATION: Tin (Sn).
3. Pb-FREE AND HALOGEN FREE.

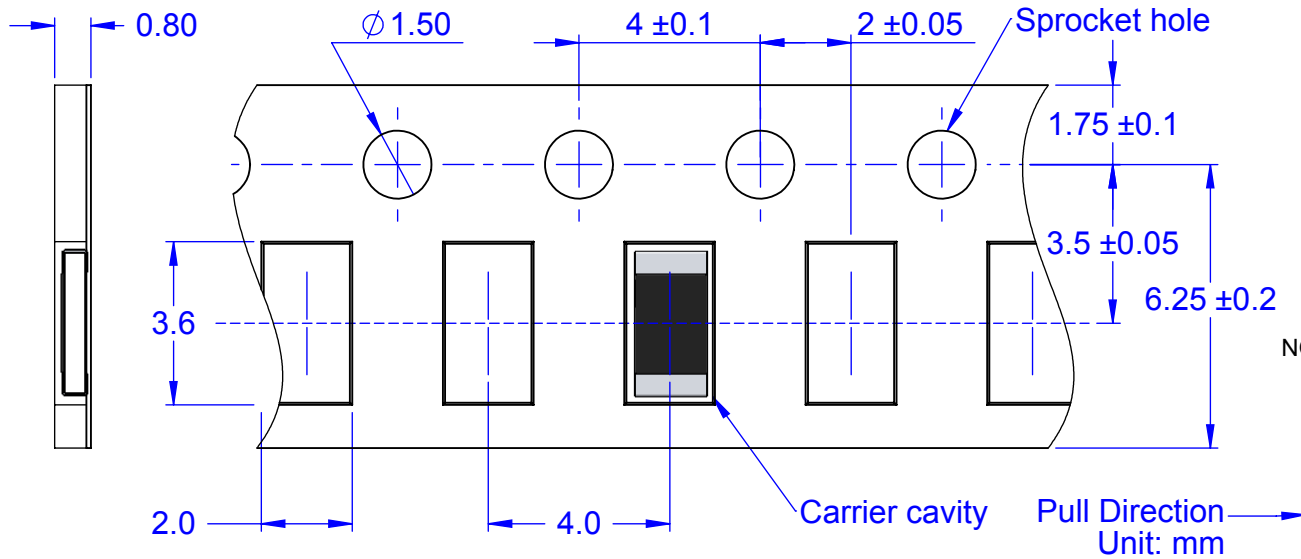


MODEL

PCB DIMENSIONS ARE PRESENTED ONLY AS A GUIDELINE. DESIGNERS SHOULD USE THEIR OWN KNOWLEDGE BASE WHEN DESIGNING THE PCB.

APPROVALS	DATE	TopLine®			
DRAWN T. Au	08/03/12				
ENG M. Hart	08/03/12	TITLE SR1206 SMT RESISTOR			
MFG		SCALE	SIZE A	DRAWING NO. 121201	REV A
QA					
CUST		DO NOT SCALE DRAWING			SHEET 1 OF 2
REVISED					

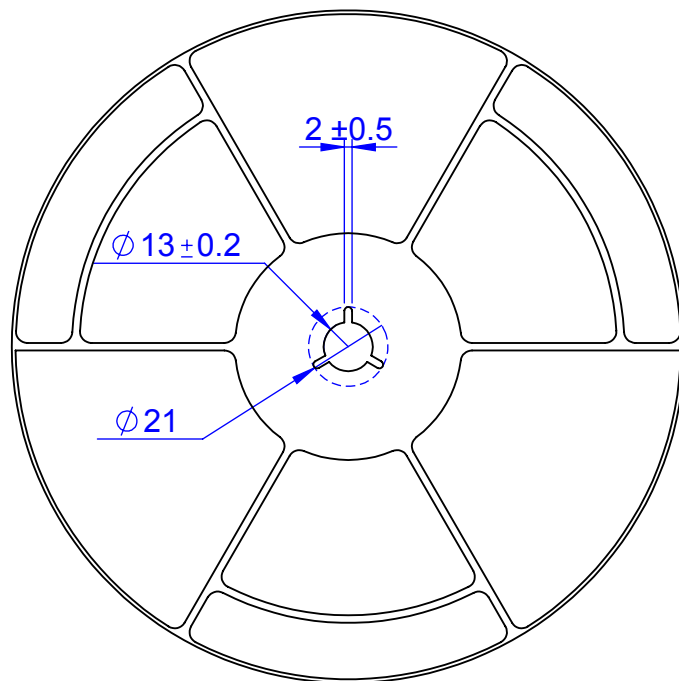
W8P4 CARRIER TAPE DIMENSION



PART NUMBER SYSTEM

SR	1206	P7A	- ZERO	- TIN
RESISTOR		PACK CODE	< 50mΩ	TERMINATION
		SIZE CODE		Sn (TIN)
		3.2 x 1.6mm		

NOTE: For dummy resistor replace ZERO with blank



REEL DIMENSIONS

PACK CODE

CODE	QTY	PACKAGE
P7A	5,000	REEL
P4A	1,000	REEL

APPROVALS	DATE				
DRAWN T. Au	08/03/12				
ENG M. Hart	08/03/12	TITLE SR1206 SMT RESISTOR			
MFG		SCALE	SIZE A	DRAWING NO.	REV
QA				121201	A
CUST		DO NOT SCALE DRAWING			SHEET 2 OF 2
REVISED					