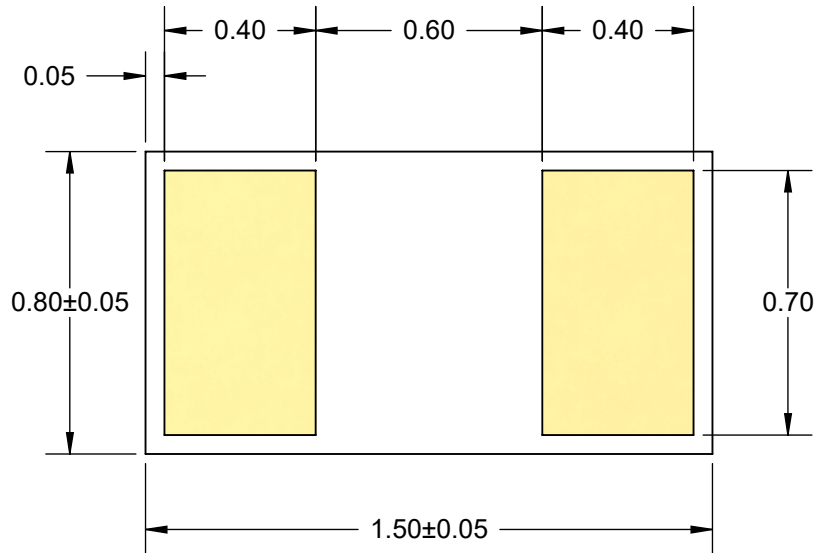
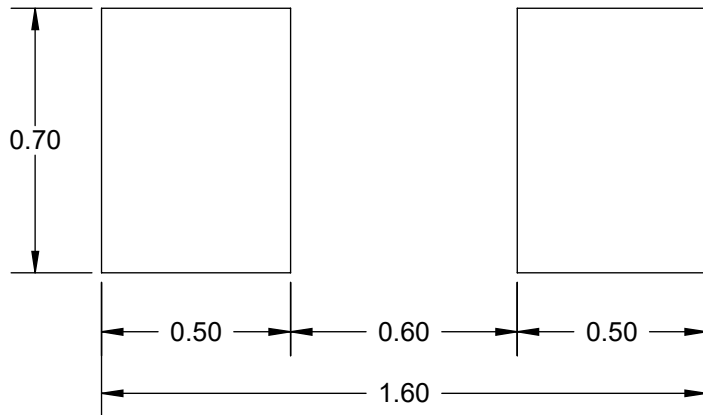


BOTTOM VIEW

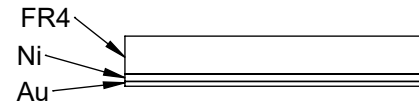


RECOMMENDED PCB PATTERN



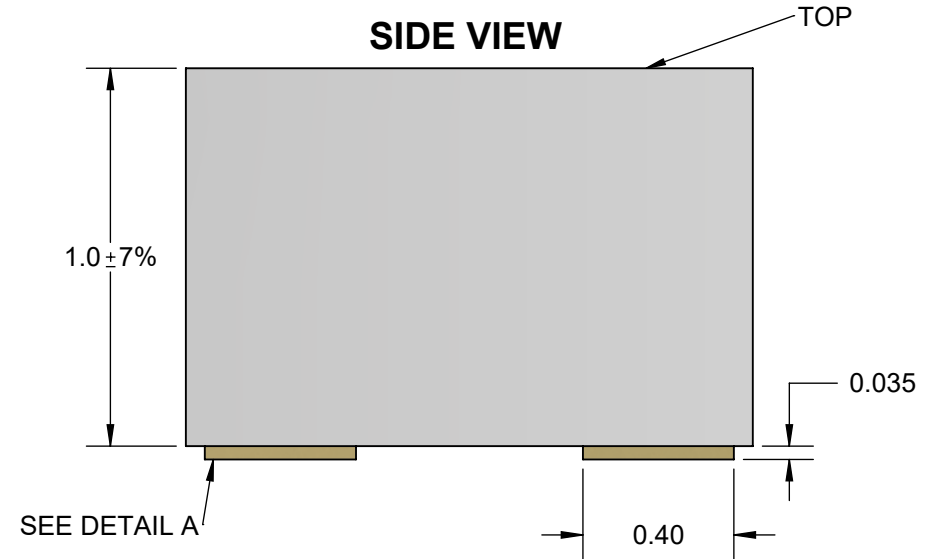
PCB DIMENSIONS ARE PRESENTED ONLY AS A GUIDELINE. DESIGNERS SHOULD USE THEIR OWN KNOWLEDGE BASE WHEN DESIGNING THE PCB.

PAD DETAIL A



METALLIZATION THICKNESS	
Ni	4.0±1.5µm
Au	0.05±0.02µm

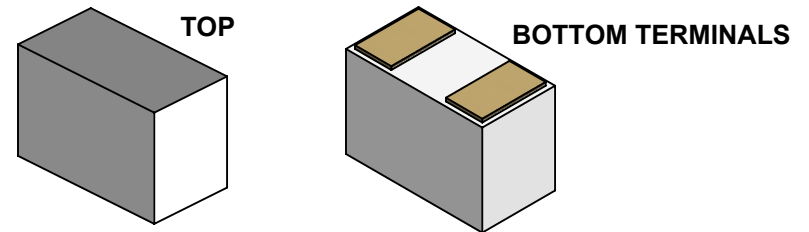
SIDE VIEW




NOTES:

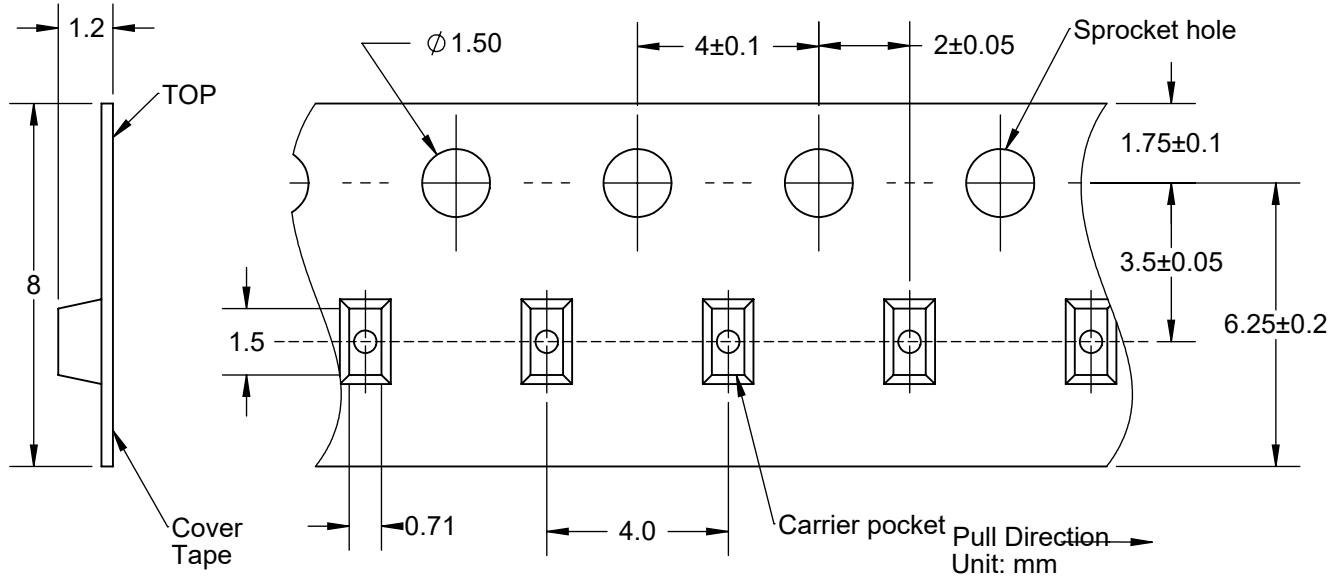
1. DIMENSION IN mm EXCEPT AS NOTED.
2. TERMINATION: NiAu.
3. Pb-FREE AND HALOGEN FREE.

MODEL

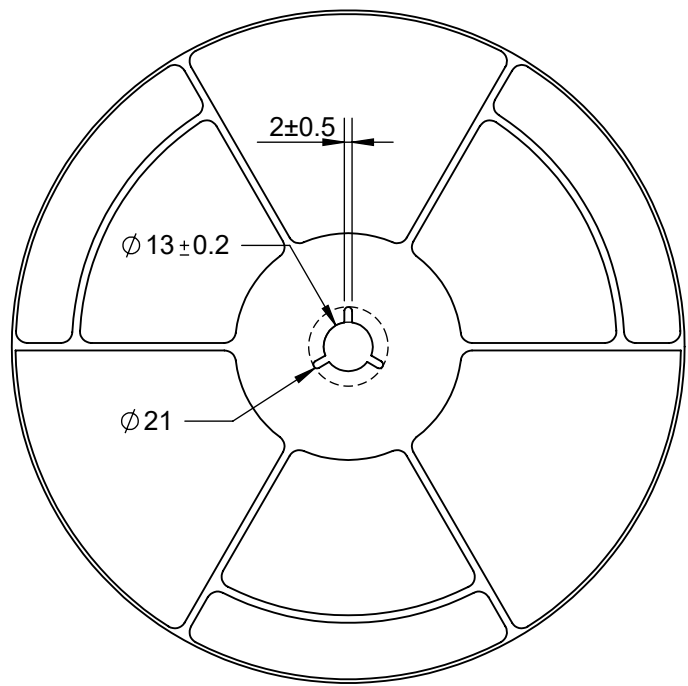
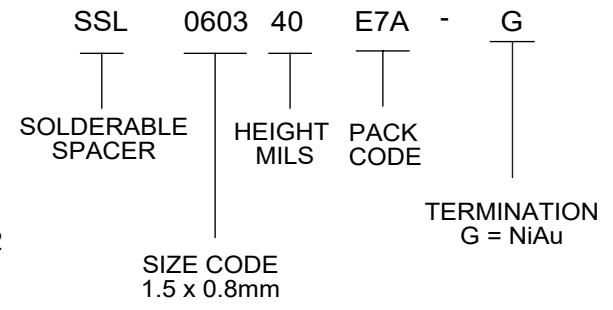


APPROVALS		DATE				
DRAWN	T.Au	6/16/2021				
ENG	M. Hart	6/16/2021	SCALE		SIZE	DRAWING NO.
MFG			50:1		A	060340
QA						REV
CUST						A
REVISED			DO NOT SCALE DRAWING			SHEET 1 OF 2

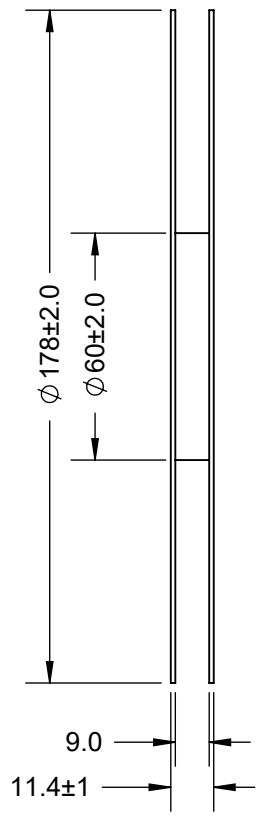
W8P4 CARRIER TAPE DIMENSION



PART NUMBER SYSTEM



REEL DIMENSIONS



PACK CODE		
CODE	QTY	PACKAGE
E7A	3,000	REEL

NOTE: PLACE COMPONENT IN TAPE METAL SIDE DOWN

TopLine®

TITLE SSL0603-H1.0mm
BOTTOM TERMINAL SPACER

SCALE NONE	SIZE A	DRAWING NO. 060340	REV A
---------------	-----------	-----------------------	----------

DO NOT SCALE DRAWING SHEET 2 OF 2