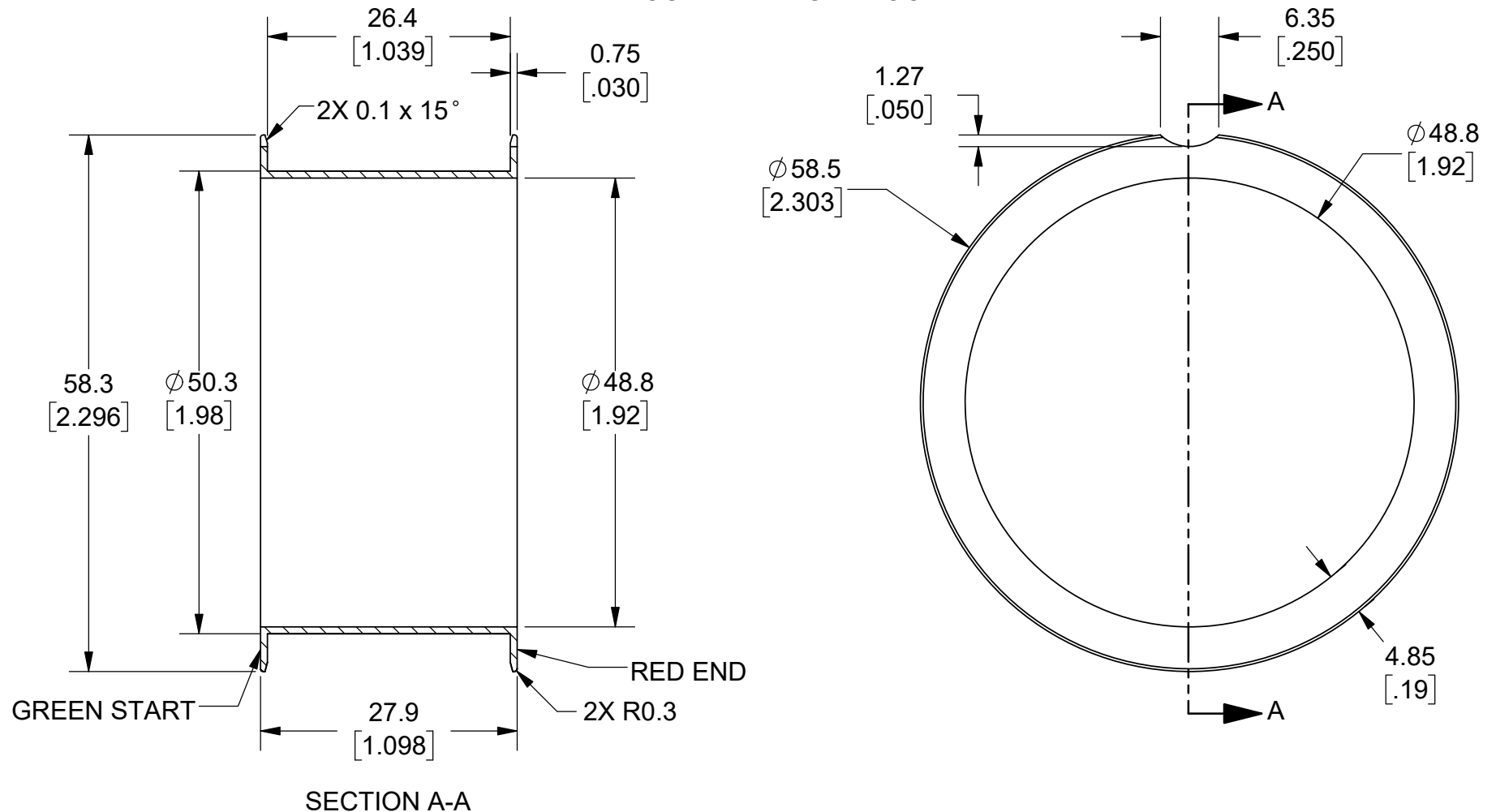
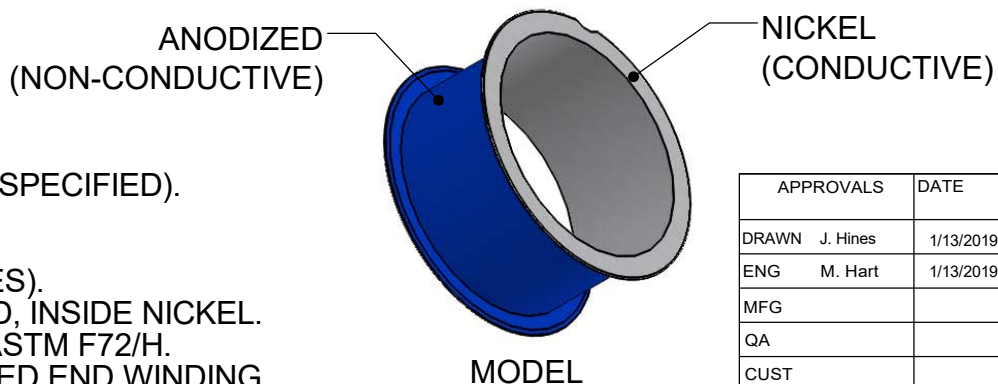



2-INCH SPOOL (1" L)
DOUBLE FLANGE SPOOL



SECTION A-A



- NOTES: (UNLESS OTHERWISE SPECIFIED).
- 1) DIMENSIONS: MM [INCH].
 - 2) MATERIAL: ALUMINUM.
 - 3) DEBURR (BREAK ALL EDGES).
 - 4) FINISH: OUTSIDE ANODIZED, INSIDE NICKEL.
 - 5) SPOOL DIMENSIONS PER ASTM F72/H.
 - 6) GREEN START WINDING, RED END WINDING.

APPROVALS		DATE				
DRAWN	J. Hines	1/13/2019				
ENG	M. Hart	1/13/2019	SCALE		1.5:1	REV
MFG			SIZE		A	DRAWING NO.
QA			DO NOT SCALE DRAWING		400125	
CUST			SHEET 1		OF 1	
REVISED						