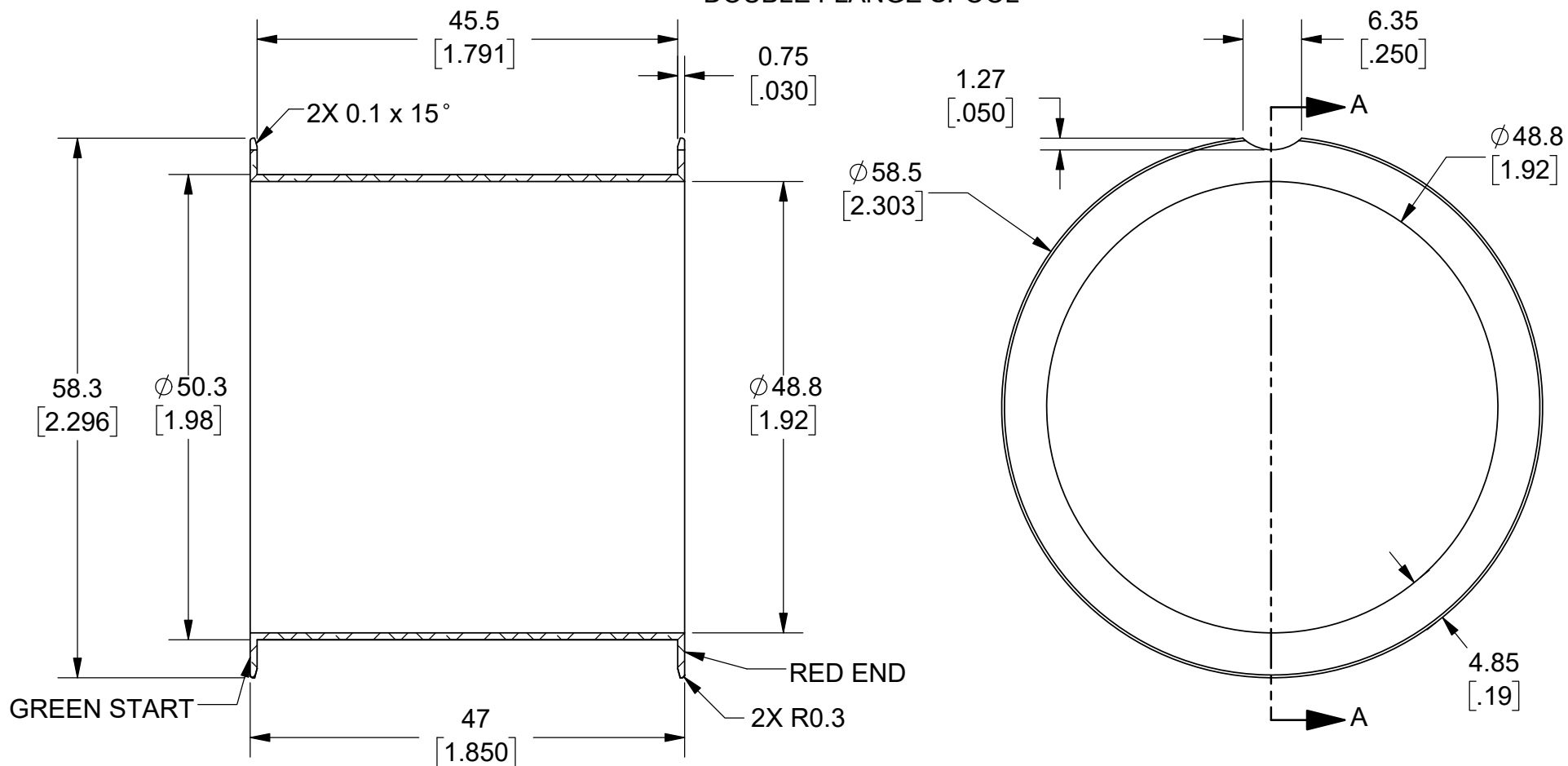


2-INCH SPOOL (2" L)
DOUBLE FLANGE SPOOL



SECTION A-A

MODEL

NOTES: (UNLESS OTHERWISE SPECIFIED).

- 1) DIMENSIONS: MM [INCH].
- 2) MATERIAL: ALUMINUM.
- 3) DEBURR (BREAK ALL EDGES).
- 4) FINISH: MATTE, ANODIZED.
- 5) SPOOL DIMENSIONS PER ASTM F72/J.
- 6) GREEN START WINDING, RED END WINDING.



APPROVALS	DATE	TopLine [®]			
DRAWN J. Hines	3/22/2019				
ENG M. Hart	3/22/2019	TITLE 2-INCH SPOOL (2" L) AL-4WNI CONDUCTIVE SPOOL			
MFG		SCALE 1.5:1	SIZE A	DRAWING NO. 400109	REV A
QA					
CUST		DO NOT SCALE DRAWING			SHEET 1 OF 1
REVISED					