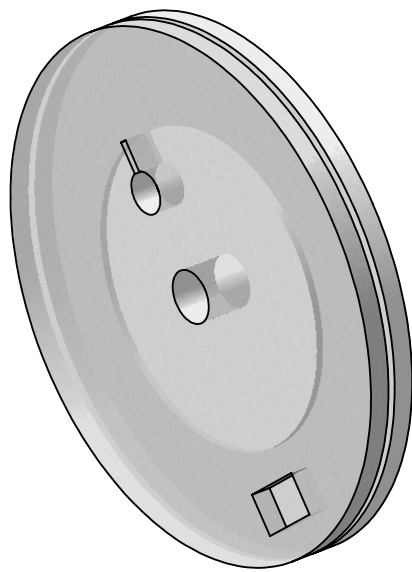
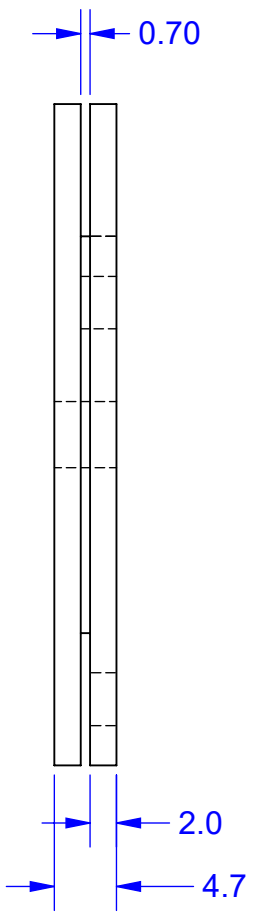
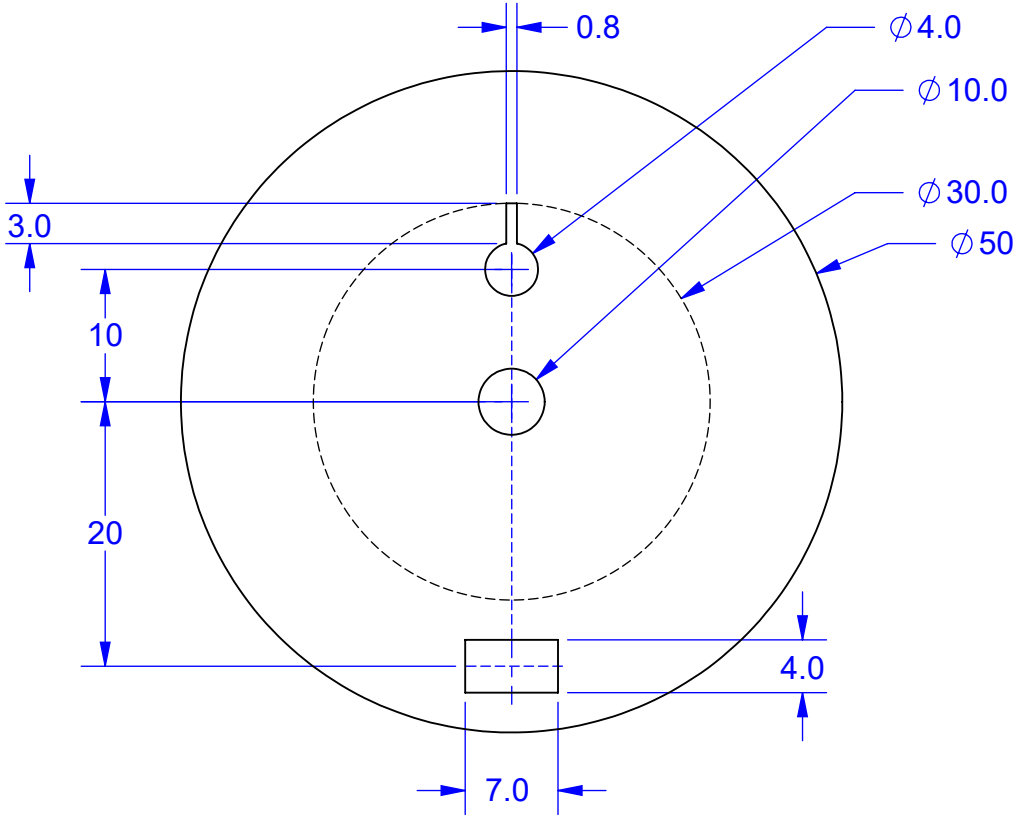


# SPOOL



NOTES:  
 1) DIMENSIONS mm  
 2) MATERIAL: PLASTIC

APPROVALS	DATE	<b>TopLine</b> <sup>®</sup>			
DRAWN T. Au	12/15/2022				
ENG M. Hart	12/15/2022	TITLE SPOOL PANCAKE WINDING FOR 0.5MM RIBBON WIRE			
MFG		SCALE 1:2.5	SIZE A	DRAWING NO.	REV
QA				400144	A
CUST		DO NOT SCALE DRAWING		SHEET 1 OF 1	
REVISED					