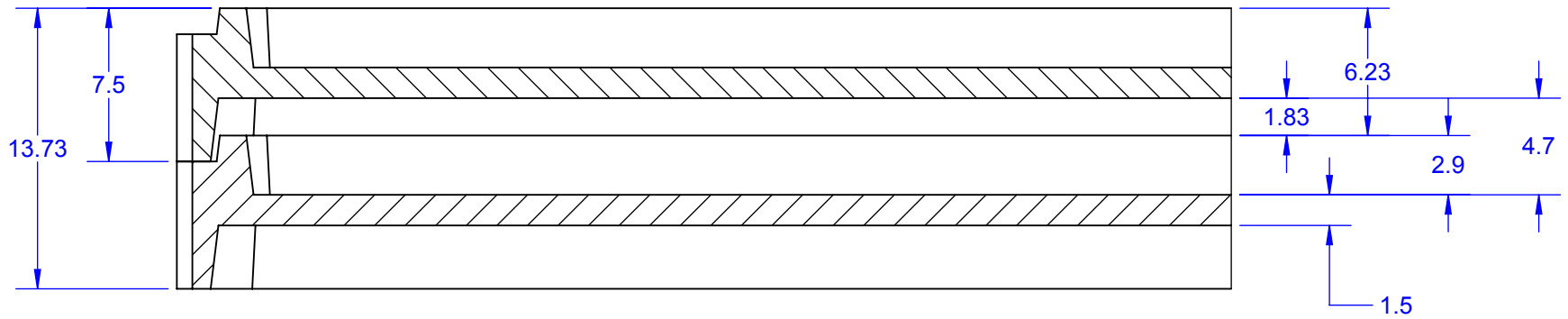
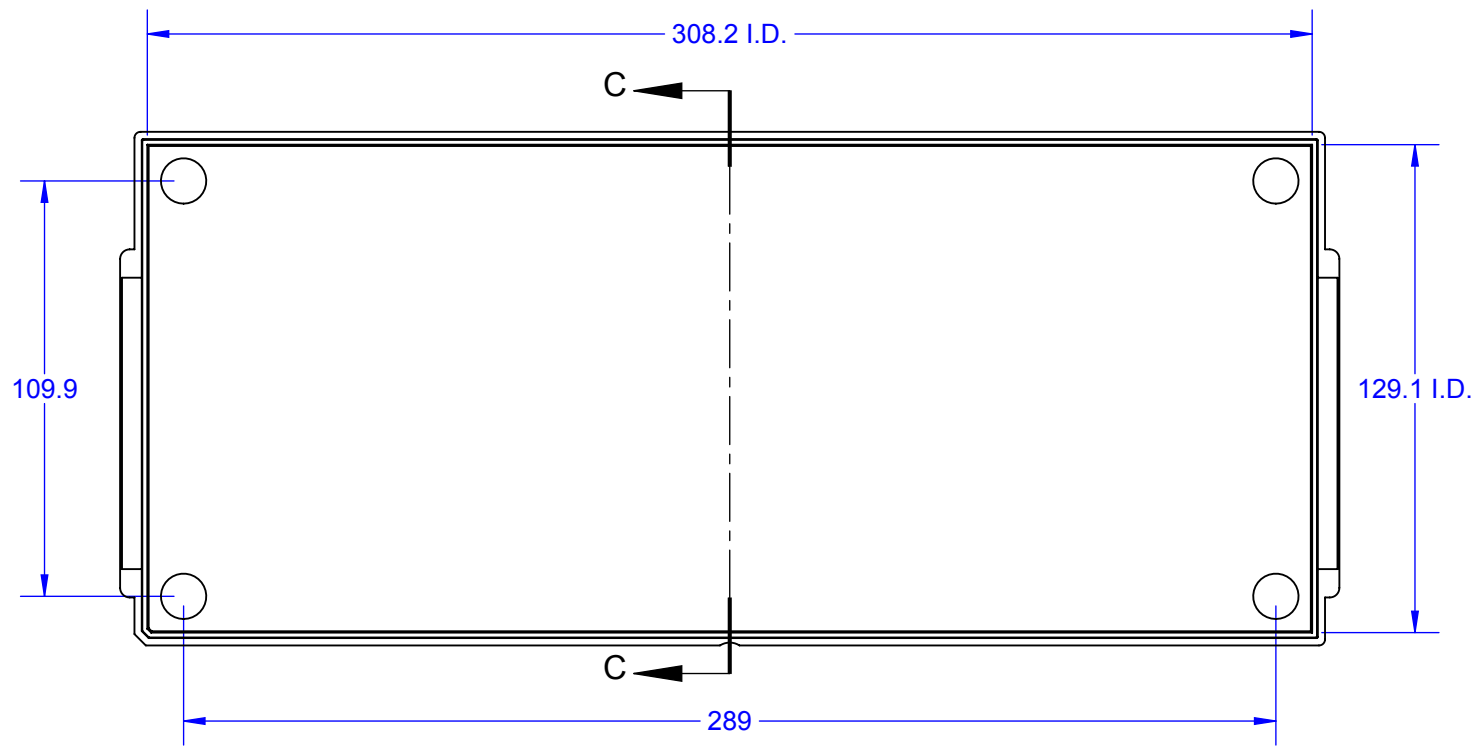


- Notes: (Unless Otherwise Specified).
- 1) SURFACE RESISTIVITY: $10^8 \Omega$ TO $10^{12} \Omega$ PER SQUARE.
 - 2) WARPAGE IS WITHIN 0.76MM.
 - 3) THE NUMERICAL VALUE IN PARENTHESES IS REFERENCE VALUE.

APPROVALS	DATE	TopLine®			
DRAWN T.Au	02/16/15				
ENG M. Hart	02/16/15	TITLE eN-COVERTRAY			
MFG		SCALE 1:2.5	SIZE A	DRAWING NO. 110689	REV A
QA		DO NOT SCALE DRAWING			SHEET 1 OF 4
CUST					
REVISED					



SECTION C-C
SCALE 3 : 1

TopLine®			
TITLE eN-COVERTRAY			
SCALE 1:2	SIZE A	DRAWING NO. 110689	REV A
DO NOT SCALE DRAWING		SHEET 2 OF 4	



ISOMETRIC VIEW
SINGLE COVER TRAY

TopLine[®]			
TITLE		eN-COVERTRAY	
SCALE	SIZE	DRAWING NO.	REV
2:3	A	110689	A
DO NOT SCALE DRAWING			SHEET 3 OF 4



ISOMETRIC VIEW
SINGLE COVER TRAY

TopLine[®]			
TITLE		eN-COVERTRAY	
SCALE	SIZE	DRAWING NO.	REV
2:3	A	110689	A
DO NOT SCALE DRAWING			SHEET 4 OF 4