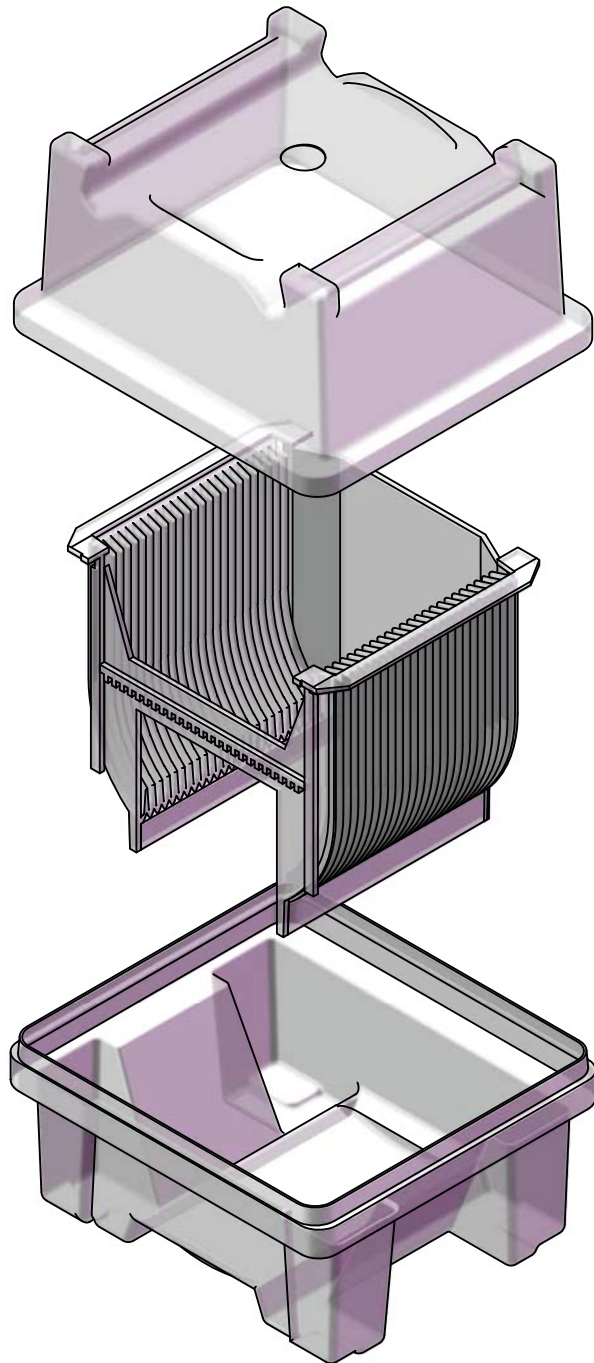
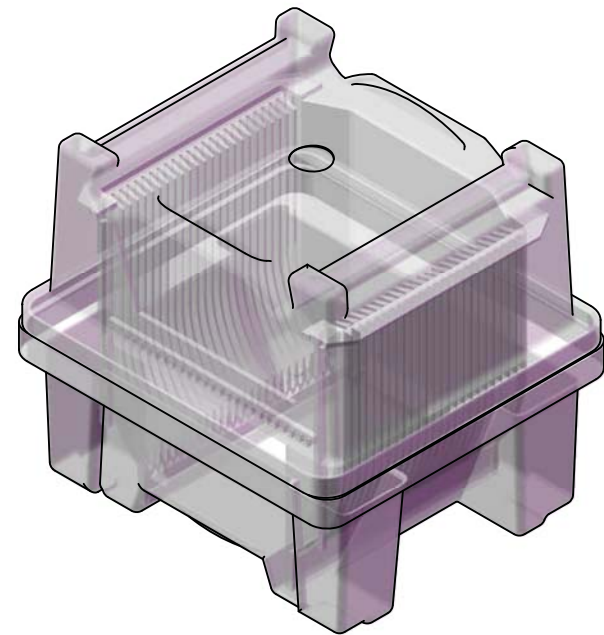


EXPLODED VIEW

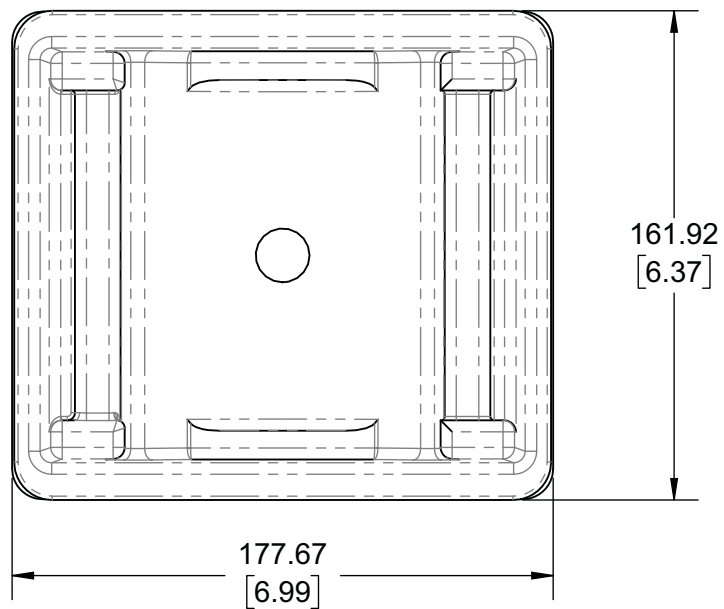


ASSEMBLED

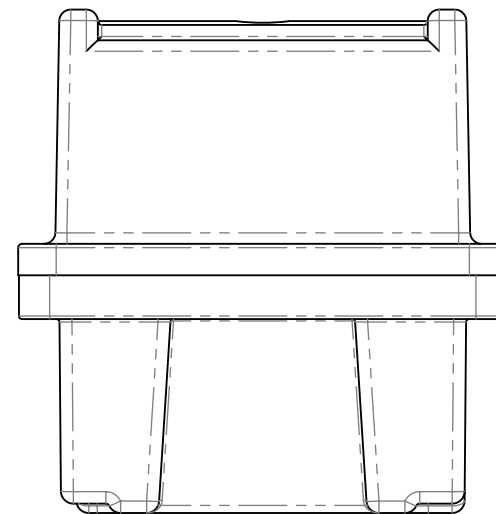


APPROVALS	DATE	TopLine®			
DRAWN T. Au	03/19/2018				
ENG M. Hart	03/19/2018	TITLE 125mm WAFER BOX 5-INCH CASSETTE			
MFG		SCALE	SIZE	DRAWING NO.	REV
QA		1:1	A	912528	A
CUST		DO NOT SCALE DRAWING			SHEET 1 OF 2
REVISED					

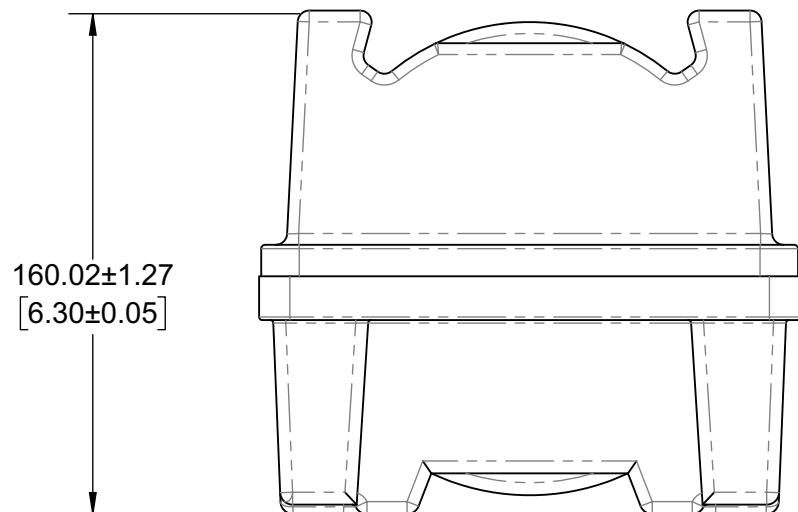
TOP



END



SIDE



TopLine[®]

TITLE 125mm WAFER BOX
5-INCH CASSETTE

SCALE 1:2.5	SIZE A	DRAWING NO. 912528	REV A
----------------	-----------	-----------------------	----------

DO NOT SCALE DRAWING

SHEET 2 OF 2