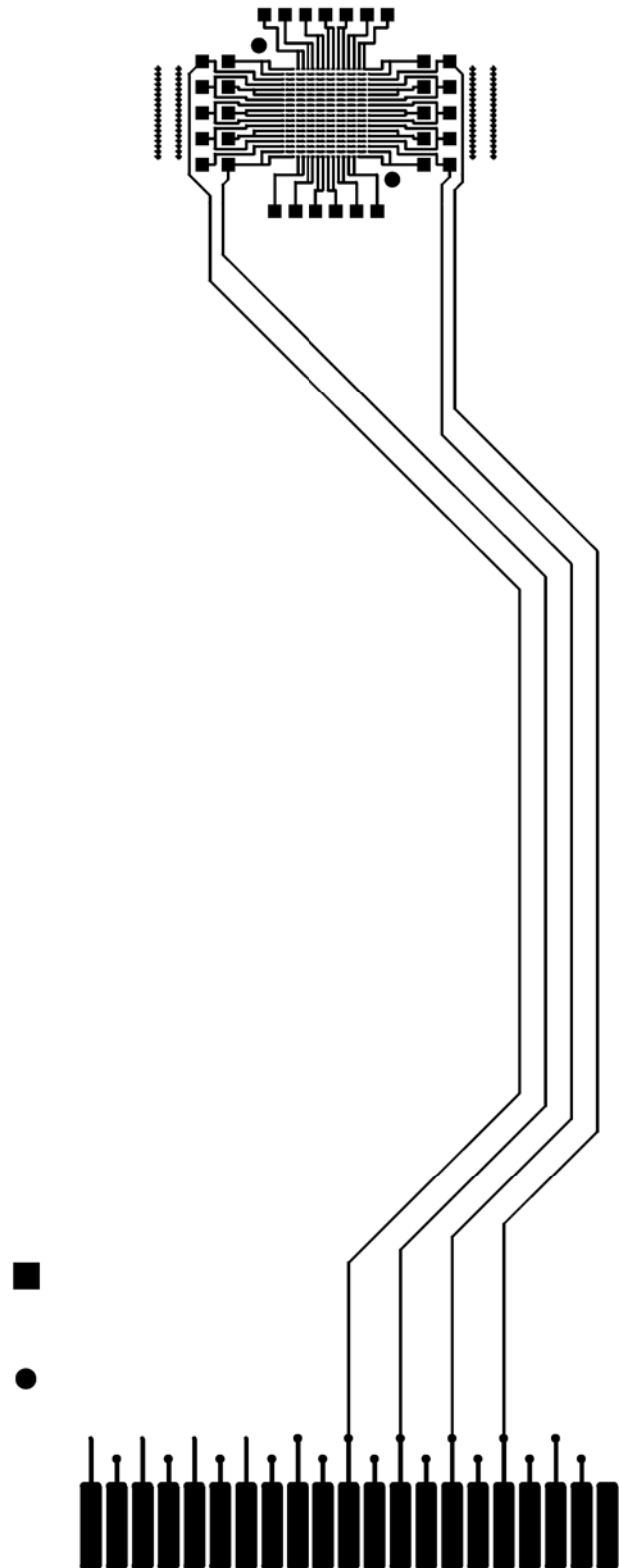
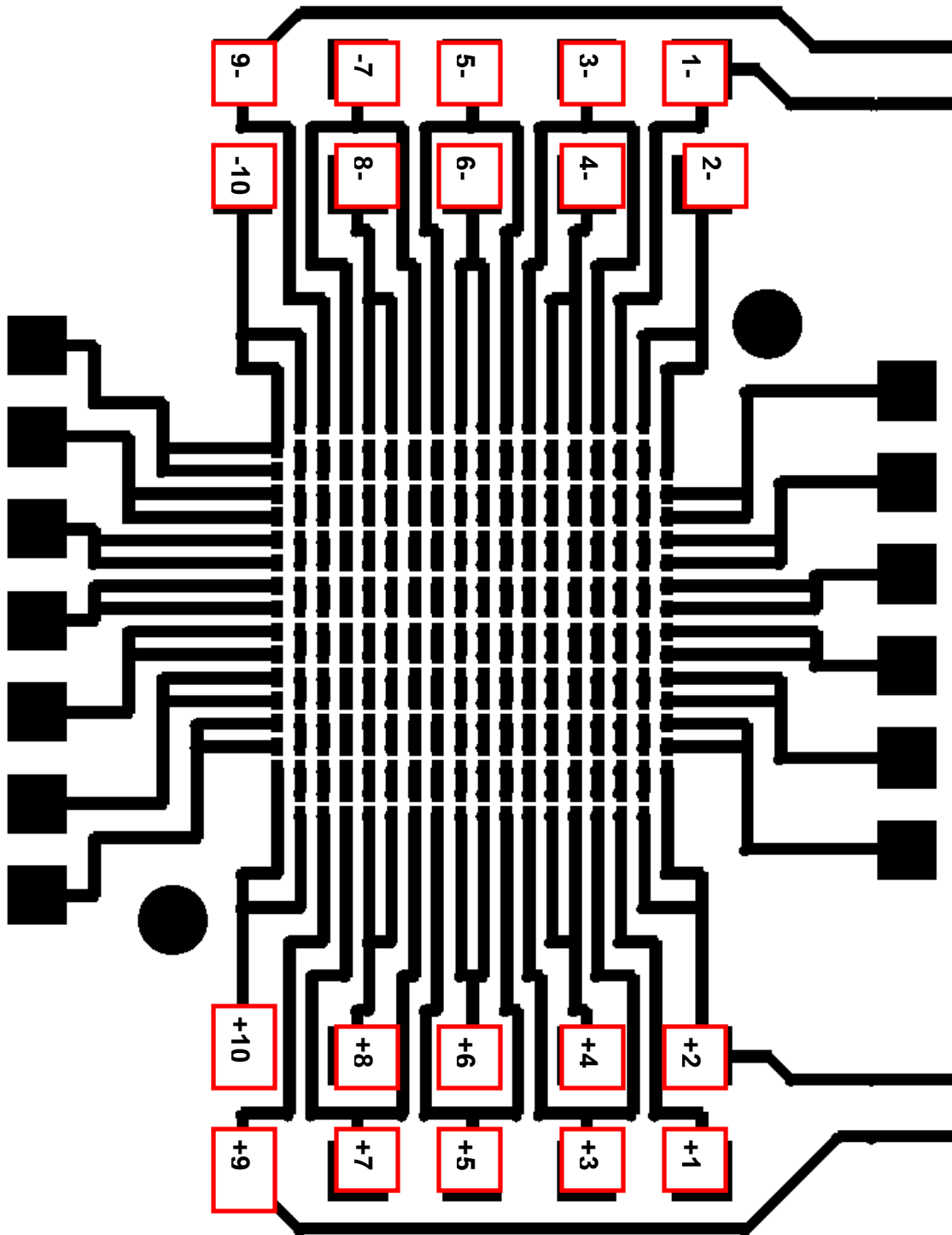


A



Circuit Before Mounting Flip Chip to PCB



Circuit After Mounting Flip Chip to PCB

